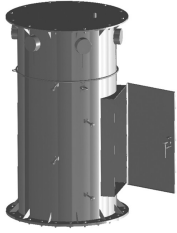


WT-SPM14-B



Stackable Pod Mount Assembly, 3-sector platform, 14 ft face; plain end pipe not included

Product Classification

Product Type Water tower mount

General Specifications

Mounting Hatch plate

Pipe, quantity 0

Sectors, quantity 3

Dimensions

Height 2,133.6 mm | 84 in

Face Width 4.42 m | 14.5 ft

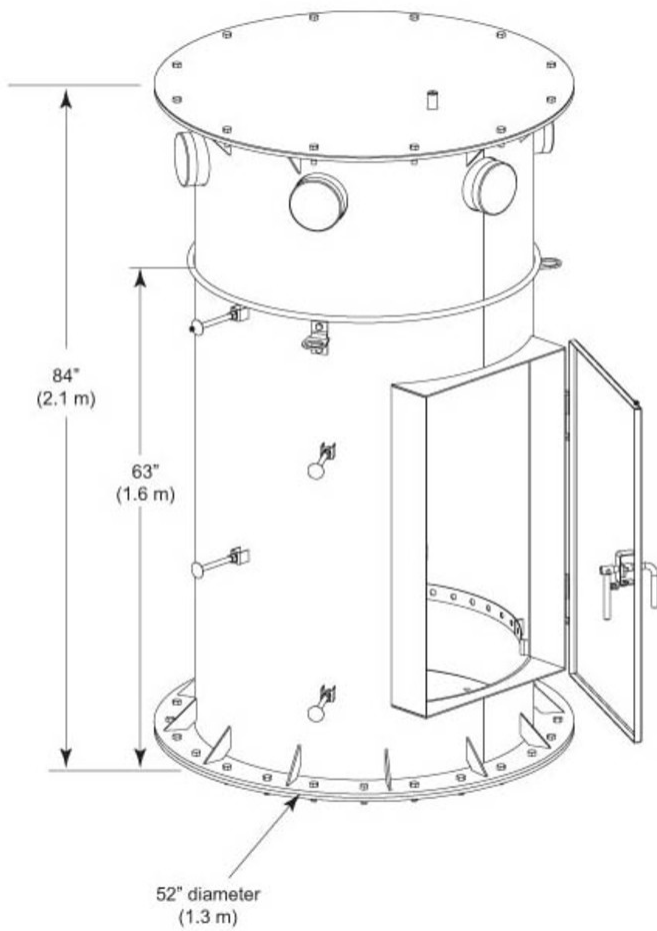
Width 4,419.6 mm | 174 in

Length 4,419.6 mm | 174 in

Compatible Diameter 1,219.2 mm | 48 in

WT-SPM14-B

Outline Drawing



Material Specifications

Material Type Hot dip galvanized steel

Packaging and Weights

Included Mount | Platform

Packaging quantity 1

Weight, net 1,199.979 kg | 2,645.5 lb

Regulatory Compliance/Certifications

Agency **Classification**

WT-SPM14-B

ISO 9001:2015

Designed, manufactured and/or distributed under this quality management system

Included Products

- MC-RM3060-3 - Universal Ring Mount, 30 in to 60 in OD
- MT-196 - Low Profile Co-location Base Platform, 12 ft face. Ring Mount & Antenna Pipes Sold Separately.
- WT-SPM-B - Stackable Pod Mount Assembly, platform and plain end pipe not included