



Installation Instruction for CMAX-O-43-UWI53



CMAX-O-43-UWI53

Document Number: M0153AMA

Document Revision: 00

Date: February 2024

DISCLAIMER:

This document has been developed by CommScope, and is intended for the use of its customers and customer support personnel. The information in this document is subject to change without notice. While every effort has been made to eliminate errors, CommScope disclaims liability for any difficulties arising from the interpretation of the information contained herein. The information contained herein does not claim to cover all details or variations in equipment, nor to provide for every possible incident to be met in connection with installation, operation, or maintenance. This document describes the performance of the product under the defined operational conditions and does not cover the performance under adverse or disturbed conditions. Should further information be desired, or should particular problems arise which are not covered sufficiently for the purchaser's purposes, contact CommScope.

CommScope reserves the right to change all hardware and software characteristics without notice.

COPYRIGHT:

© Copyright 2024 CommScope Inc. All Rights Reserved.

This document is protected by copyright. No part of this document may be reproduced, stored in a retrieval system, or transmitted, in any form or by any means, electronic, mechanical photocopying, recording, or otherwise without the prior written permission of CommScope.

TRADEMARKS

All trademarks identified by ® or ™ are registered trademarks or trademarks, respectively, of CommScope. Names of products mentioned herein are used for identification purposes only and may be trademarks and / or registered trademarks of their respective companies.

Andrew Wireless Systems GmbH, 07-February-2024

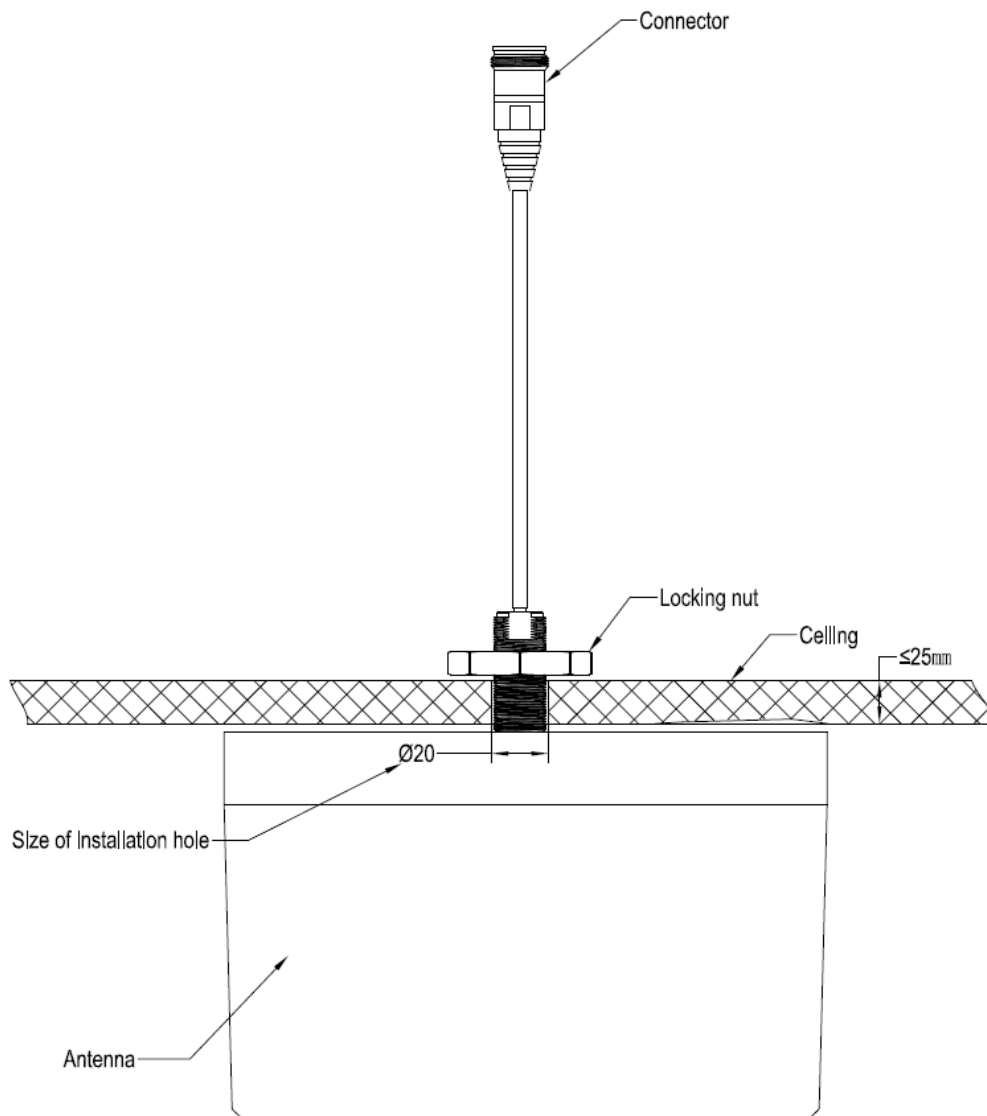
TABLE OF CONTENTS

1. INSTALLATION PROCEDURE	4
2. CONTACTING COMMSCOPE	5
2.1. DAS AND SMALL CELL TECHNICAL SUPPORT	5
2.2. WASTE ELECTRICAL AND ELECTRONIC EQUIPMENT RECYCLING	5
2.3. DAS AND SMALL CELL TECHNICAL TRAINING	6
2.4. ACCESSING COMMSCOPE USER DOCUMENTATION	6

1. Installation Procedure

Notes:

- Please read the complete description before starting the installation. Be sure that connectors are properly sealed from water if no cables are connected to them after installation.
- Observe that the cable has a max. bending radius of 40 mm.



Installation Steps

- 1) Cut a hole in the ceiling with the diameter shown above.
- 2) Remove the locking nut from the back of the antenna (labeled “Locking nut” in the diagram above).
- 3) Feed the pigtail of the antenna through the hole in the ceiling.
- 4) Reinstall the locking nut so that it is firmly seated on the ceiling.

2. Contacting CommScope

The following sections tell you how to contact CommScope for additional information or for assistance.

2.1. DAS and Small Cell Technical Support

The following sections tell you how to contact the DAS and Small Cell Technical Support team. Support is available 7 days a week, 24 hours a day.

Telephone Helplines

Use the following Helpline telephone numbers to get live support, 24 hours a day:

24x7	+1 888-297-6433 (Toll free for U.S. and Canada)
EMEA 8:00-17:00 (UTC +1)	+ 800 73732837 (Toll free for parts of EMEA and Australia) + 49 909969333 (Toll charge incurred)

Calls to an EMEA Helpline outside of the 8:00 to 17:00 time frame will be forwarded to the 24x7 Helpline.

Online Support

To go to the CommScope **Wireless Support Request** web site from which you can initiate a Technical Support ticket, do one of the following:

- Scan the QR Code to the right.
- If viewing this document online as a PDF, click on the following URL link:
- <http://www.commscope.com/wisupport>
- Enter the preceding URL into your web browser, and then press **ENTER** on your keyboard.



2.2. Waste Electrical and Electronic Equipment Recycling

Country specific information about collection and recycling arrangements per the Waste Electrical and Electronic Equipment (WEEE) Directive and implementing regulations is available on CommScope's website. To access information on the CommScope recycling program, do any of the following:

- Scan the QR Code to the right.
- If viewing this document online as a PDF, click on the following URL link:
- <http://www.commscope.com/corporate-responsibility-and-sustainability/environment/weee-customer-recycling/>
- Enter the preceding URL into your web browser, and then press **ENTER** on your keyboard.



2.3. DAS and Small Cell Technical Training

1. To access training on the online technical training site, please use the following web address or scan the QR code to the right:
<https://commscopeuniversity.com>
2. Once you have logged in, you can search for training by typing search words in the **Search** bar or by going to the Catalog page to view the available courses.
3. Instructor-led courses are conducted in North America and Europe. Before choosing a course, please verify the region.
4. For training related questions, please contact us:
icn_training@commscope.com



2.4. Accessing CommScope User Documentation

1. Access to the Customer Portal requires a user account. If you don't have an account:
 - Visit My CommScope at <https://www.mycommscope.com>.
 - Click New user registration and follow the prompts.
 - After you've registered in My CommScope, click the Request Additional Access button and select the DAS and Small Cell Customer Portal from the list of applications.
2. Scan the QR Code to the right to go directly to the CommScope DAS and Small Cell Customer Portal, where you can access the DAS and Small Cell user documentation.

Alternatively, you can go to the following web address to access the portal:
<https://www.commscope.com/membership>
3. In Tools and Documentation, search by product, document category, or title.
4. Click on the title of any document to open it.

