

FOSC-650

Base Product



FOSC650 Fiber Optic Splice Closures

- Single-ended base with four-latches dome design and reliable cable attachment system
- There are 3 cable segments: 2 for use with the small gel seal blocks/entrance ports and 1 for use with the large gel seal blocks/entrance ports
- Fully removable base for easy cable access during installation and provisioning
- Superior gel sealing technology incorporated in interchangeable and fully wrap around gel segments
- Compatible with a wide range of fiber cable sizes and types

Product Classification

Regional Availability	Latin America North America
Product Type	Single-ended, square fiber closure
Product Brand	FOSC®

General Specifications

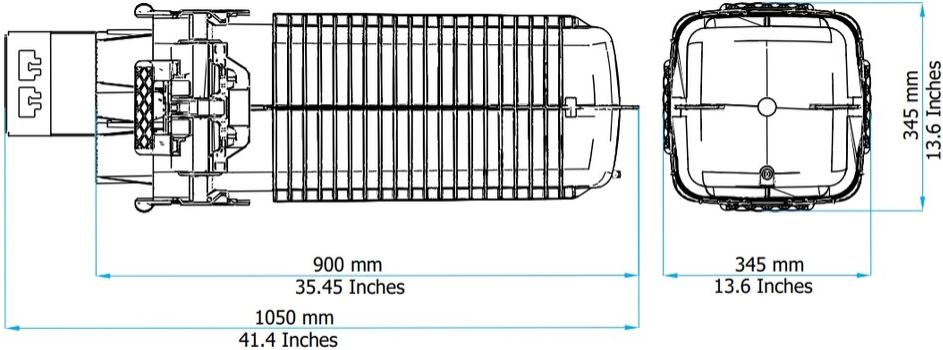
Cable Entry Drop Port Style	Gel block
Cable Entry Main Port Style	Gel block
Cable Ports Quantity, total	3 multi-out ports (12 cables)
Cable Sealing Type	Compressed gel
Closure Sealing Type	Over-centered latches with rubber gasket
Closure Style	Single-ended
Color	Black
Mounting	Pole Strand Wall
Network Area Type	Feeder Trunk
Splicing Type, Supported	Mass fusion Single fusion

Dimensions

Height	345.44 mm 13.6 in
Width	345.44 mm 13.6 in
Length	900.43 mm 35.45 in
Length, with trigger	1,050.29 mm 41.35 in
Main Cable Diameter, maximum	40.64 mm 1.6 in

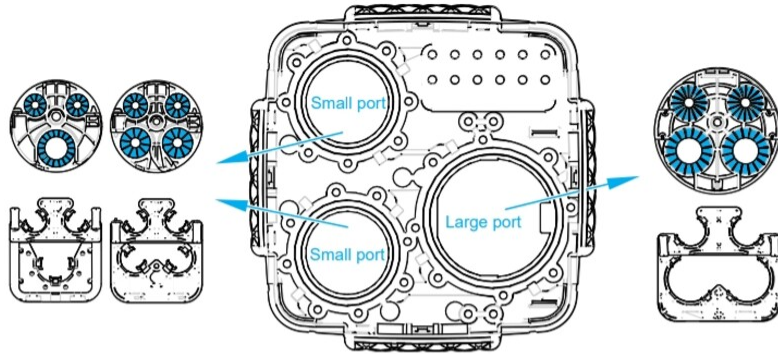
FOSC-650




Dimension Drawing



Port Configuration

FOSC-650



Gel Seals	Upper -Small Ports-		Lower -Large Ports-	
	# Ports	Cable Outside Diameter Min. - Max.	# Ports	Cable Outside Diameter Min. - Max.
Small 3-way 	2	8 - 20 mm 0.32 - 0.79 inch	1	25 - 35 mm 1.0 - 1.38 inches
Small 4-way 	2	8 - 22 mm 0.32 - 0.87 inch	2	10 - 28 mm 0.39 - 1.1 inches
Large 4-way 	2	18 - 25 mm 0.7 - 1.0 inch	2	25 - 40 mm 1.0 - 1.6 inches

Material Specifications

Material Type Rugged polymer

Environmental Specifications

Environmental Space Below ground | Buried

Qualification Standards IEC 60529, IP68 + 5 m waterhead

Packaging and Weights

Packaging quantity 1

Packaging Type Box | Carton

Regulatory Compliance/Certifications

FOSC-650

Agency

ISO 9001:2015

**Classification**

Designed, manufactured and/or distributed under this quality management system