

4

3

2

1

1.0 GENERAL NOTES

- 1.1 ALL METRIC DIMENSIONS ARE IN BRACKETS [X.X]
- 1.2 FEATURES CRITICAL TO QUALITY ARE INDICATED IN ROUNDED BOX (X.X)
- 1.3 3D DIGITAL FILES ARE FOR REFERENCE. IN CASE OF CONFLICT FOLLOW PDF DRAWING.

2.0 DESIGN NOTES

- 2.1 MAXIMUM EQUIPMENT WEIGHT PER MOUNTING BRACKET = 50KG (110 LB)
- 2.2 BOLTS/NUTS/WASHERS USE TO ATTACH INTERFACE BRACKET TO RADIO ARE TO BE PER RADIO MANUFACTURERS SPECIFICATIONS INCLUDING TORQUE.
- 2.3 3/8" BOLTS/NUTS/WASHERS USE TO ATTACH ADAPTER PLATE TO MOUNTING BRACKET (TORQUE = 44 NM)  
ONLY FOUR 3/8" BOLTS/NUTS/WASHERS REQUIRED PER BRACKET TO MOUNT TO RR-FA2

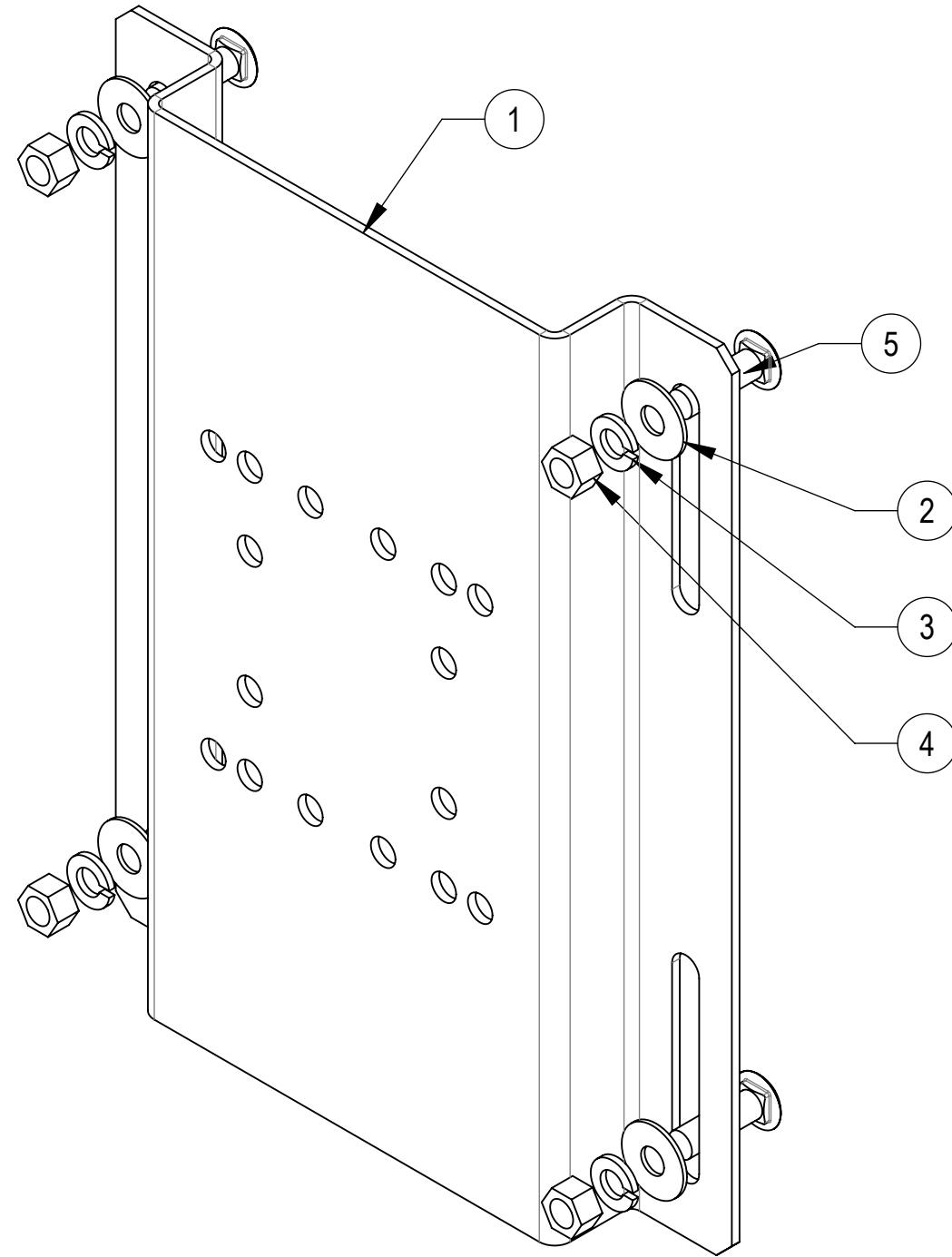
3.0 MANUFACTURING/SPECIAL REQUIREMENTS

4.0 TEST

5.0 PACKAGING

- 5.1 PACKAGING SHALL MEET COMMSCOPE REQUIREMENTS PER DOCUMENT IS-PL-3005.
- 5.2 PRINTED DOCUMENT TO BE PLACED INSIDE POLYBAG AND THEN IN SHIPPING CONTAINER.
- 5.3 EXTRA HARDWARE MAY BE SUPPLIED, BAGGED AND SHIPPED.

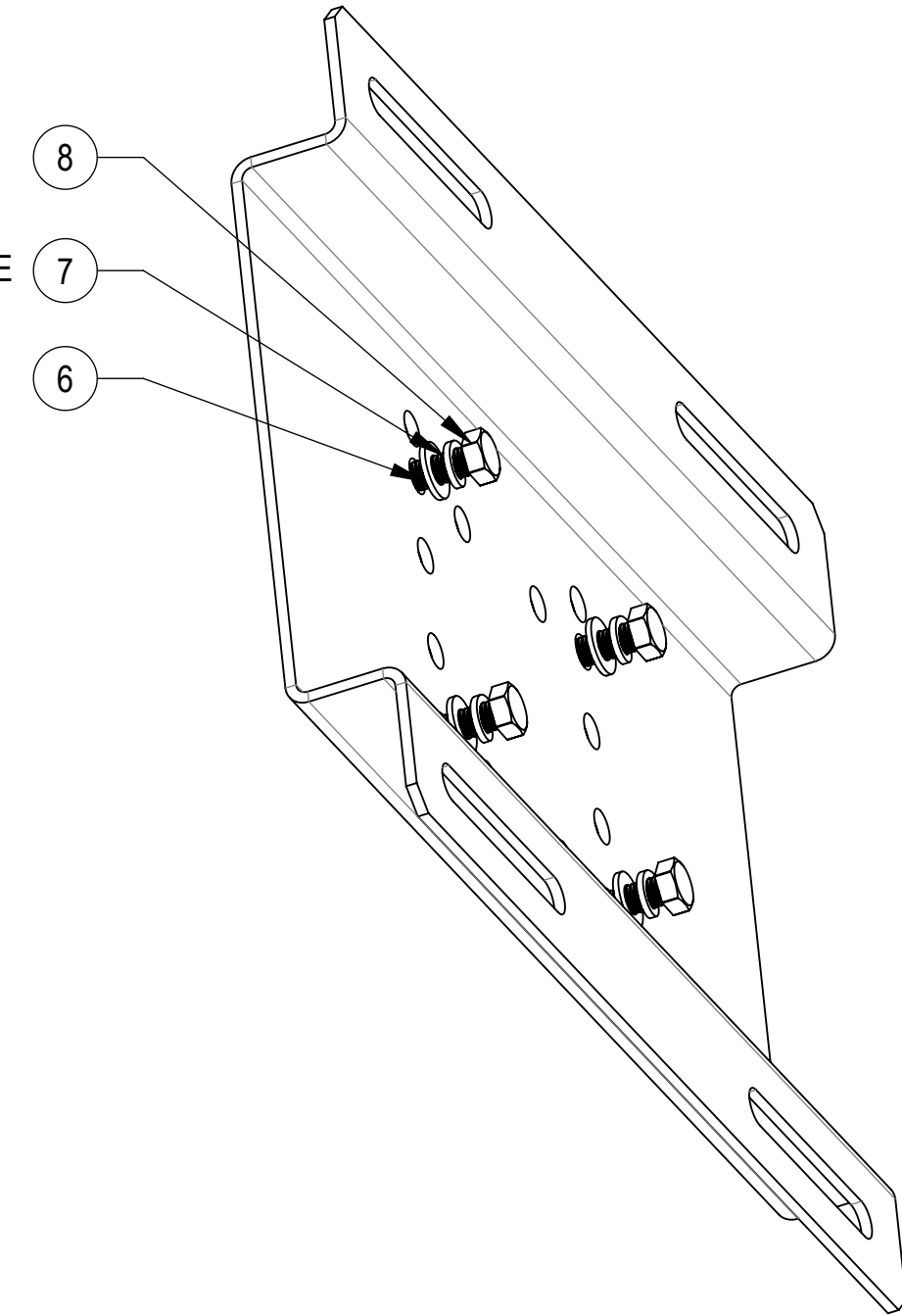
REVISIONS			
REV.	DESCRIPTION	DATE	APPROVED
A	INITIAL RELEASE	TN1010 06FEB24	TN1010
B	UPDATED VIEWS FOR MTM101721-510-00 (ITEM 1) CHANGES	JL1183 15MAR24	YZ1080 40191193CMO
C	UPDATED VIEWS FOR MTM101721-510-00 (ITEM 1) CHANGES	YMENG 19APR24	YZ1080 40193886CMO



BRACKET MOUNTING HARDWARE  
2.3

(ONE SIDE HIDDEN FOR CLARITY)

RADIO MOUNTING HARDWARE  
2.2



COMPONENT PART NUMBERS PROVIDED FOR ASSEMBLY PURPOSES;  
INDIVIDUAL COMPONENTS MAY BE SHIPPED AS PARTS WITHIN AN INCLUDED KIT.

ITEM NO.	PART NUMBER	DESCRIPTION	WEIGHT	QTY.	NOTE NO.
1	MTM101721-510-00	BRACKET, ADAPTER MOUNTING, RR-FAX	5.25 LBS	2	
2	GW-03	3/8" FLAT WASHER	0.01 LBS	8	2.3
3	GWL-03	3/8" GALV LOCK WASHER	0.01 LBS	8	2.3
4	GN-03	3/8" GALV HEX NUT	0.02 LBS	8	2.3
5	MTC8196	3/8 X 1-1/4" CARRIAGE BOLT	0.05 LBS	8	2.3
6	MTC9419	M8 FLAT WASHER SS	0.00 LBS	8	2.2
7	MTC9418	M8 LOCK WASHER SS	0.002 LBS	8	2.2
8	MTC9415	M8 X 25mm HEX BOLT SS	0.03 LBS	8	2.2

DENSITY		lbs/in <sup>3</sup>
MASS	11.49	lbs
VOLUME	40.41	in <sup>3</sup>
SURFACE AREA	690.60	in <sup>2</sup>
HEIGHT	10.00"	
LENGTH	12.75"	
WIDTH	1.375"	

COMMSCOPE, INC. OF NORTH CAROLINA												
TOLERANCES						SAP MATERIAL MASTER						
1 PLACE .X ± 0.2[6.3]			3 PLACE .XXX ± 0.060[1.5]			860677769-001						
2 PLACE .XX ± 0.12[3.0]			ANGLES ± 2°									
FINISH						MATERIAL						
UNLESS OTHERWISE SPECIFIED DIMENSIONS ARE IN INCHES INTERPRET PER ANSI Y 14.5M-1994												
		NAME		DATE		TITLE						
		CE TN1010		06FB24		KIT, BRACKET RADIO, RR-FAX ADAPTER						
		RW YMENG		04/26/2024								
		AD YZ1080		04/27/2024								
		RE YMENG		05/05/2024								
ECN 40193886CMO						SCALE		DOCUMENT NO.				
						1:5		860677769-001				
SIZE		Auth Group		INSL		MODEL			DRAWING			SHEET
C		⊕		◁		VERSION			STATUS			REVISION
						02			RE			C
						02			RE			C
1 OF 5												

4

3

2

1

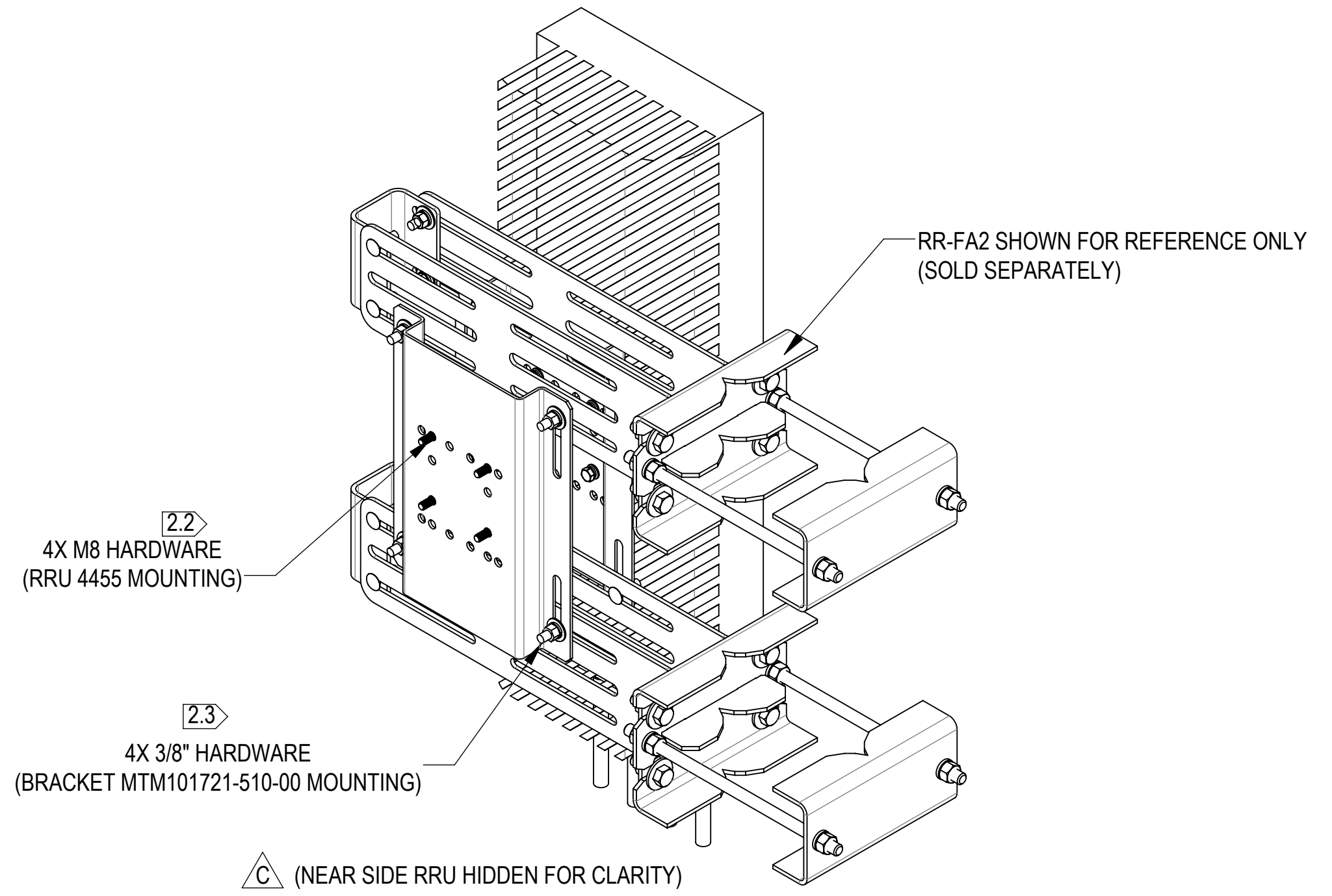
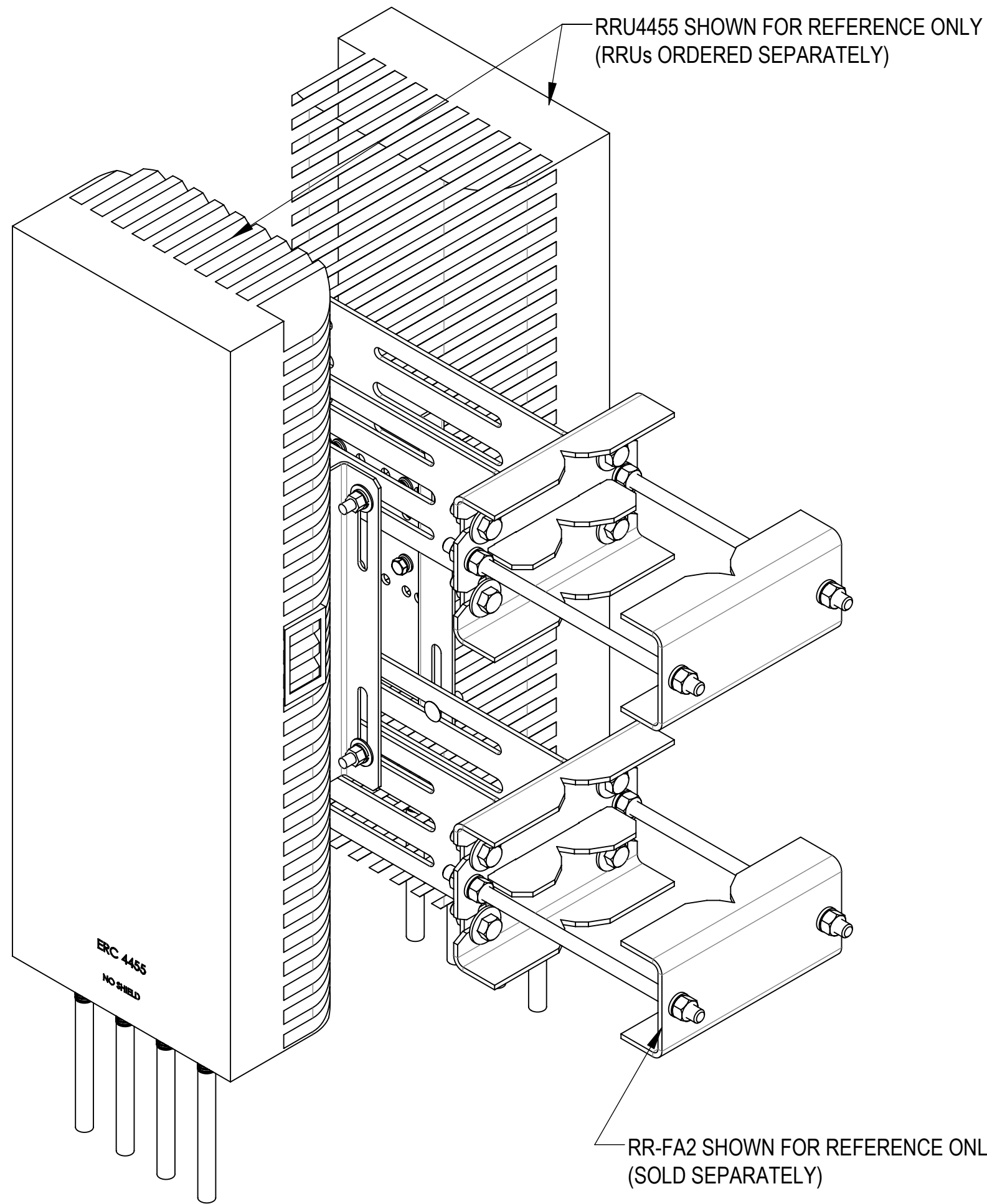
4

3

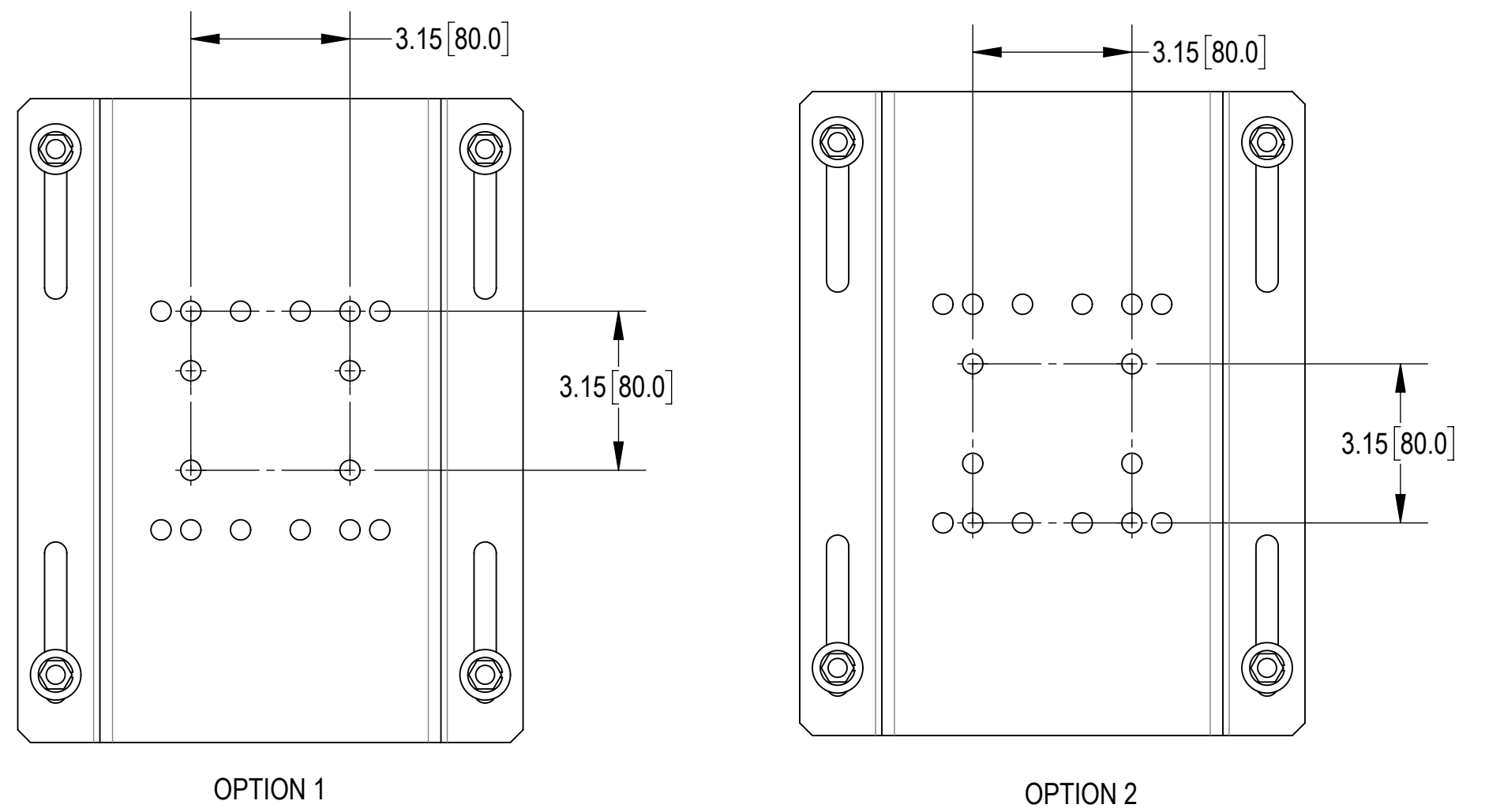
2

1

# BRACKET COMPATIBLE WITH 4455 RADIO/AIR MOUNTING ON RR-FA2



**△ C MOUNT BRACKET MTM101721-510-00 TO RRU FIRST, THEN ATTACH TO RR-FA2**



## MOUNTING HOLES POSITION

COMMSCOPE, INC. OF NORTH CAROLINA				
TITLE KIT,BRACKET RADIO, RR-FAX ADAPTER				
SIZE <b>C</b>	SCALE <b>1:4</b>	DOCUMENT NO. <b>860677769-001</b>		
		DRAWING		SHEET 2 OF 5
		VERSION 02	STATUS RE	

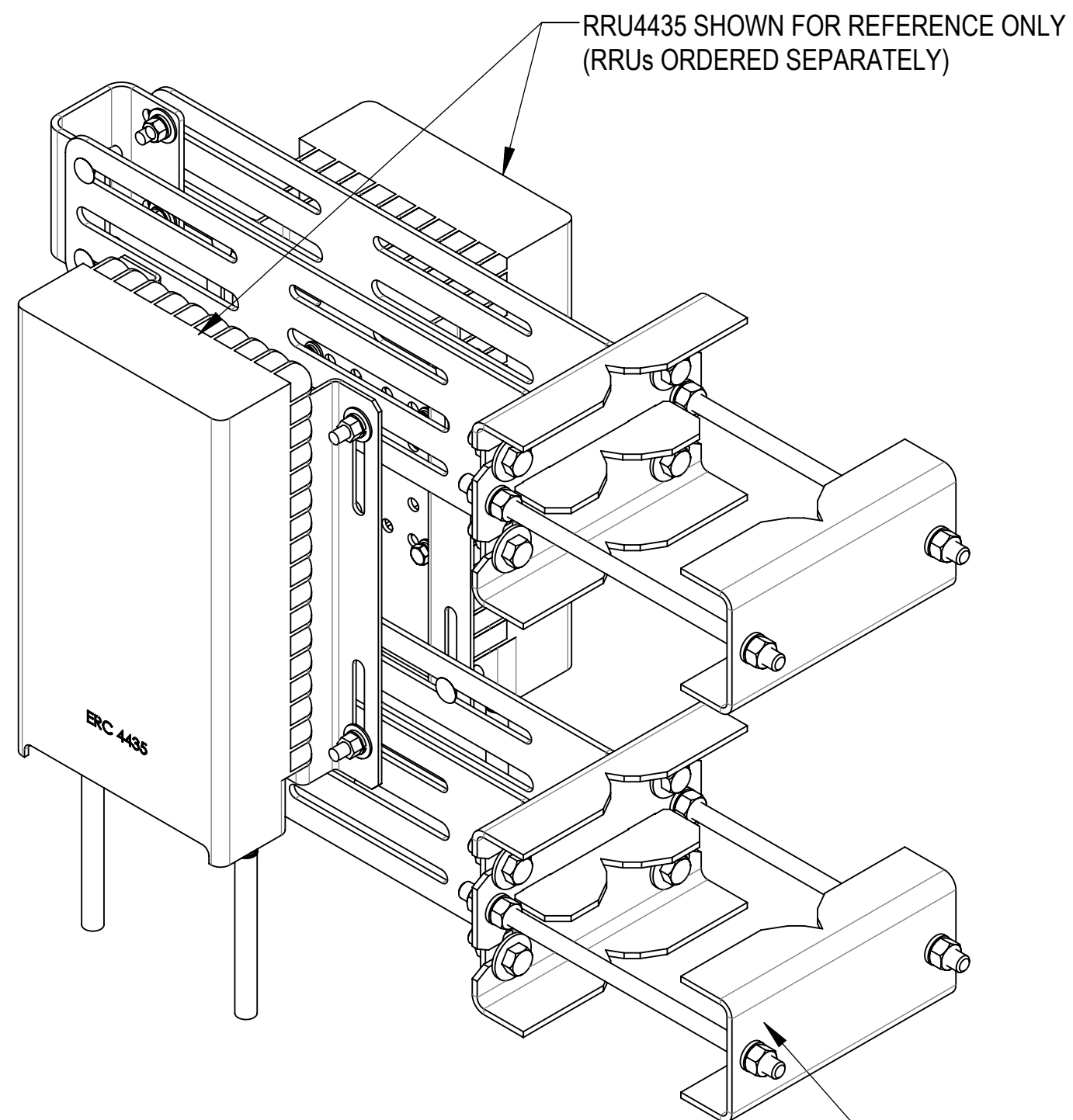
4

3

2

1

BRACKET COMPATIBLE WITH 4435/4460 RADIO, 4435/1281/5322 AIR MOUNTING ON RR-FA2



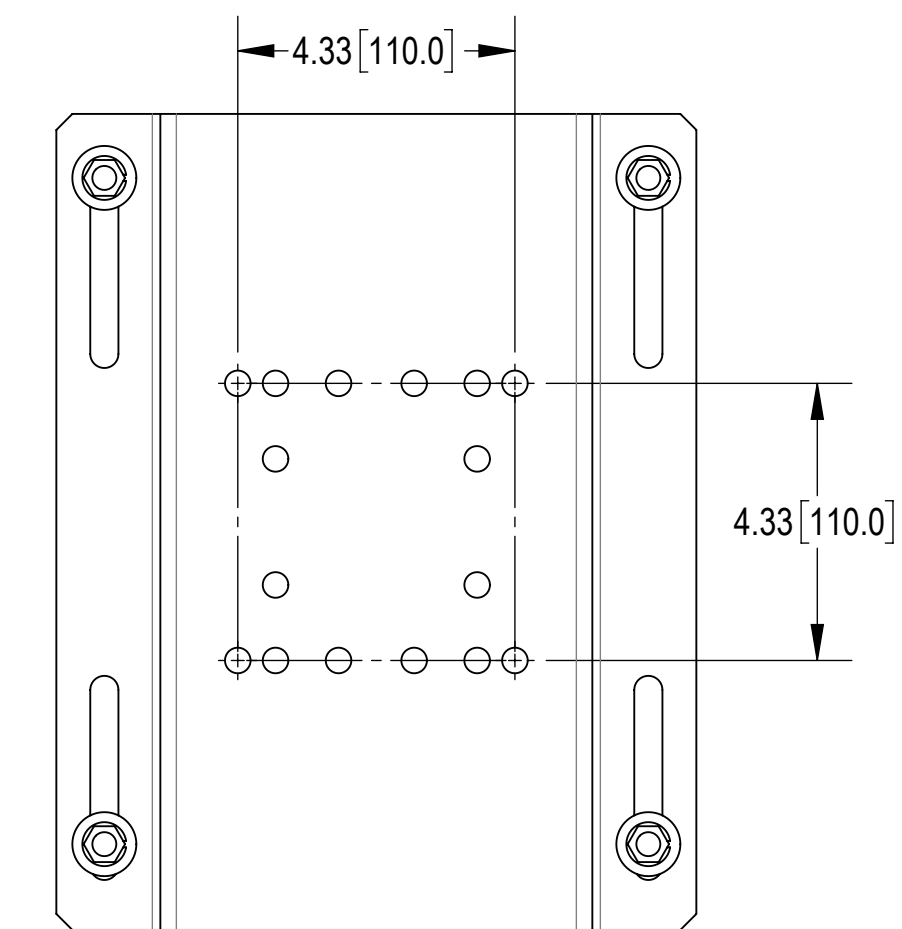
2.2  
4X M8 HARDWARE  
(RRU4435/4460, AIR 4435/1281/5322)

2.3  
4X 3/8" HARDWARE  
(BRACKET MTM101721-510-00 MOUNTING)


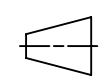
△ (NEAR SIDE RRU HIDDEN FOR CLARITY)

MOUNT BRACKET MTM101721-510-00 TO RRU FIRST, △  
THEN ATTACH TO RR-FA2

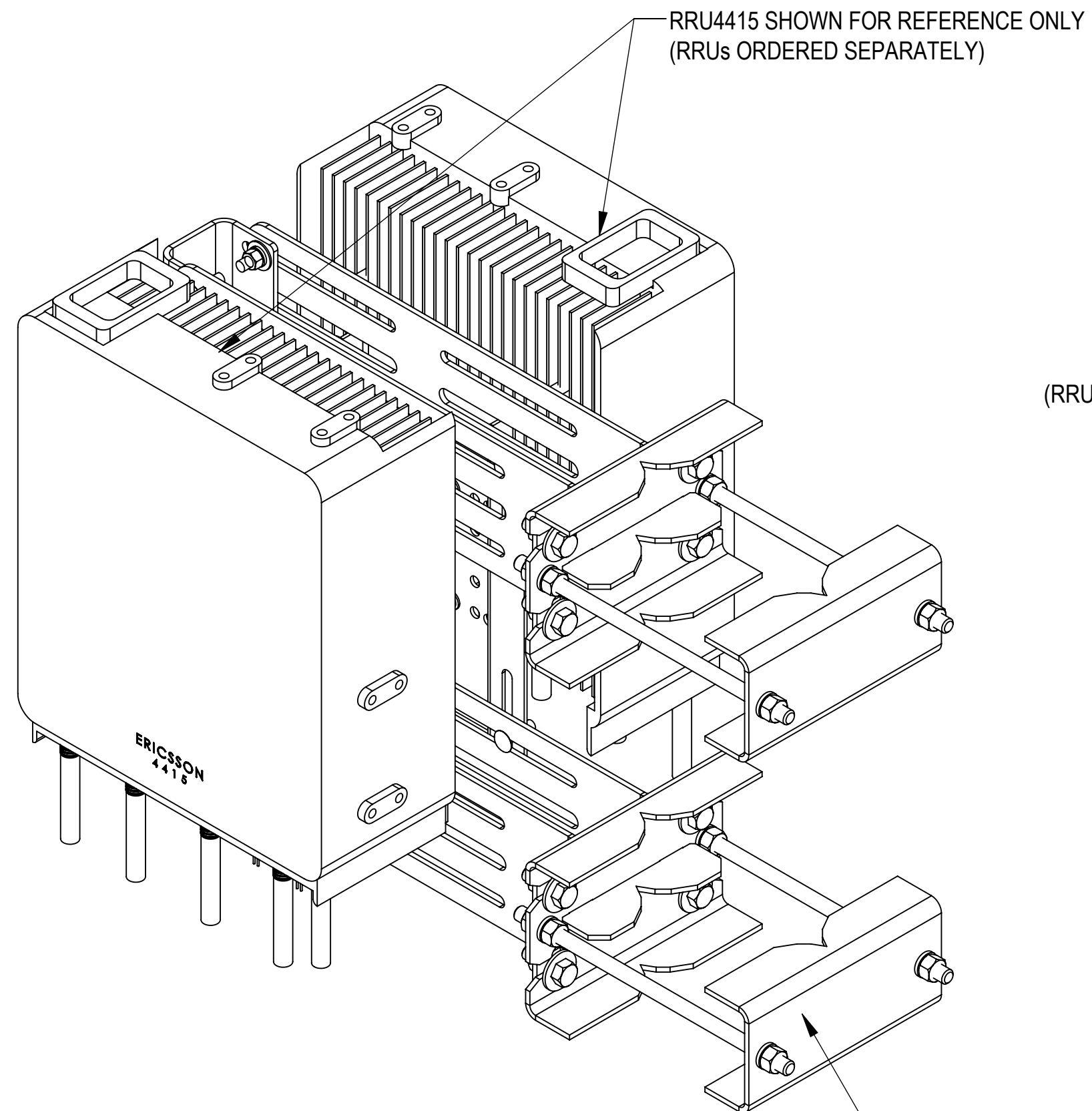
RR-FA2 SHOWN FOR REFERENCE ONLY  
(SOLD SEPARATELY)



MOUNTING HOLES POSITION

COMMSCOPE, INC. OF NORTH CAROLINA				
TITLE KIT,BRACKET RADIO, RR-FAX ADAPTER				
SIZE <b>C</b>	SCALE <b>1:8</b>	DOCUMENT NO. 860677769-001		
DRAWING		VERSION	STATUS	REVISION
 		02	RE	C
				SHEET 3 OF 5

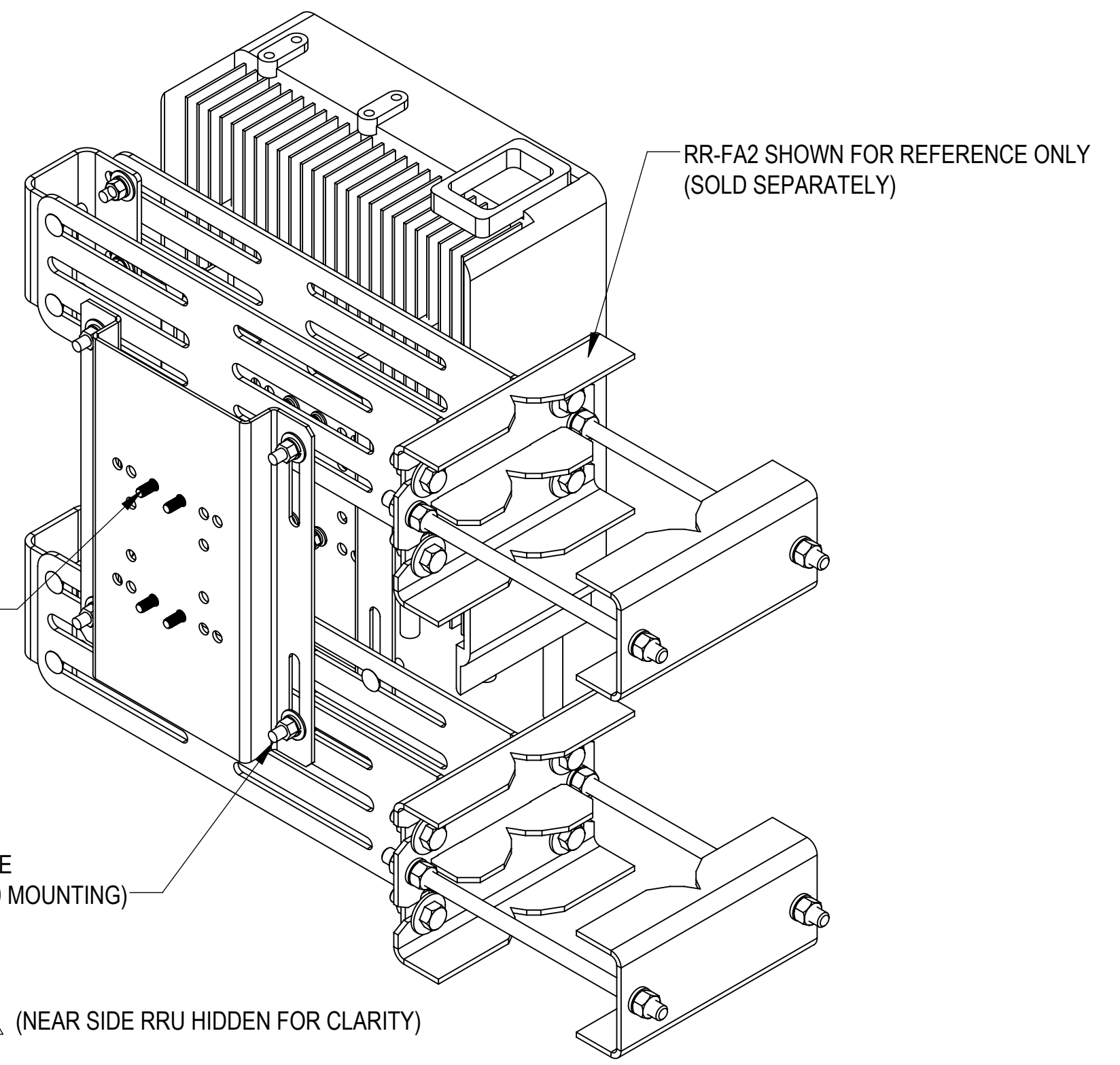
BRACKET COMPATIBLE WITH 4415/4426/4478 RADIO, 6308 POWER MOUNTING ON RR-FA2



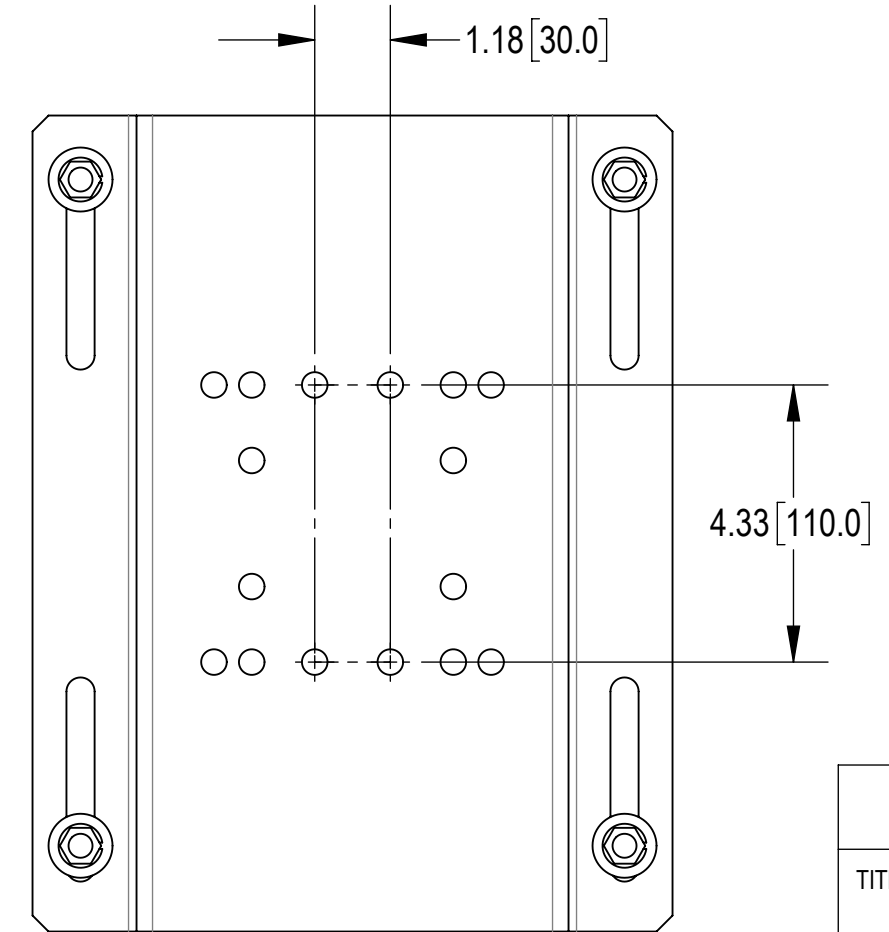
2.2  
4X M8 HARDWARE  
(RRU 4415/4426/4478, POWER 6308 MOUNTING)

2.3  
4X 3/8" HARDWARE  
(BRACKET MTM101721-510-00 MOUNTING)

C (NEAR SIDE RRU HIDDEN FOR CLARITY)



C MOUNT BRACKET MTM101721-510-00 TO RRU FIRST, THEN ATTACH TO RR-FA2



MOUNTING HOLES POSITION

COMMSCOPE, INC. OF NORTH CAROLINA				
TITLE KIT,BRACKET RADIO, RR-FAX ADAPTER				
SIZE C	SCALE 1:4	DOCUMENT NO. 860677769-001		
		DRAWING		SHEET
		VERSION 02	STATUS RE	REVISION C
				4 OF 5

4

3

2

1

# BRACKET COMPATIBLE WITH 4449/4467/4490/4890/8843/8863 RADIO MOUNTING ON RR-FA2

D

D

C

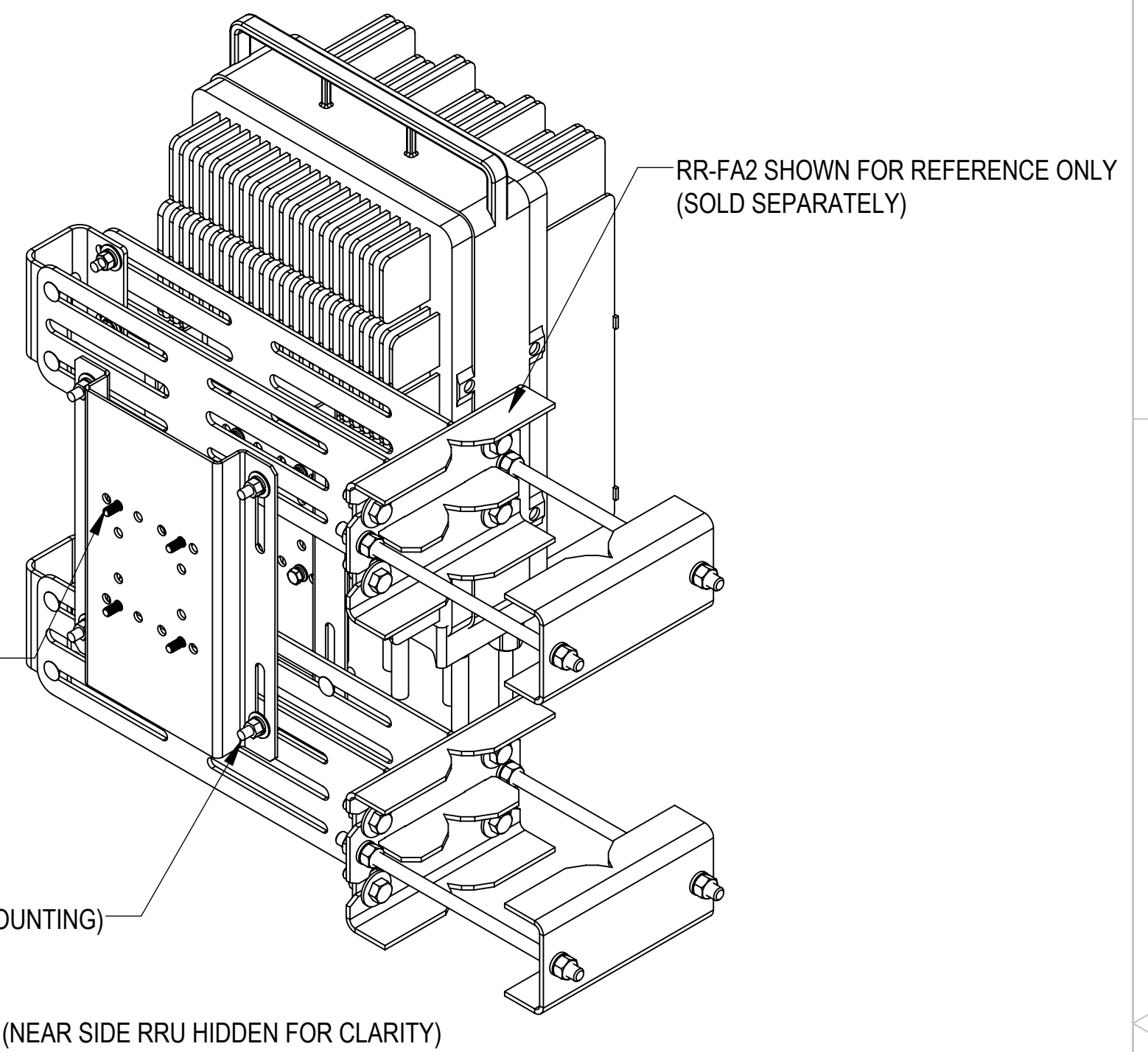
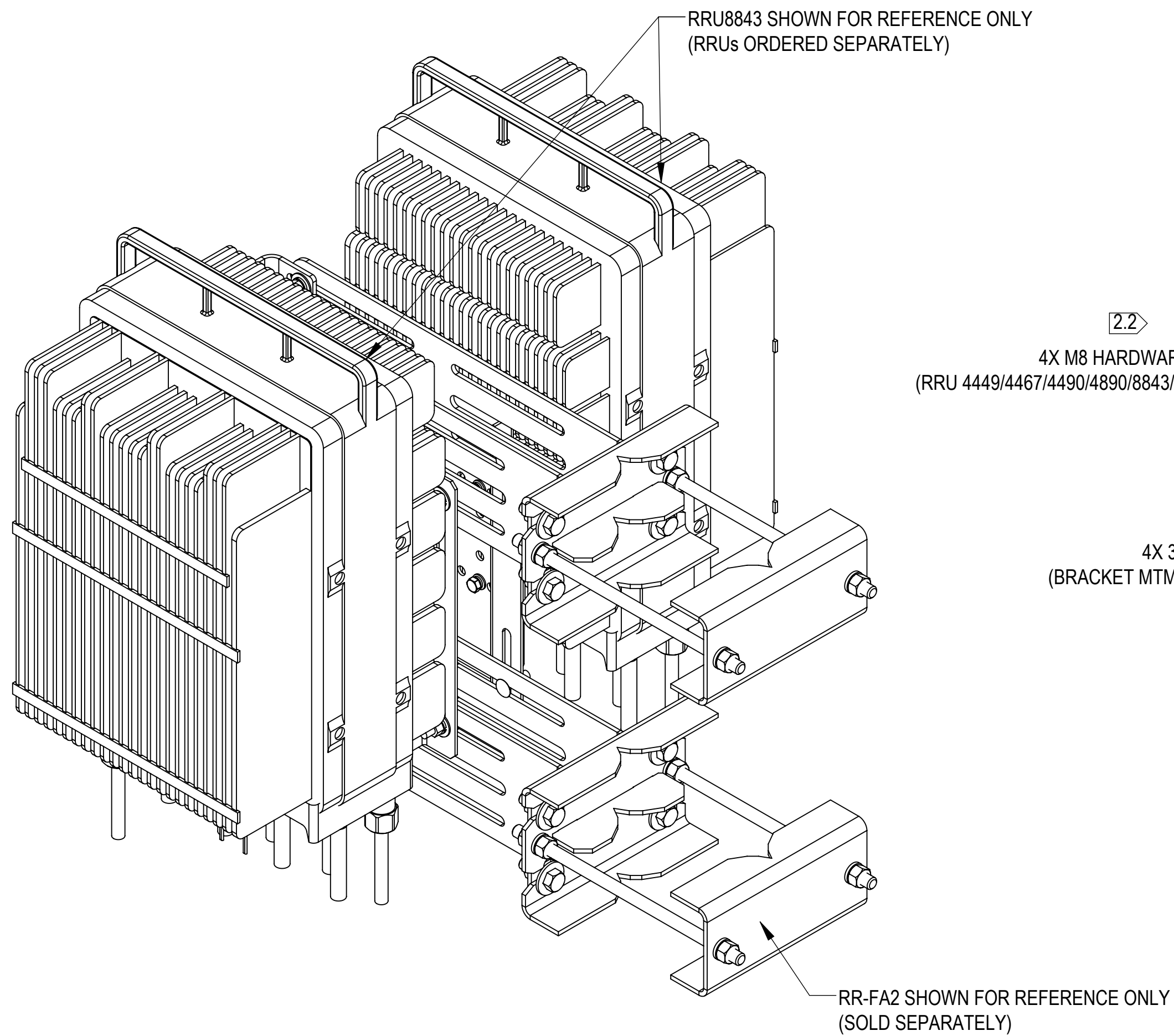
C

B

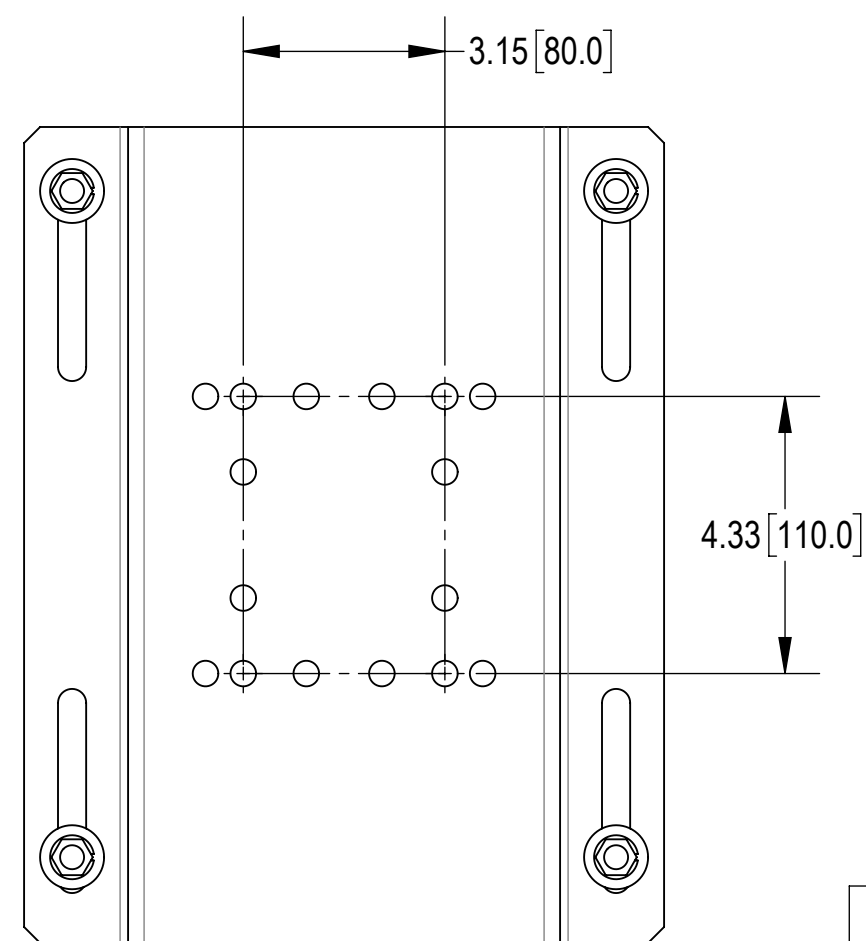
B

A

A



**△** MOUNT BRACKET MTM101721-510-00 TO RRU FIRST,  
THEN ATTACH TO RR-FA2



MOUNTING HOLES POSITION

COMMSCOPE, INC. OF NORTH CAROLINA				
TITLE KIT,BRACKET RADIO, RR-FAX ADAPTER				
SIZE <b>C</b>	SCALE <b>1:4</b>	DOCUMENT NO. 860677769-001		
		DRAWING		SHEET
		VERSION	STATUS	REVISION
		02	RE	C
				5 OF 5

4

3

2

1