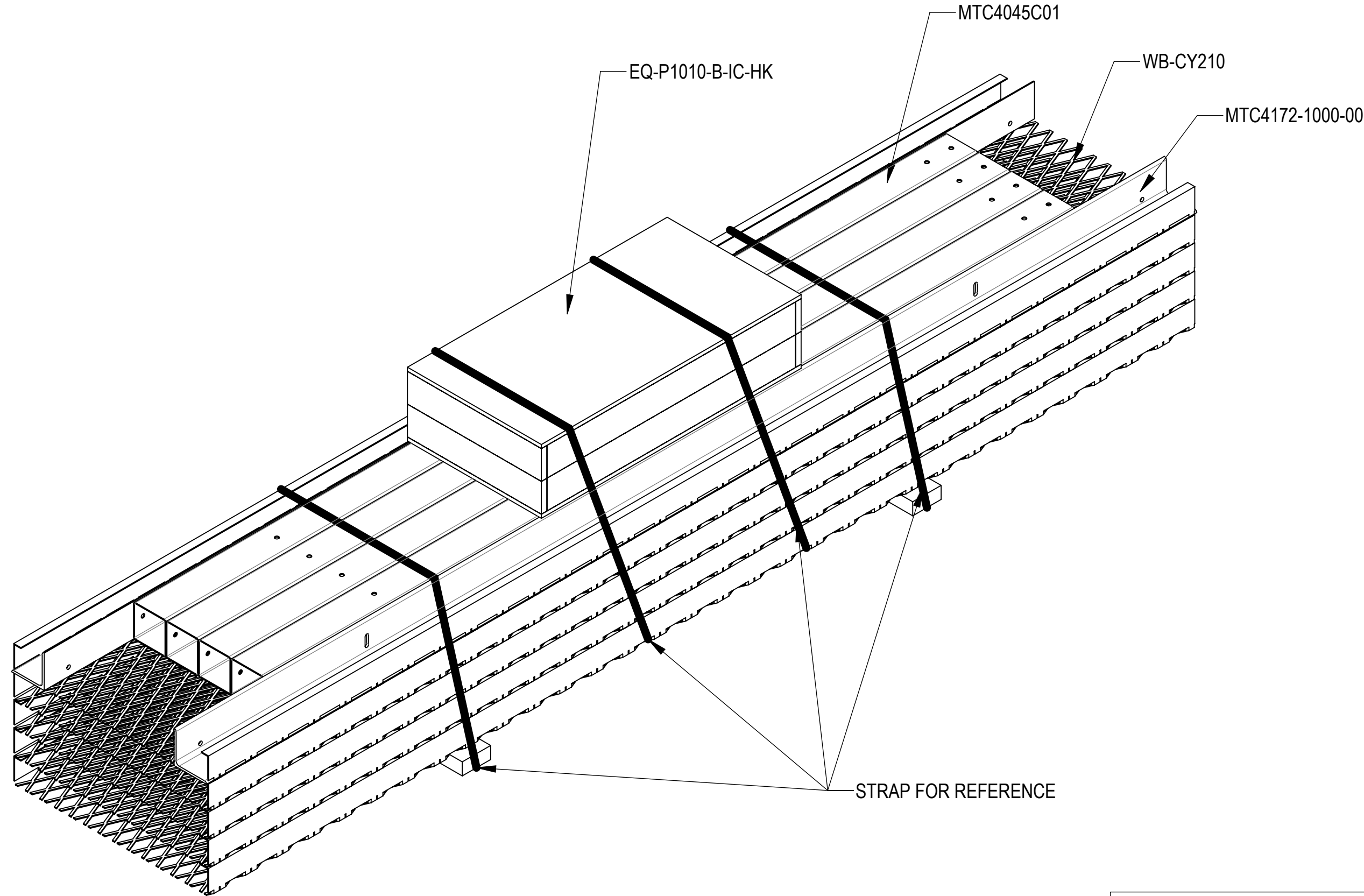


- 1.0 GENERAL NOTES
 1.1 ALL METRIC DIMENSIONS ARE IN BRACKETS [X. X]
 1.2 FOR PATENT INFO: <https://www.cs-pat.com>
- 2.0 DESIGN NOTES
 2.1 ANY HAZARDS OR OBSTRUCTIONS TO THE CLIMBING FACILITY AND SAFETY CLIMB MUST BE IDENTIFIED PRIOR TO INSTALLING THE APPURTENANCE. ADDITIONAL PRODUCTS MAY BE REQUIRED TO MAINTAIN THE INTEGRITY OF THE SAFETY CLIMB. DURING INSTALLATION, TEMPORARY AND/OR PERMANENT PRECAUTIONARY MEASURES SHOULD BE TAKEN TO PRESERVE THE CLIMBING FACILITY AND/OR SAFETY CLIMB.
- 3.0 MANUFACTURING/SPECIAL REQUIREMENTS
 3.1 TIGHTEN ALL BOLTS SECURING FLAT PLATES BY THE TURN-OF-NUT METHOD. TIGHTEN ALL U-BOLTS USING TURN-OF-NUT METHOD WITH ATTENTION TO LEAVE EQUAL DISTANCE AND EQUAL FORCE ON EACH LEG OF THE U-BOLT.
- 4.0 TEST
- 5.0 PACKAGING
 5.1 PACKAGING SHALL MEET COMMSCOPE REQUIREMENTS PER DOCUMENT IS-PL-3005
 5.2 PRINTED DOCUMENT TO BE PLACED INSIDE POLYBAG AND THEN IN SHIPPING CONTAINER
 5.3 EXTRA HARDWARE MAY BE SUPPLIED, BAGGED AND SHIPPED

REVISIONS			
REV.	DESCRIPTION	DATE	APPROVED
A	INITIAL RELEASE	LS1146 11MAR24	YW1047 40190982CMO



COMMSCOPE, INC. OF NORTH CAROLINA											
TOLERANCES						SAP MATERIAL MASTER					
1 PLACE .X[X] ± 0.2[6.3]			3 PLACE .XXX[X] ± 0.060[1.5]			EQ-P1010-B-IC-P					
2 PLACE .XX[X] ± 0.12[3.0]			ANGLES ± 2°								
FINISH						MATERIAL					
UNLESS OTHERWISE SPECIFIED DIMENSIONS ARE IN INCHES INTERPRET PER ANSI Y 14.5M-1994	CE	LS1146	11MAR24	ICE CANOPY FOR EQ-P1010-B							
	RW	LS1146	03/11/2024								
	AD	YW1047	03/12/2024								
	RE	YMENG	03/13/2024								
	ECN	40190982CMO									
SCALE		DOCUMENT NO.									
1:24		EQ-P1010-B-IC-P									
SIZE	Auth Group	INSL	MODEL			DRAWING			SHEET		
C			VERSION	STATUS	REVISION	VERSION	STATUS	REVISION	00	RE	A
			00	RE	A	00	RE	A	1 OF 4		

DENSITY		lbs/in³
MASS	716.12	lbs
VOLUME	2530.88	in³
SURFACE AREA	40941.26	in²
HEIGHT	112.0"	
LENGTH	122.0"	
WIDTH	120.0"	

4

3

2

1

D

D

C

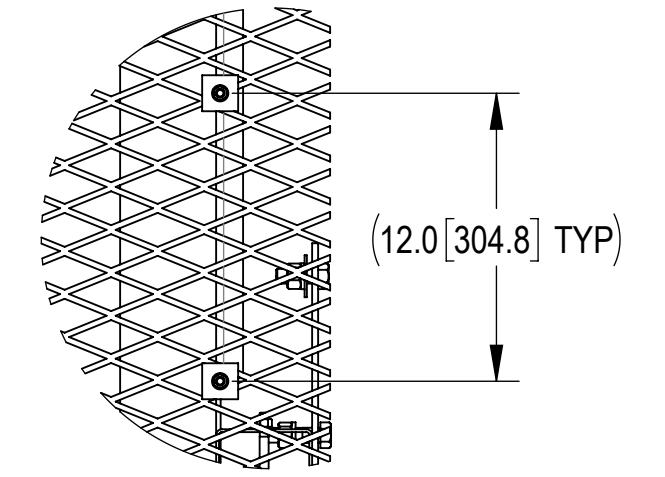
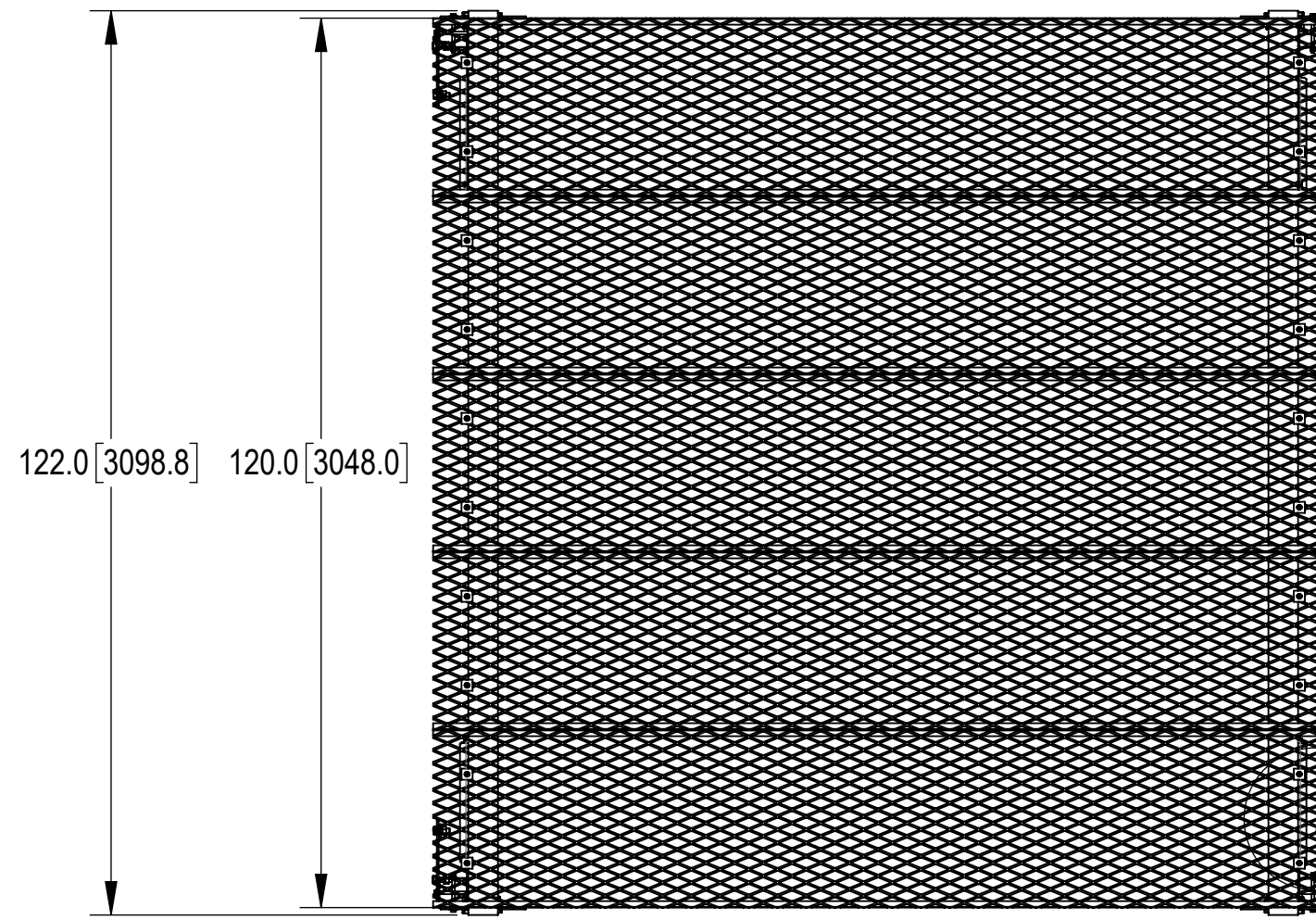
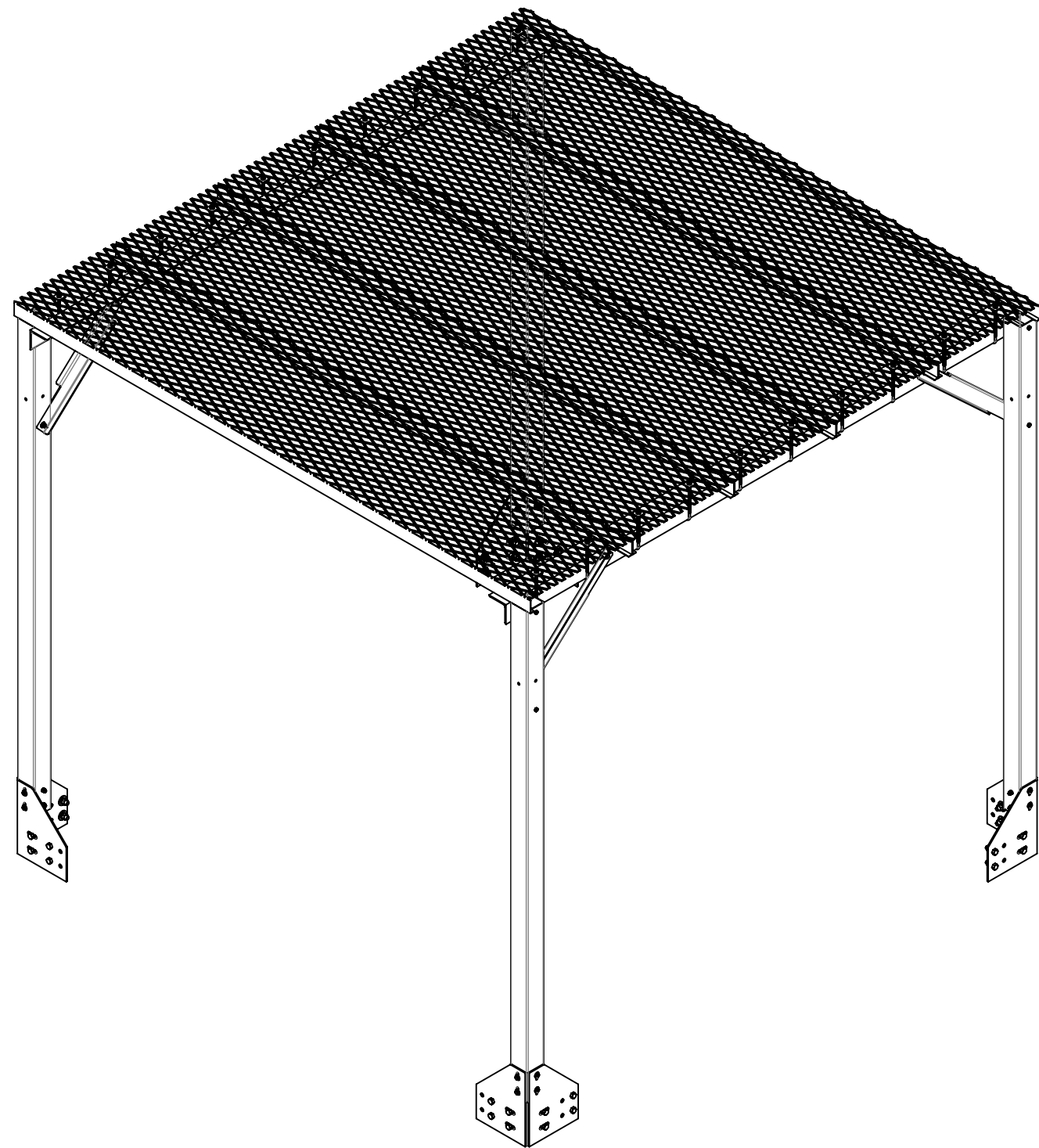
C

B

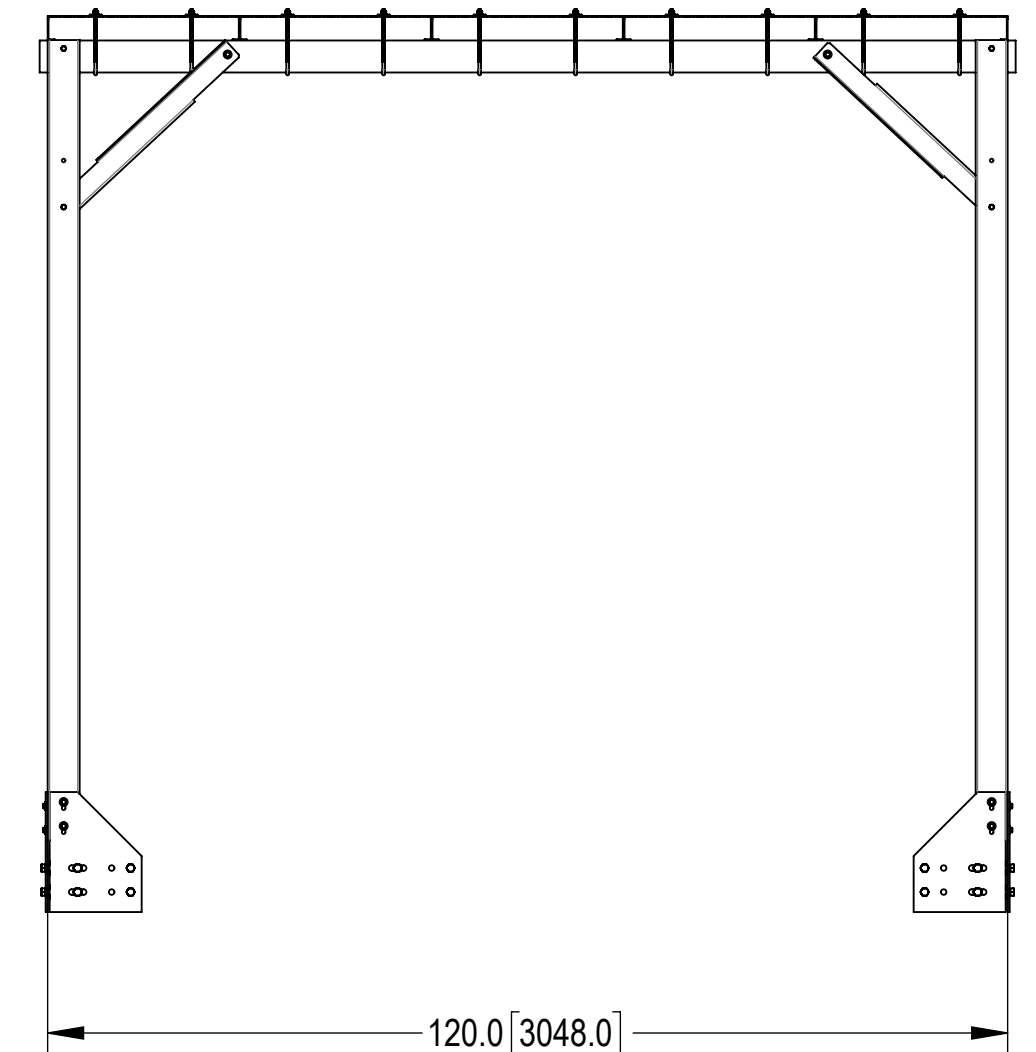
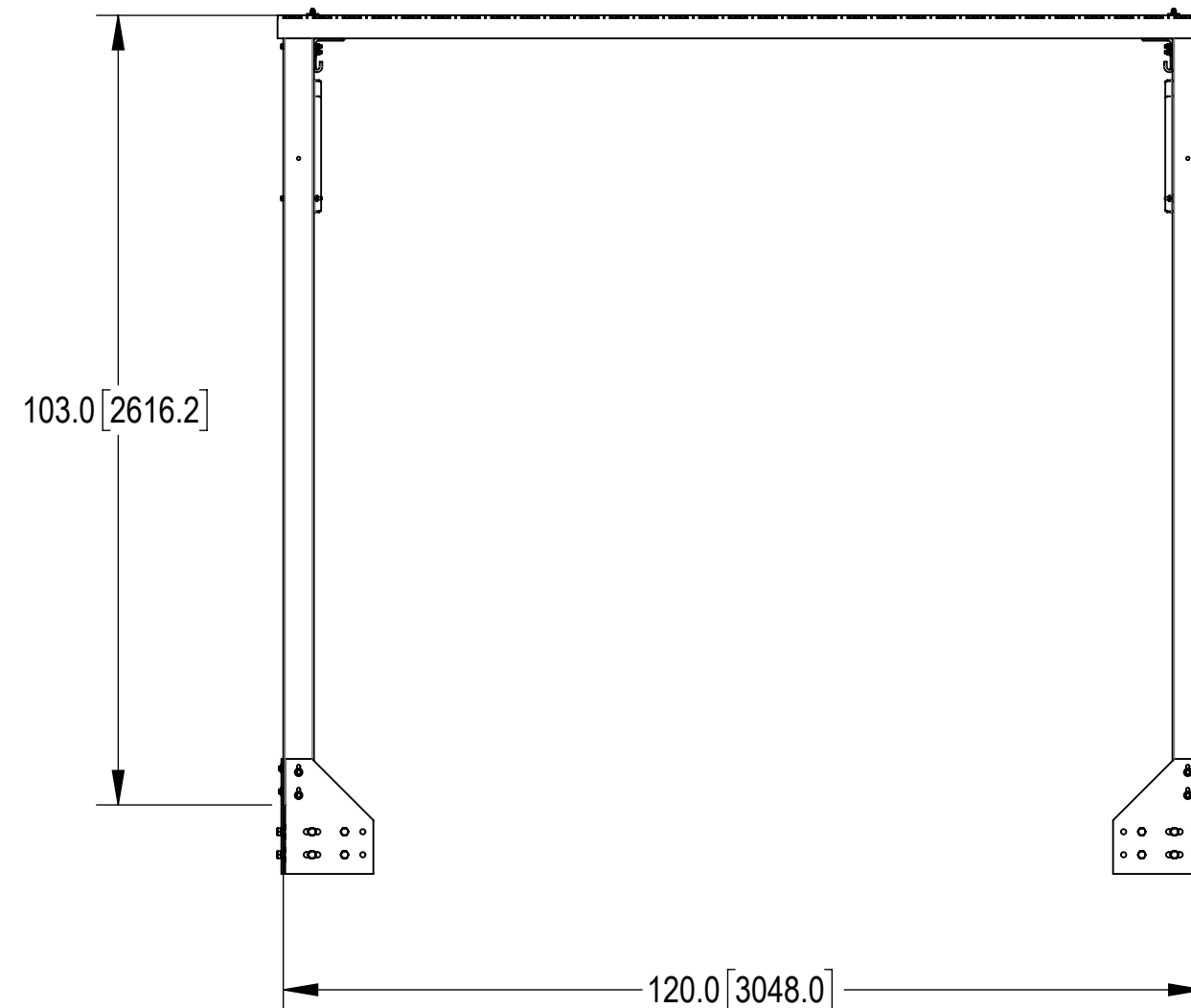
B

A

A



DETAIL A
SCALE 1 : 8



COMPONENT PART NUMBERS PROVIDED FOR ASSEMBLY PURPOSES;
INDIVIDUAL COMPONENTS MAY BE SHIPPED AS PARTS WITHIN AN INCLUDED KIT.

ITEM NO.	PART NUMBER	DESCRIPTION	QTY.	WEIGHT
1	WB-CY210	SAFETY GRATED WAVEGUIDE BRIDGE CHANNEL	5	49.84 LBS
2	MTC4045C01	POST, 4 X 4 VERTICAL	4	51.35 LBS
3	MTC4172-1000-00	10' ICE SHIELD SUPPORT BRACKET	2	66.62 LBS
4	MTC4130-3000-00	CANOPY BRACE	4	6.52 LBS
5	GJB0380	8" GALV J-BOLT KIT	20	0.23 LBS
6	MT-387	SQUARE WASHER 1-1/2"X1-1/2" W/ 7/16 HOLE	20	0.11 LBS
7	MTC4169-2000-00	PLATE, CANOPY LEG SUPPORT	8	9.59 LBS
8	GB-03505	3/8" X 5" GALV BOLT KIT	24	0.17 LBS
9	GB-03125	3/8" X 1-1/4" GALV BOLT KIT	4	0.06 LBS
10	GB-05165	5/8" X 1-3/4" GALV BOLT KIT	16	0.24 LBS
11	GWF-03	3/8" GALV FLAT WASHER	28	0.01 LBS
12	GWF-05	5/8" GALV FLAT WASHER, 1.70D	16	0.06 LBS
13	GN-03	3/8" GALV HEX NUT	20	0.00 LBS
14	GWL-03	3/8" GALV LOCK WASHER	20	0.01 LBS
15	GB-05225	5/8" X 2-1/4" GALV BOLT KIT	16	0.28 LBS

COMMSCOPE, INC. OF NORTH CAROLINA				
TITLE ICE CANOPY FOR EQ-P1010-B				
SIZE C	SCALE 1:24	DOCUMENT NO. EQ-P1010-B-IC-P		
DRAWING		VERSION	STATUS	REVISION
		00	RE	A
				SHEET 2 OF 4

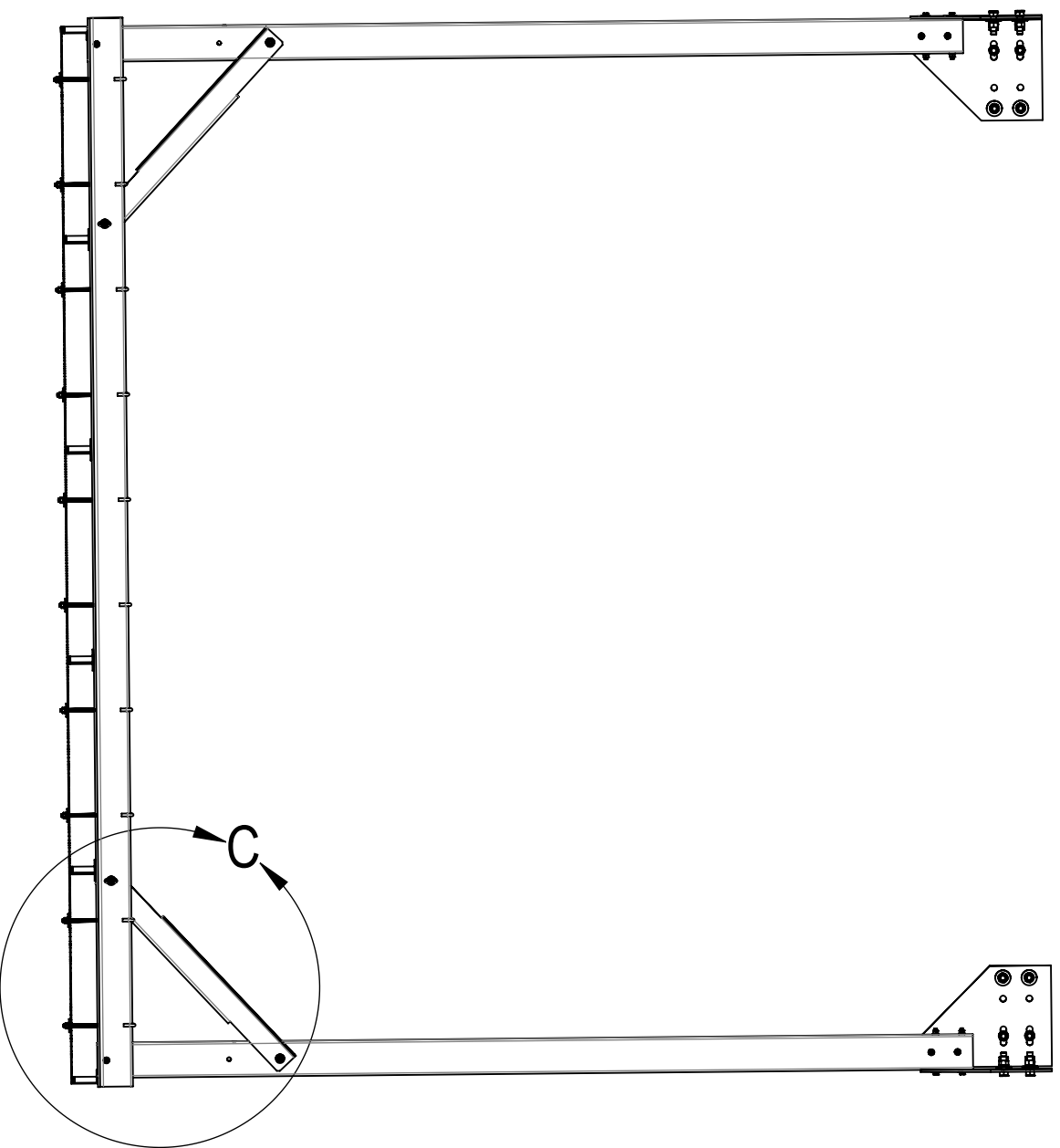
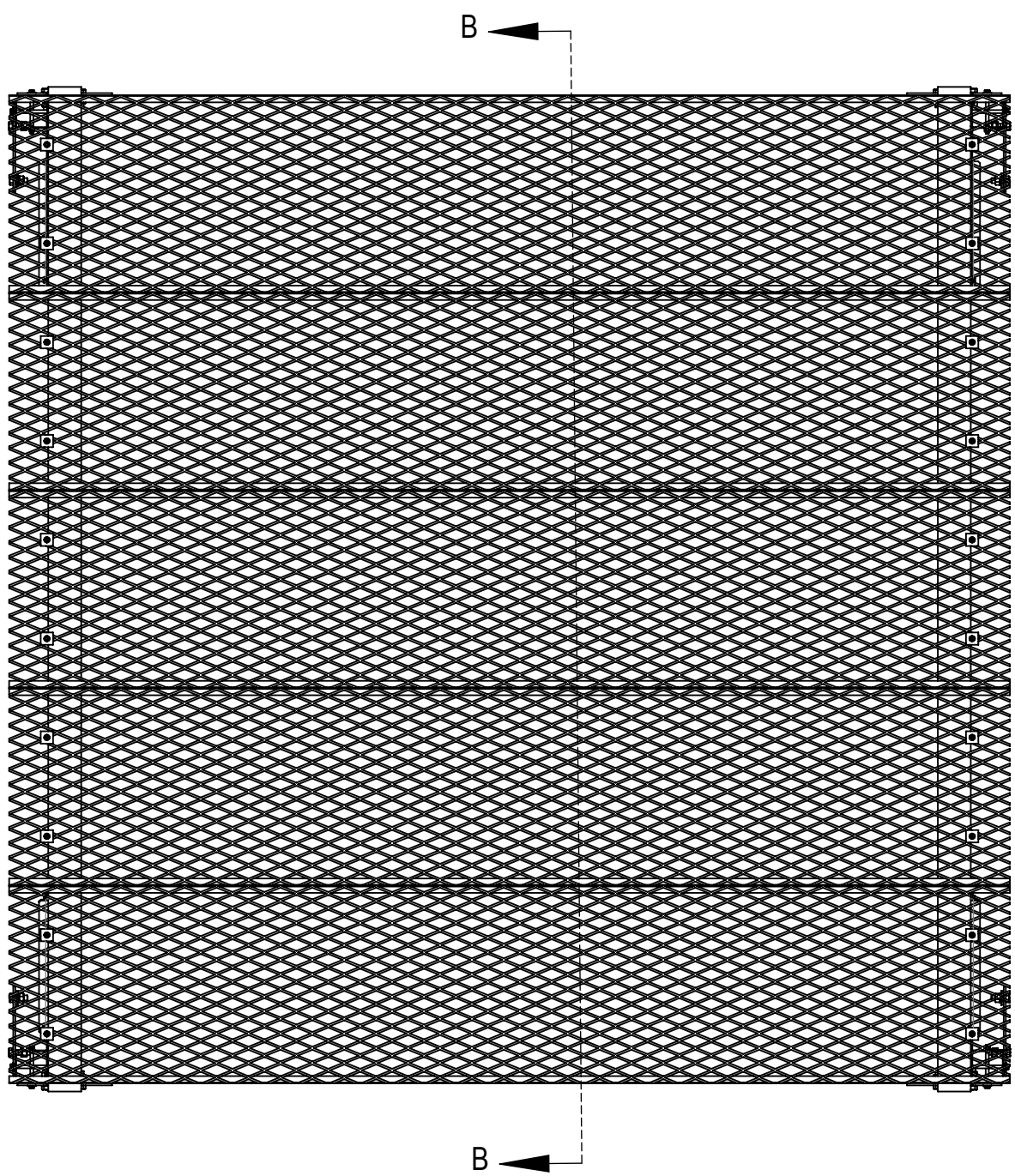
4

3

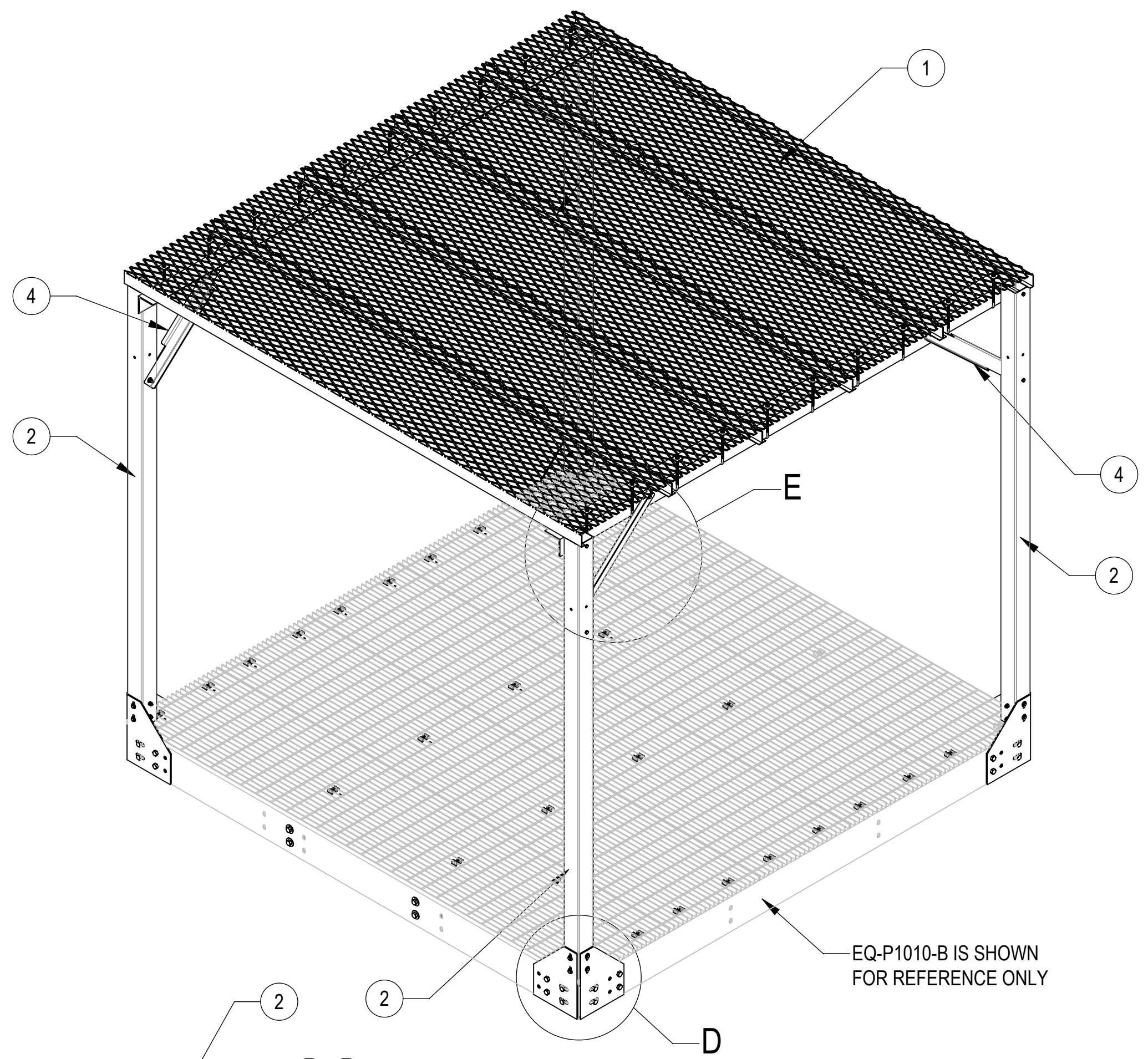
2

1

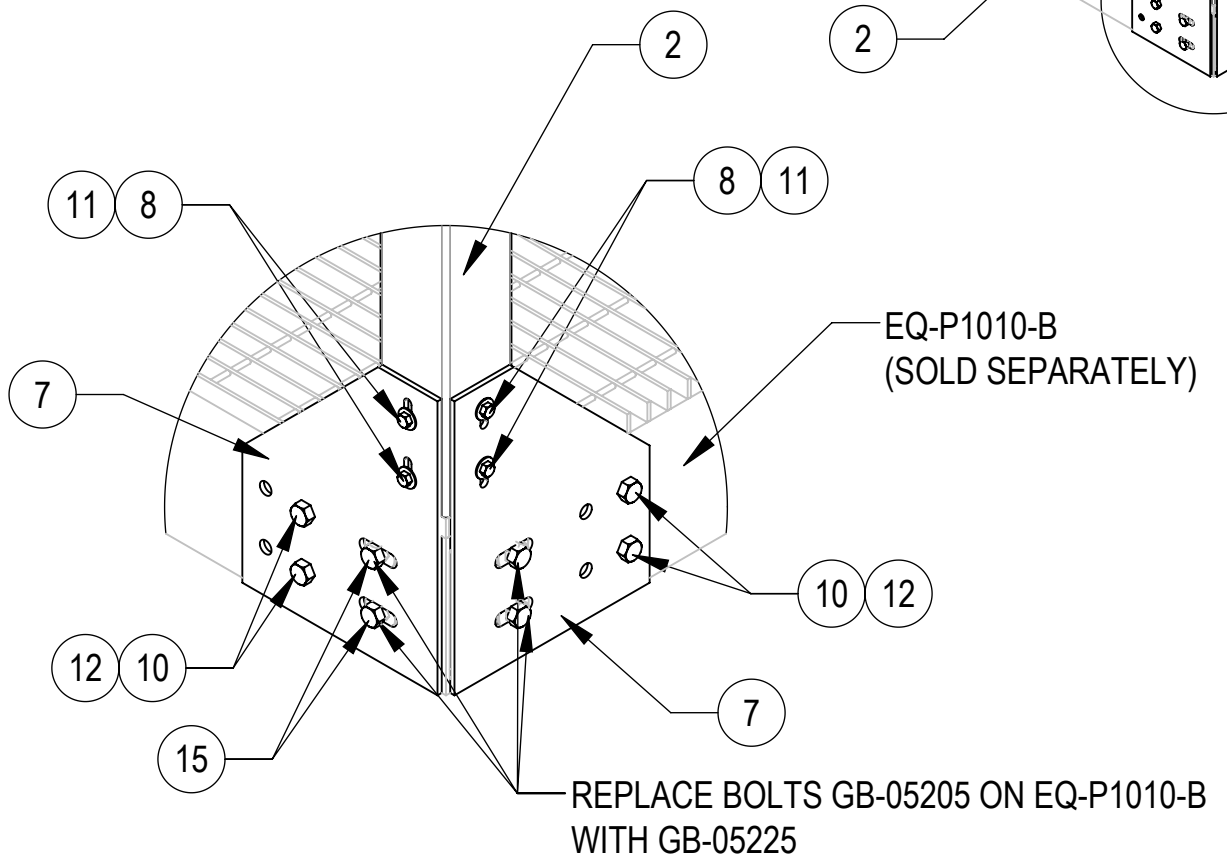




SECTION B-B
SCALE 1 : 20



EQ-P1010-B IS SHOWN FOR REFERENCE ONLY



DETAIL D
SCALE 1 : 8
(4 PLACES)

COMMSCOPE, INC. OF NORTH CAROLINA				
TITLE ICE CANOPY FOR EQ-P1010-B				
SIZE C	SCALE 1:24	DOCUMENT NO. EQ-P1010-B-IC-P		
		DRAWING		SHEET
		VERSION	STATUS	REVISION
		00	RE	A
				3 OF 4

4

3

2

1

D

D

C

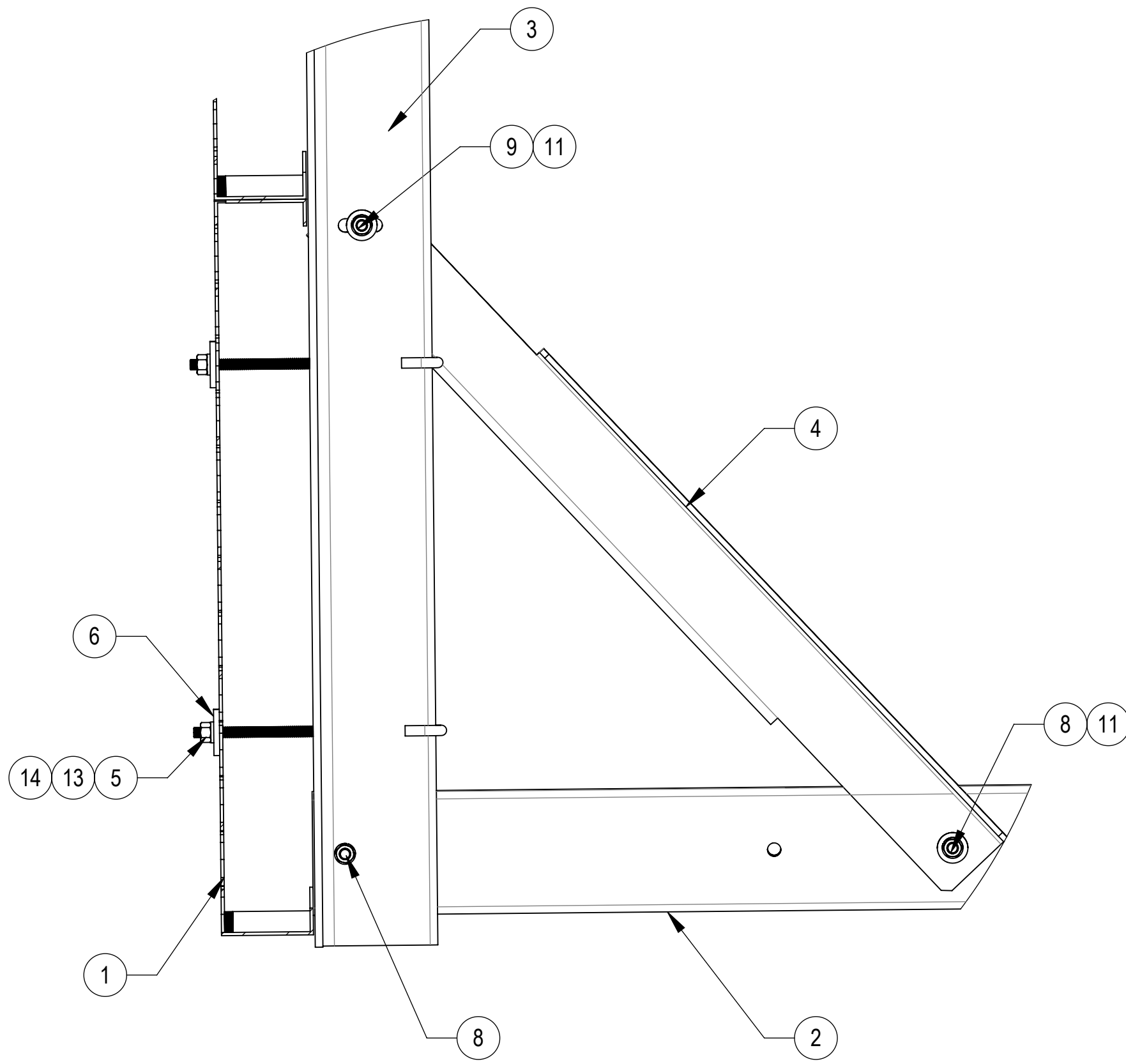
C

B

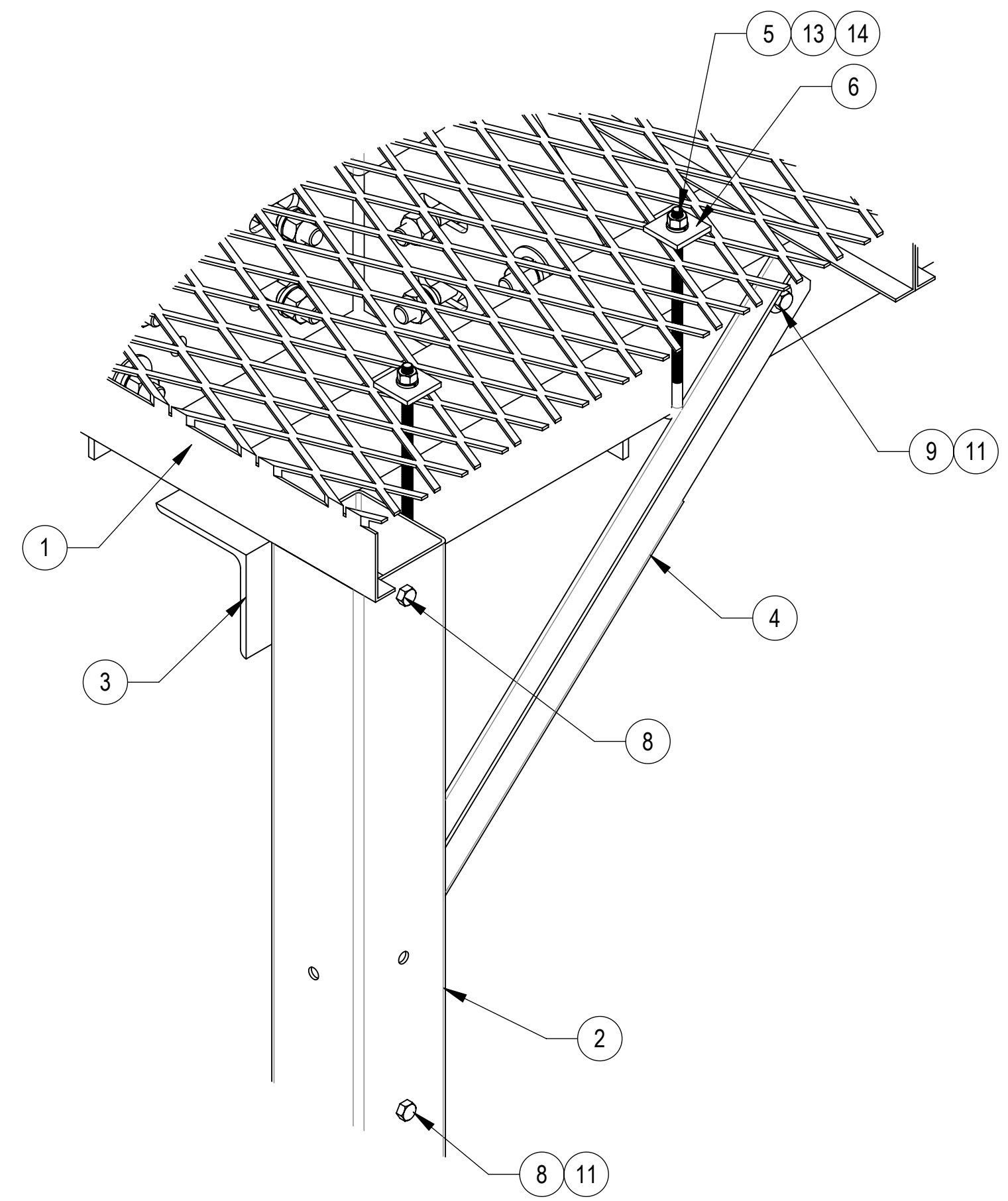
B

A

A


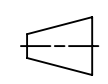


DETAIL C
SCALE 1 : 4



DETAIL E
SCALE 1 : 4

© 2024 CommScope, Inc. Confidential

COMMSCOPE, INC. OF NORTH CAROLINA					
TITLE ICE CANOPY FOR EQ-P1010-B					
SIZE C	SCALE 1:24	DOCUMENT NO. EQ-P1010-B-IC-P			
 		DRAWING			SHEET 4 OF 4
		VERSION 00	STATUS RE	REVISION A	