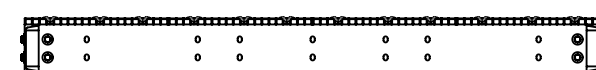
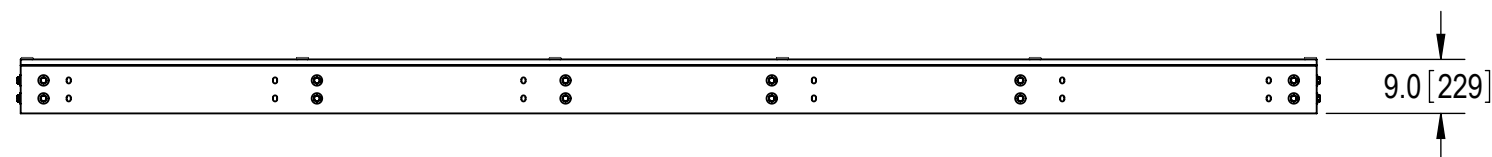
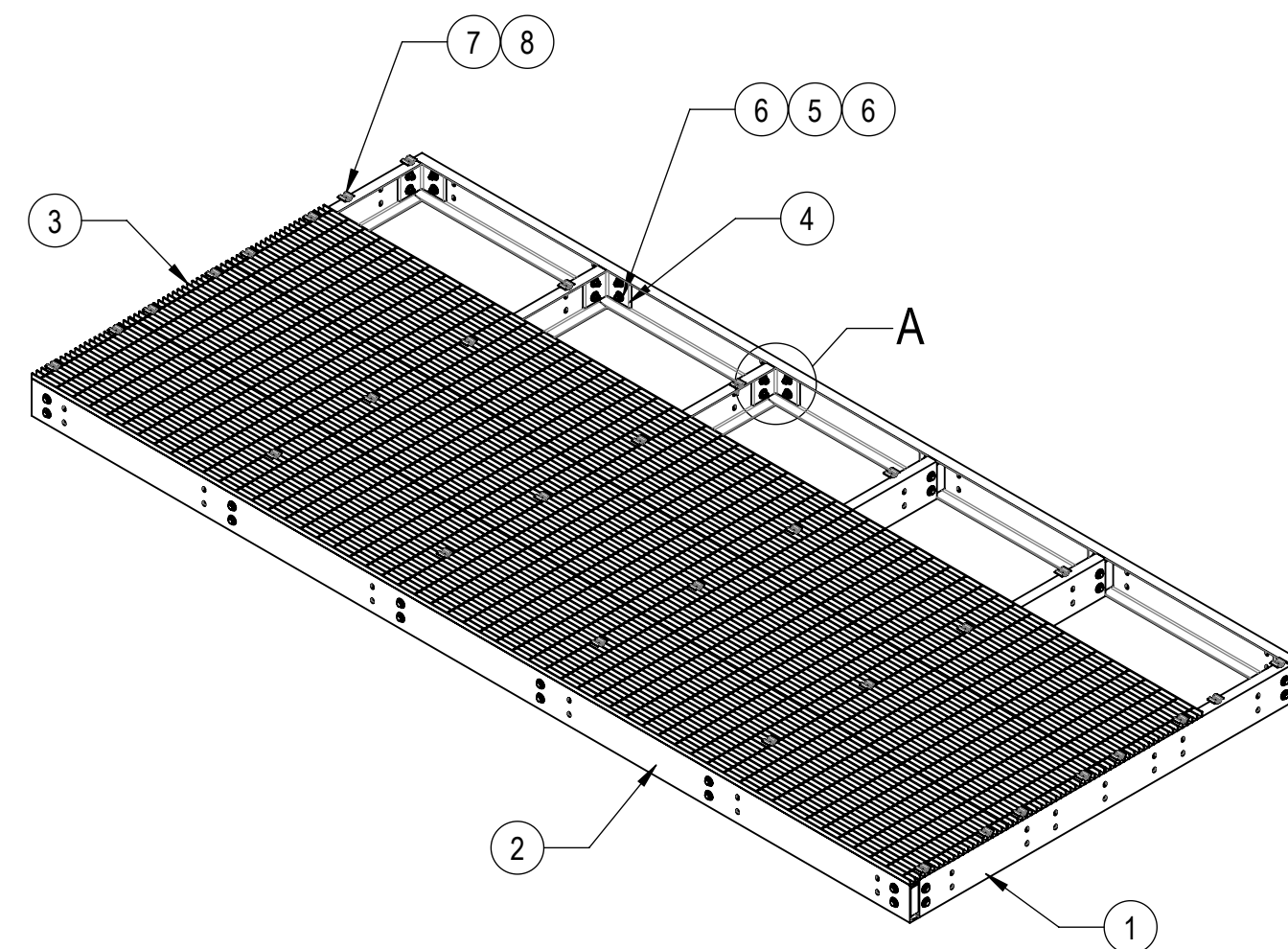
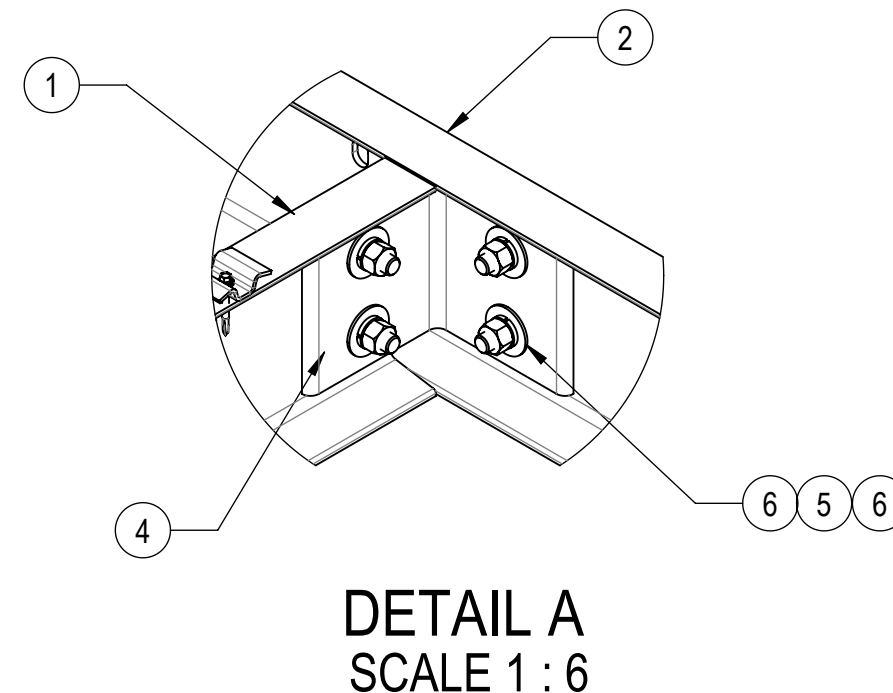
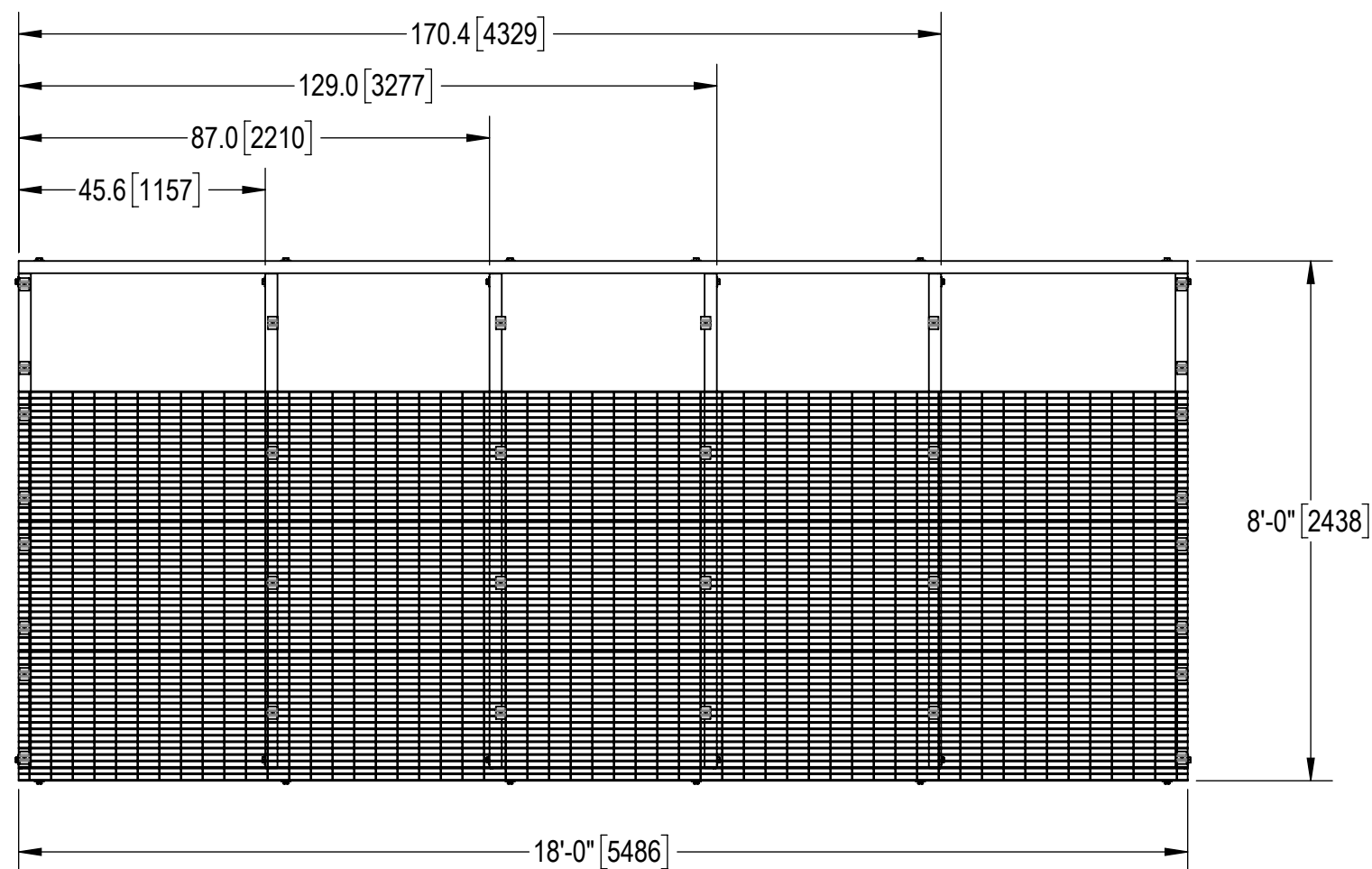


- 1.0 GENERAL NOTES
 1.1 ALL METRIC DIMENSIONS ARE IN BRACKETS [X.X]
 1.2 FOR PATENT INFO: <https://www.cs-pat.com>
 2.0 DESIGN NOTES
 3.0 MANUFACTURING/SPECIAL REQUIREMENTS
 3.1 TIGHTEN ALL BOLTS SECURING FLAT PLATES BY THE TURN-OF-NUT METHOD. TIGHTEN ALL U-BOLTS USING TURN-OF-NUT METHOD WITH ATTENTION TO LEAVE EQUAL DISTANCE AND EQUAL FORCE ON EACH LEG OF THE U-BOLT.
 3.2 BAR GRATING ALIGNED ACROSS CENTER CHANNELS.
 4.0 TEST
 5.0 PACKAGING
 5.1 PACKAGING SHALL MEET COMMSCOPE REQUIREMENTS PER DOCUMENT IS-PL-3005
 5.2 PRINTED DOCUMENT TO BE PLACED INSIDE POLYBAG AND THEN IN SHIPPING CONTAINER
 5.3 EXTRA HARDWARE MAY BE SUPPLIED, BAGGED AND SHIPPED

REVISIONS			
REV.	DESCRIPTION	DATE	APPROVED
A	INITIAL RELEASE	MSM 04APR12	TP
B	UPDATED DRAWING FORMAT; MTC390324 AND TS1220 WAS GCM03	LL1090 08MAR24	BCROSS 40190172CMO



HIDE BAR GRATING FOR CLARITY

COMPONENT PART NUMBERS PROVIDED FOR ASSEMBLY PURPOSES;
 INDIVIDUAL COMPONENTS MAY BE SHIPPED AS PARTS WITHIN AN INCLUDED KIT.

ITEM NO.	PART NUMBER	DESCRIPTION	QTY.	WEIGHT	NOTE NO.
1	MTC7902080801	8" CENTER CHANNEL	6	86.21 LBS	
2	MTC7902101801	18" SIDE CHANNEL	2	204.61 LBS	
3	MTC7902101802	24" X 18' BAR GRATING	4	244.42 LBS	
4	MTC790203	CHANNEL ADAPTER ANGLE	12	7.07 LBS	
5	GB-05205	5/8" X 2" GALV BOLT KIT	48	0.26 LBS	
6	GWF-05	5/8" GALV FLAT WASHER, 1.70D	96	0.06 LBS	
7	MTC390324	BAR GRATING CLIP	32	0.17 LBS	
8	TS1220	12-24 X 2" SELF DRILLING SCREW	32	0.03 LBS	

COMMSCOPE, INC. OF NORTH CAROLINA								
TOLERANCES		SAP MATERIAL MASTER						
1 PLACE .X[X] ± 0.12[3.0]	3 PLACE .XXX[X] ± 0.03[0.8]	EQ-P0818-B						
2 PLACE .XX[X] ± 0.06[1.5]	ANGLES ± 2°							
FINISH		MATERIAL						
UNLESS OTHERWISE SPECIFIED DIMENSIONS ARE IN INCHES INTERPRET PER ANSI Y 14.5M-1994	NAME	DATE	TITLE					
	CE MSM	04APR12	8' X 18' EQUIPMENT PLATFORM BASE					
	RW LL1090	03/14/2024						
	AD YW1045	03/18/2024	SCALE					
	RE YMENG	04/02/2024	DOCUMENT NO.					
ECN 40190172CMO	1:32		EQ-P0818-B					
SIZE	Auth Group	INSL	MODEL					
C		VERSION	STATUS	REVISION	VERSION	STATUS	REVISION	SHEET
		01	RE	B	01	RE	B	1 OF 1

DENSITY	2018.39	lbs/in ³
MASS	7162.68	lbs
VOLUME	71632.51	in ³
SURFACE AREA	71632.51	in ²
HEIGHT	9.0"	
LENGTH	216.0"	
WIDTH	96.0"	