

4

3

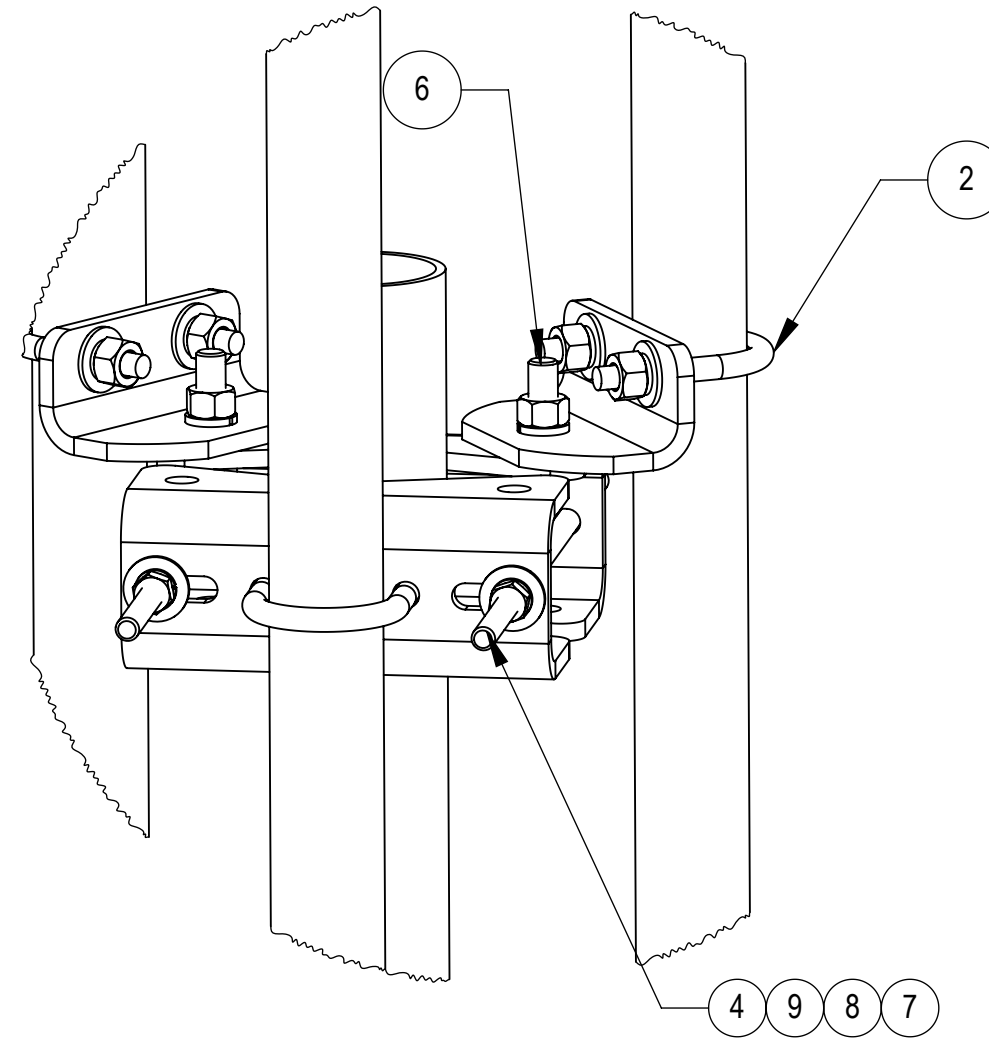
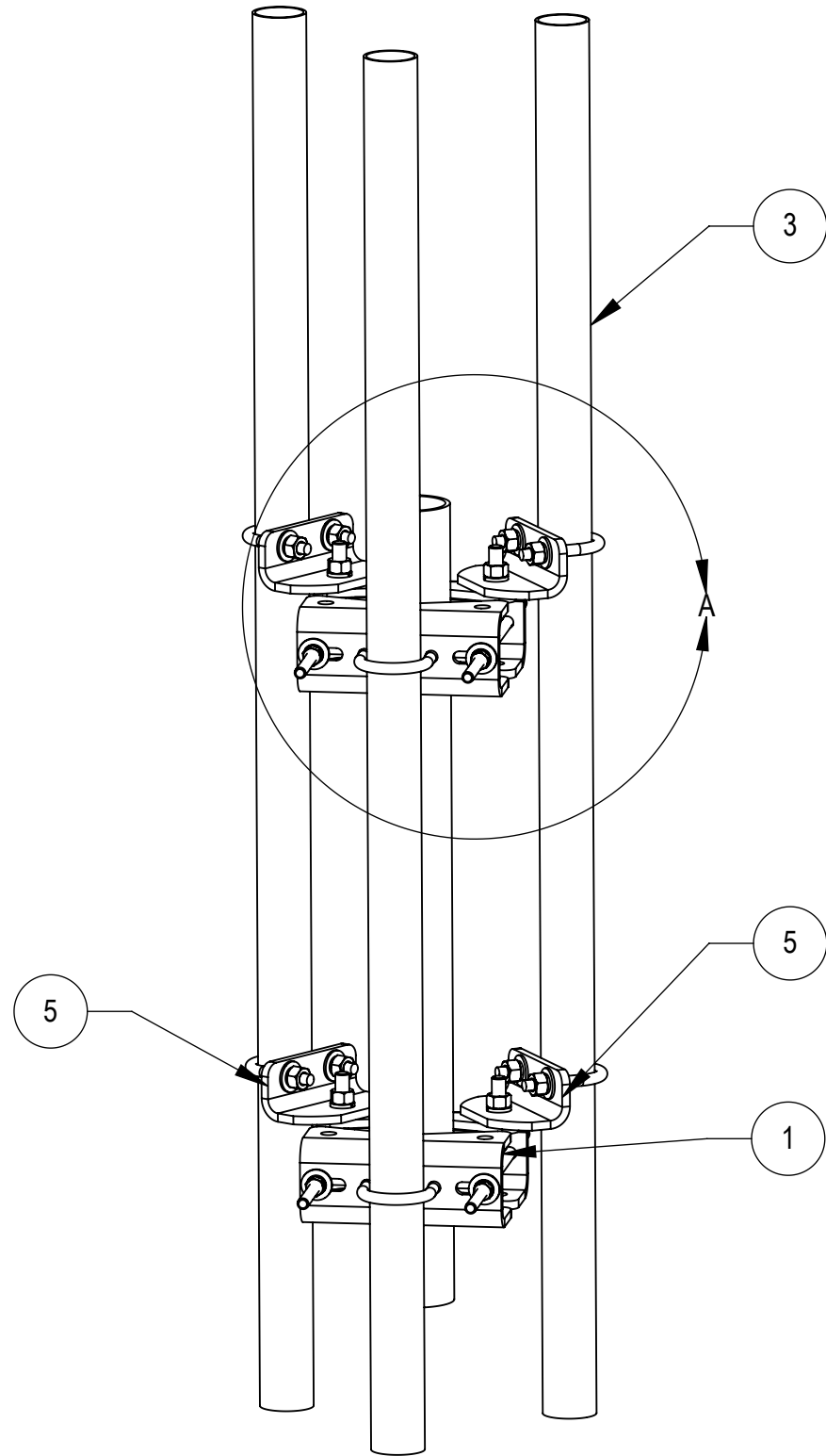
2

1

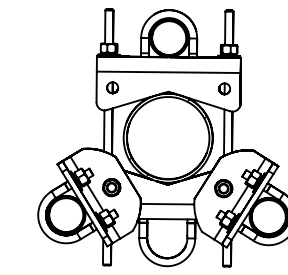
NOTES:

- 1.0 GENERAL
  - 1.1 ALL METRIC DIMENSIONS ARE IN BRACKETS
  - 1.2 FOR PATENTS, SEE WWW.CS-PAT.COM
- 2.0 DESIGN NOTES
- 3.0 MANUFACTURING/SPECIAL REQUIREMENTS
- 4.0 TEST
- 5.0 PACKAGING

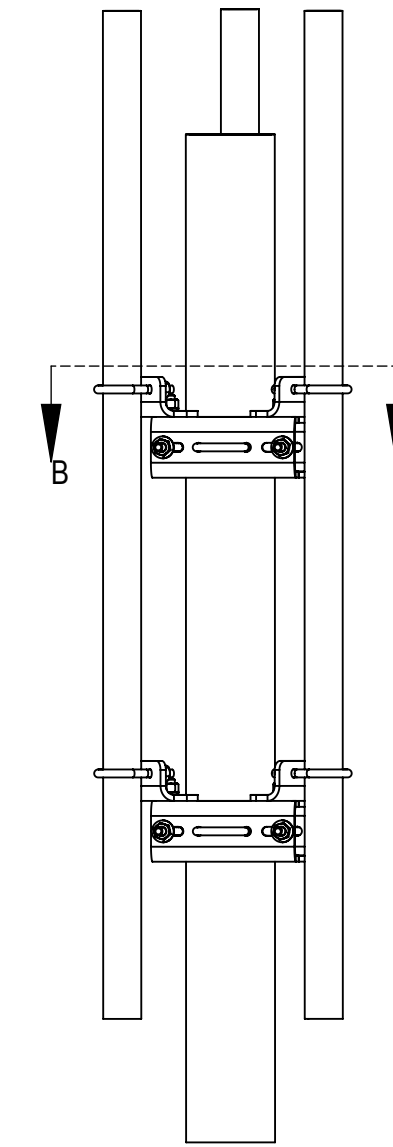
REVISIONS				
REV.	ECN	DESCRIPTION	BY	DATE
A	8000041661	INITIAL RELEASE	JLA	07/09/20



DETAIL A  
SCALE 1 : 4



SECTION B-B



COMPATIBLE WITH POLE DIAMETERS OF 3.5" - 6"

ITEM NO.	PART NUMBER	DESCRIPTION	QTY.
1	SCSMRU-302-02	3.5"-6" SC CHANNEL	4
2	GUB-4240	1/2" X 2-1/2" X 4" GALV U-BOLT	8
3	MT-650-63	Ø 2.375" OD x 63" PIPE	3
4	MT37916	1/2" X 16" GALV THREADED ROD	4
5	SCSMRU-302-01	3.5"-6" SC PIPE MOUNT	4
6	GB-05225	5/8" X 2-1/4" GALV BOLT KIT	4
7	GWF-04	1/2" GALV FLAT WASHER	8
8	GWL-04	1/2" GALV LOCK WASHER	8
9	GN-04	1/2" GALV HEX NUT	8

DENSITY		lbs/in <sup>3</sup>
MASS	153.16	lbs
VOLUME	541.40	in <sup>3</sup>
SURFACE AREA	5630.86	in <sup>2</sup>
HEIGHT		
LENGTH		
WIDTH		

**COMMSCOPE, INC. OF NORTH CAROLINA**

TOLERANCES		SAP MATERIAL MASTER						
1 PLACE .X ± .25	3 PLACE .XXX ± 0.06	<b>SCSMRU-302-M</b>						
2 PLACE .XX ± 0.12	ANGLES ± 2°							
FINISH GALV A123		MATERIAL A1011/A1018 GR 36, A500 GR C						
UNLESS OTHERWISE SPECIFIED DIMENSIONS ARE IN INCHES INTERPRET PER ANSI Y14.5M-1994	NAME	DATE	TITLE					
	CE JLA	07/09/20	<b>SCSMRU-302-M</b>					
	RW JAT132	07/31/2020						
	RV							
AD MC1107	07/31/2020							
RE BCROSS	08/06/2020	SCALE	DOCUMENT NO.					
ECN 008000041661	1:12	<b>SCSMRU-302-M</b>						
SIZE	WORK AREA 24	MODEL						
C		VERSION	STATUS	REVISION	VERSION	STATUS	REVISION	SHEET 1 OF 2
		03	RE	A	03	RE	A	

4

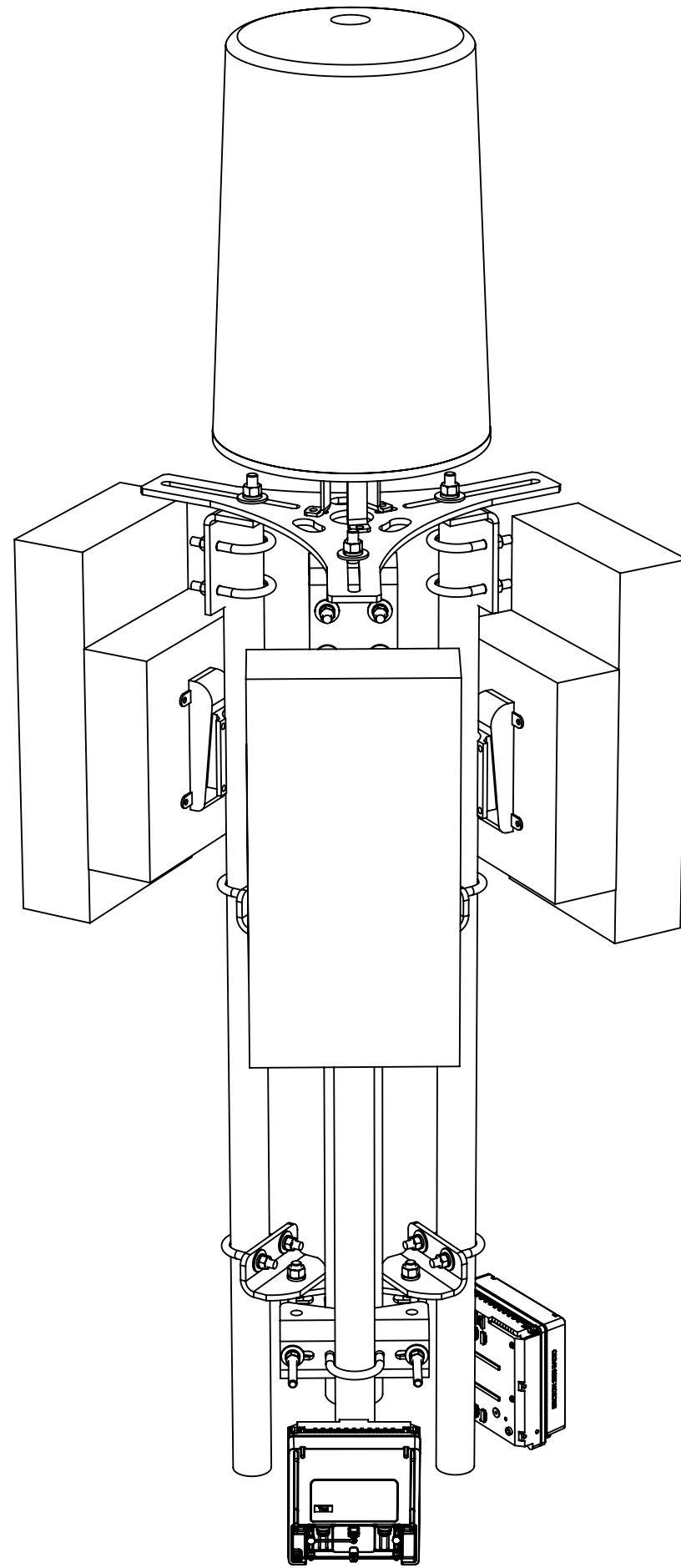
3


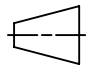
2

1

NOTES:

### EXAMPLE DEPLOYMENT



COMMSCOPE, INC. OF NORTH CAROLINA					
TITLE					
SCSMRU-302-M					
SIZE	SCALE	DOCUMENT NO.			
C	1:8	SCSMRU-302-M			
 		DRAWING			SHEET 2 OF 2
		VERSION	STATUS	REVISION	
		03	RE	A	

© 2020 CommScope, Inc. Confidential

4

3

2

1

D

D

C

C

B

B

A

A