
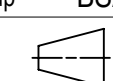


RRV4-65A-R6N39

REVISIONS			
REV.	DESCRIPTION	DATE	APPROVED

COMMSCOPE, INC. OF NORTH CAROLINA

TOLERANCES		SAP MATERIAL MASTER	
0 PLACE X ±	2 PLACE .XX ±		
1 PLACE .X ±	ANGLES ±		
FINISH		MATERIAL	
<small>UNLESS OTHERWISE SPECIFIED DIMENSIONS ARE IN MILLIMETERS INTERPRET PER ISO STANDARDS HANDBOOK 1 TECHNICAL DRAWINGS VOLUMES 1 & 2, THIRD EDITION (2002)</small>	NAME	DATE	TITLE
	CE RDD	12MAR21	PRODUCT DRAWING
	RW NC1020	01/17/2022	
	AD YDWANG	01/20/2022	
	RE BYUAN	01/21/2022	
ECN 16363PC			
SCALE	DOCUMENT NO.		
1:5	RRV4-65A-R6N39-L		
SIZE	Auth Group	BSA	MODEL
A2	 	VERSION	STATUS
		01	RE
DRAWING		REVISION	
VERSION	STATUS	REVISION	
01	RE	B	
SHEET			
1 OF 1			

DENSITY	g/mm ³
MASS	grams
VOLUME	mm ³
SURFACE AREA	mm ²
HEIGHT	
LENGTH	
WIDTH	