

4

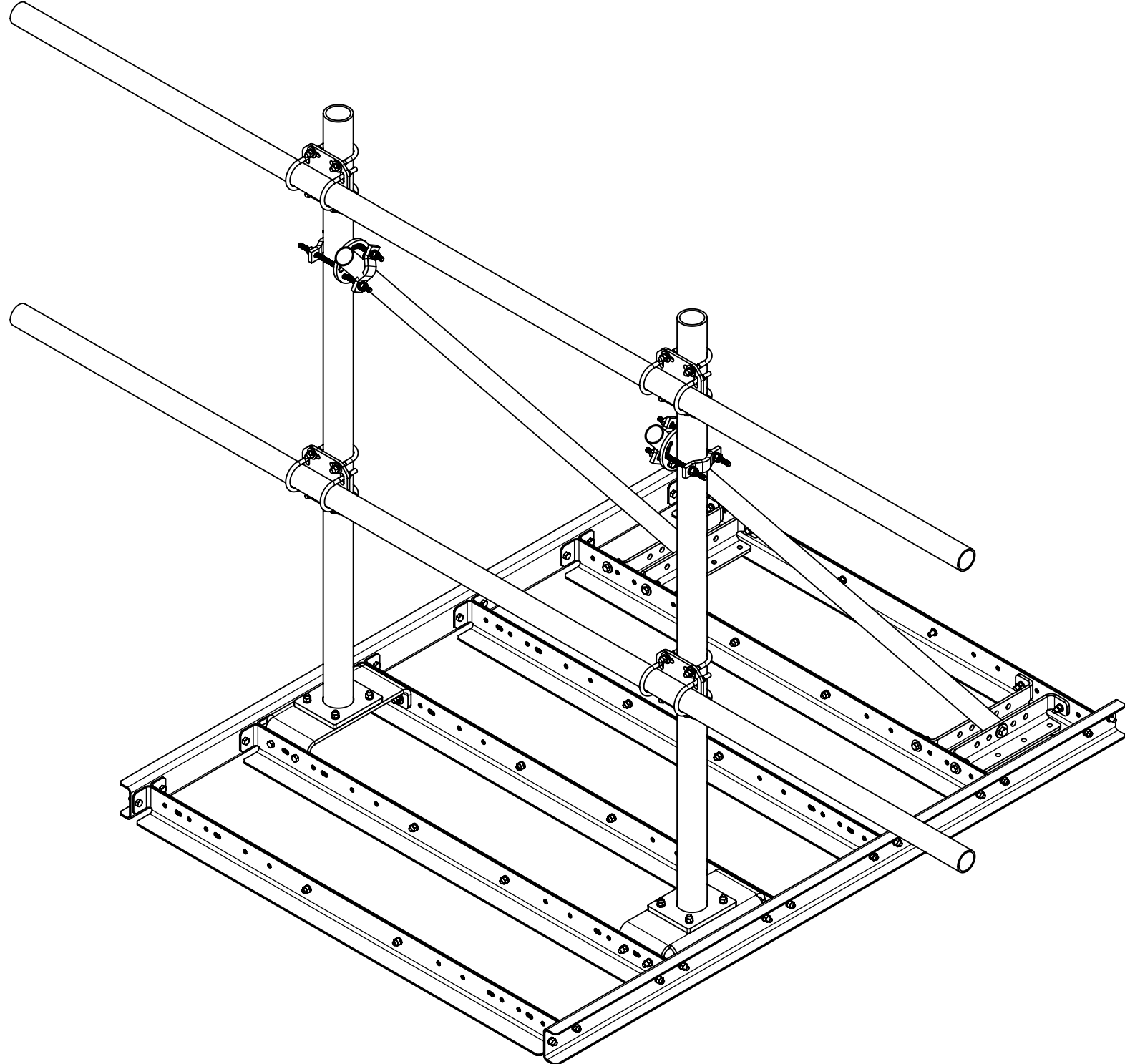
3

2

1

- 1.0 GENERAL NOTES
  - 1.1 ALL METRIC DIMENSIONS ARE IN BRACKETS [X. X]
  - 1.2 FOR PATENT INFO: <https://www.cs-pat.com>
- 2.0 DESIGN NOTES
- 3.0 MANUFACTURING/SPECIAL REQUIREMENTS
  - 3.1 TIGHTEN ALL BOLTS SECURING FLAT PLATES BY THE TURN-OF-NUT METHOD. TIGHTEN ALL U-BOLTS USING TURN-OF-NUT METHOD WITH ATTENTION TO LEAVE EQUAL DISTANCE AND EQUAL FORCE ON EACH LEG OF THE U-BOLT.
- 4.0 TEST
- 5.0 PACKAGING
  - 5.1 PACKAGING SHALL MEET COMMSCOPE REQUIREMENTS PER DOCUMENT IS-PL-3005
  - 5.2 PRINTED DOCUMENT TO BE PLACED INSIDE POLYBAG AND THEN IN SHIPPING CONTAINER
  - 5.3 EXTRA HARDWARE MAY BE SUPPLIED, BAGGED AND SHIPPED

REVISIONS			
REV.	DESCRIPTION	DATE	APPROVED
A	INITIAL RELEASE	YMENG 25APR24	



<b>COMMSCOPE, INC. OF NORTH CAROLINA</b>										
TOLERANCES					SAP MATERIAL MASTER					
1 PLACE .X[X] ± 0.2[6.3]			3 PLACE .XXX[X] ± 0.060[1.5]			<b>RT-NF13-B</b>				
2 PLACE .XX[X] ± 0.12[3.0]			ANGLES ± 2°							
FINISH					MATERIAL					
UNLESS OTHERWISE SPECIFIED DIMENSIONS ARE IN INCHES INTERPRET PER ANSI Y 14.5M-1994	NAME	DATE	TITLE							
	CE YMENG	25APR24	<b>PIM-GUARD MOUNT, 13', BALLAST, W/O PIPE</b>							
	RW									
	AD									
	RE									
ECN										
SCALE		DOCUMENT NO.								
<b>1:24</b>										
SIZE	Auth Group	MODEL			DRAWING					
<b>C</b>		VERSION	STATUS	REVISION	VERSION	STATUS	REVISION	SHEET		
		07						1 OF 3		

DENSITY		lbs/in <sup>3</sup>
MASS	854.90	lbs
VOLUME	3029.62	in <sup>3</sup>
SURFACE AREA	28898.89	in <sup>2</sup>
HEIGHT		
LENGTH		
WIDTH		

4

3

2

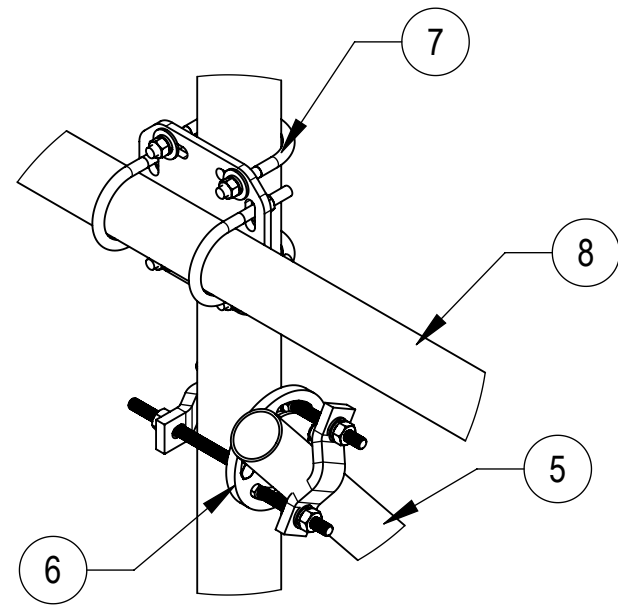
1

4

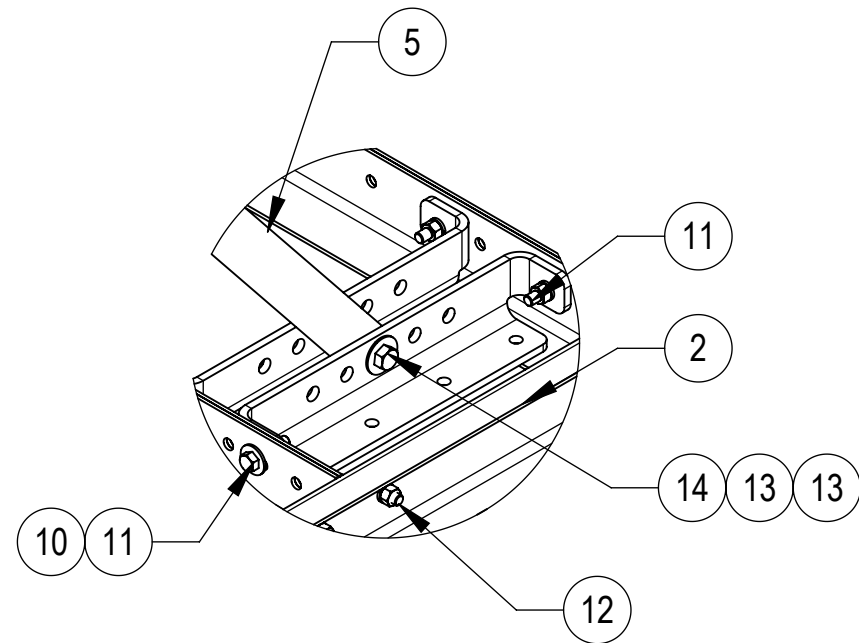
3

2

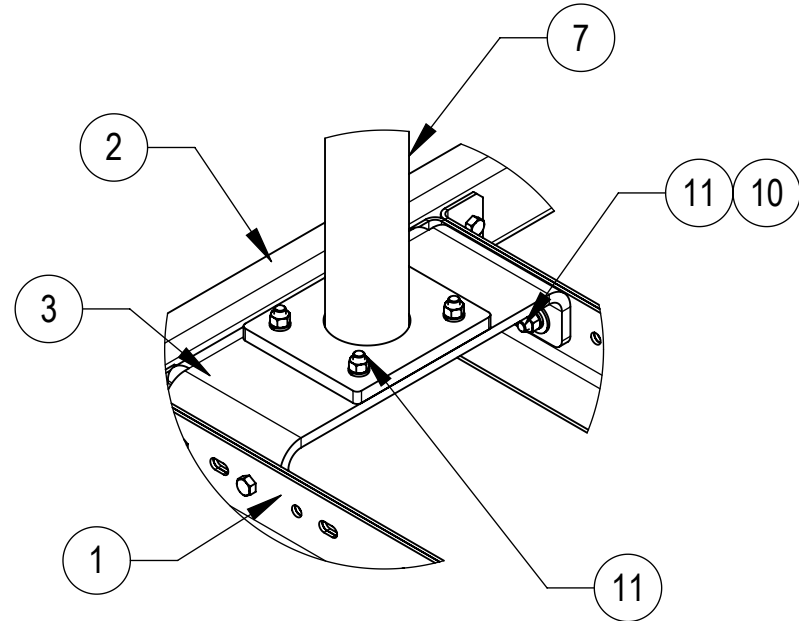
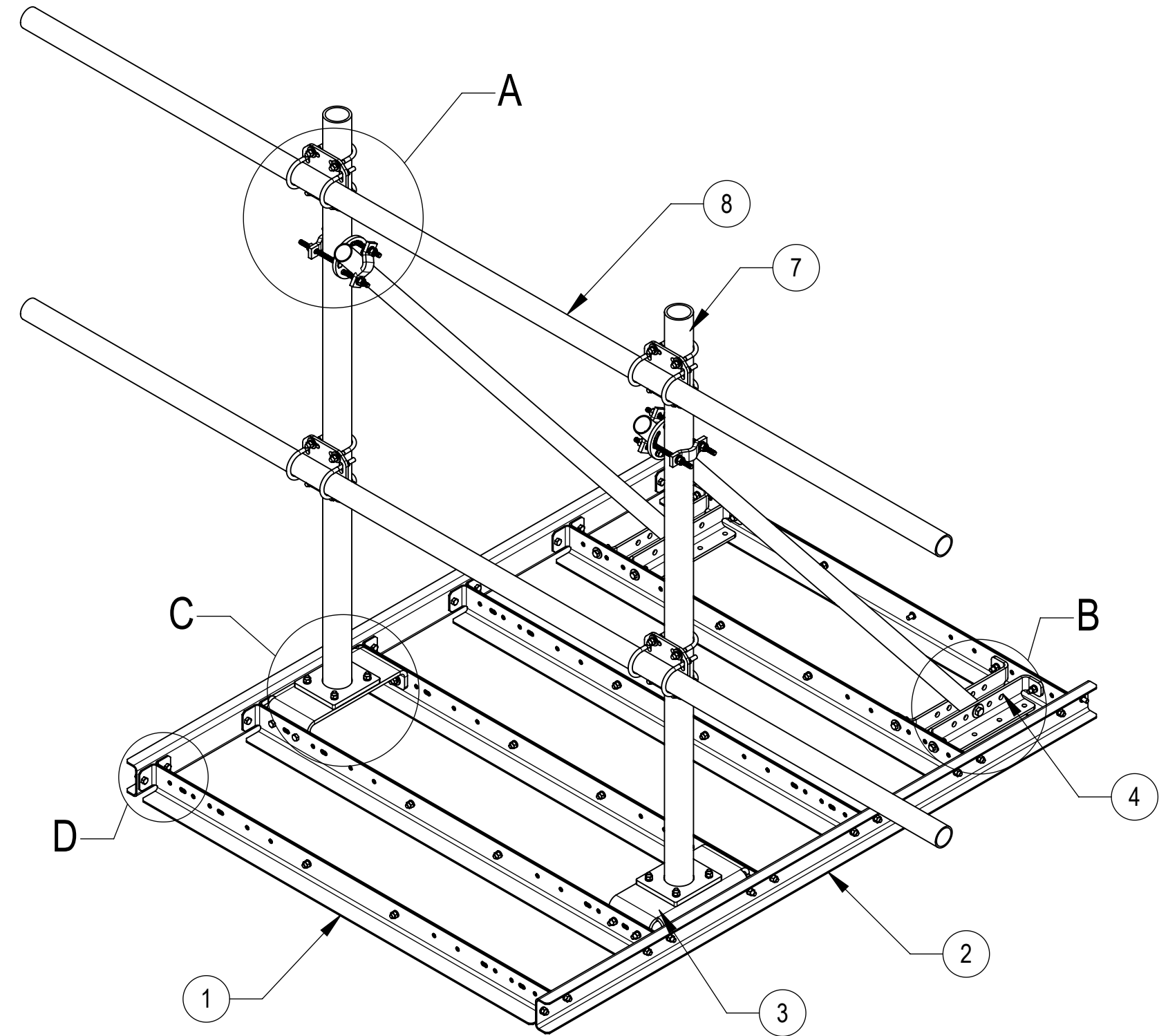
1



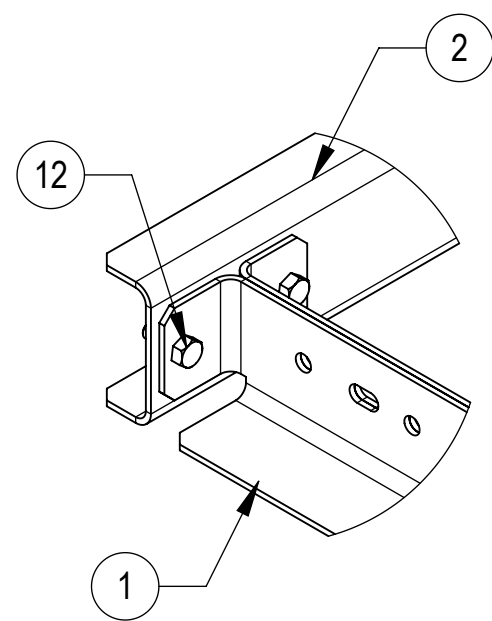
**DETAIL A**  
SCALE 1 : 8



**DETAIL B**  
SCALE 1 : 8



**DETAIL C**  
SCALE 1 : 8



**DETAIL D**  
SCALE 1 : 5

COMPONENT PART NUMBERS PROVIDED FOR ASSEMBLY PURPOSES;  
INDIVIDUAL COMPONENTS MAY BE SHIPPED AS PARTS WITHIN AN INCLUDED KIT.

ITEM	PART NO.	DESCRIPTION	QTY.	WEIGHT	NOTE NO.
1	RTNF100-00	ANGLE, ROOF TOP TRAY	12	22.75 LBS	
2	RTNF102	CHANNEL, ROOF TOP TRAY SIDE	2	38.18 LBS	
3	RTNF103	BRACKET, ROOF TOP VERTICLE PIPE MTG	2	27.93 LBS	
4	RTNF107	BRACKET, ROOF TOP TIEBACK	4	9.45 LBS	
5	RTNF090-00	PIPE, ROOF TOP TIEBACK	2	21.53 LBS	
6	XP-R	CROSSOVER PLATE, ROUND, UP TO 3.5" OD	2	6.20 LBS	
7	RTNF110	WELDMENT, ROOF TOP VERTICLE PIPE	2	79.04 LBS	
8	MT546156	2.875" O.D. X 156" PIPE	2	75.58 LBS	
9	XP-2530	CROSSOVER PLATE KIT, 2-7/8 OD X 3-1/2 OD	4	8.36 LBS	
10	GWF-04	1/2" GALV FLAT WASHER	20	0.04 LBS	
11	GB-04205	1/2" X 2" GALV BOLT KIT	28	0.15 LBS	
12	GB-04125	1/2" X 1-1/4" GALV BOLT KIT	32	0.12 LBS	
13	GWF-05	5/8" GALV FLAT WASHER, 1.7OD	4	0.06 LBS	
14	GB-05505	5/8" X 5" GALV BOLT KIT	2	0.52 LBS	

COMMSCOPE, INC. OF NORTH CAROLINA

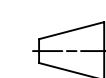
TITLE

PIM-GUARD MOUNT, 13', BALLAST, W/O PIPE

SIZE  
**C**

SCALE  
**1:24**

DOCUMENT NO.



DRAWING			SHEET 2 OF 3
VERSION	STATUS	REVISION	

© 2024 CommScope, Inc. Confidential

4

3

2

1

4

3

2

1

D

D

C

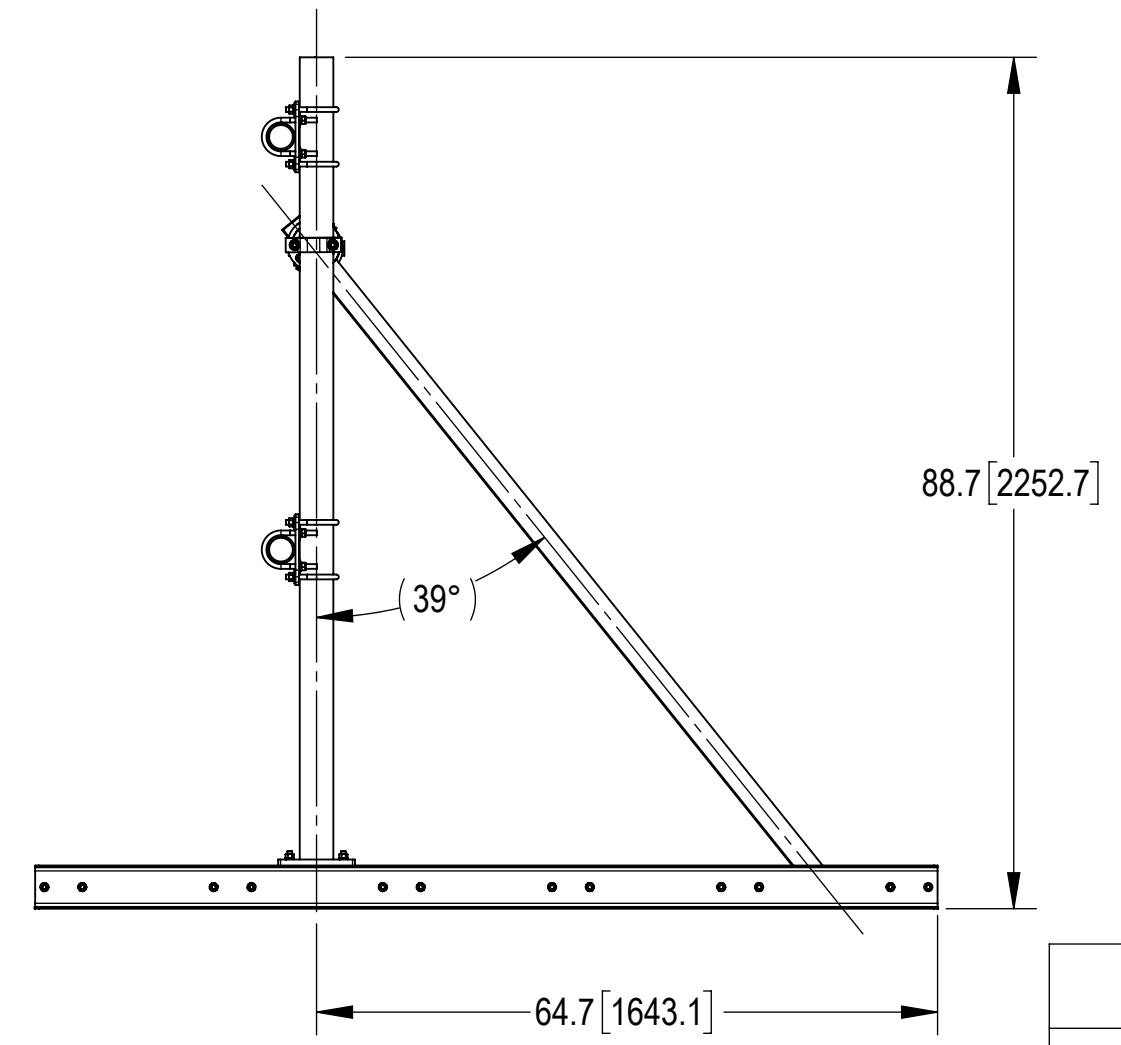
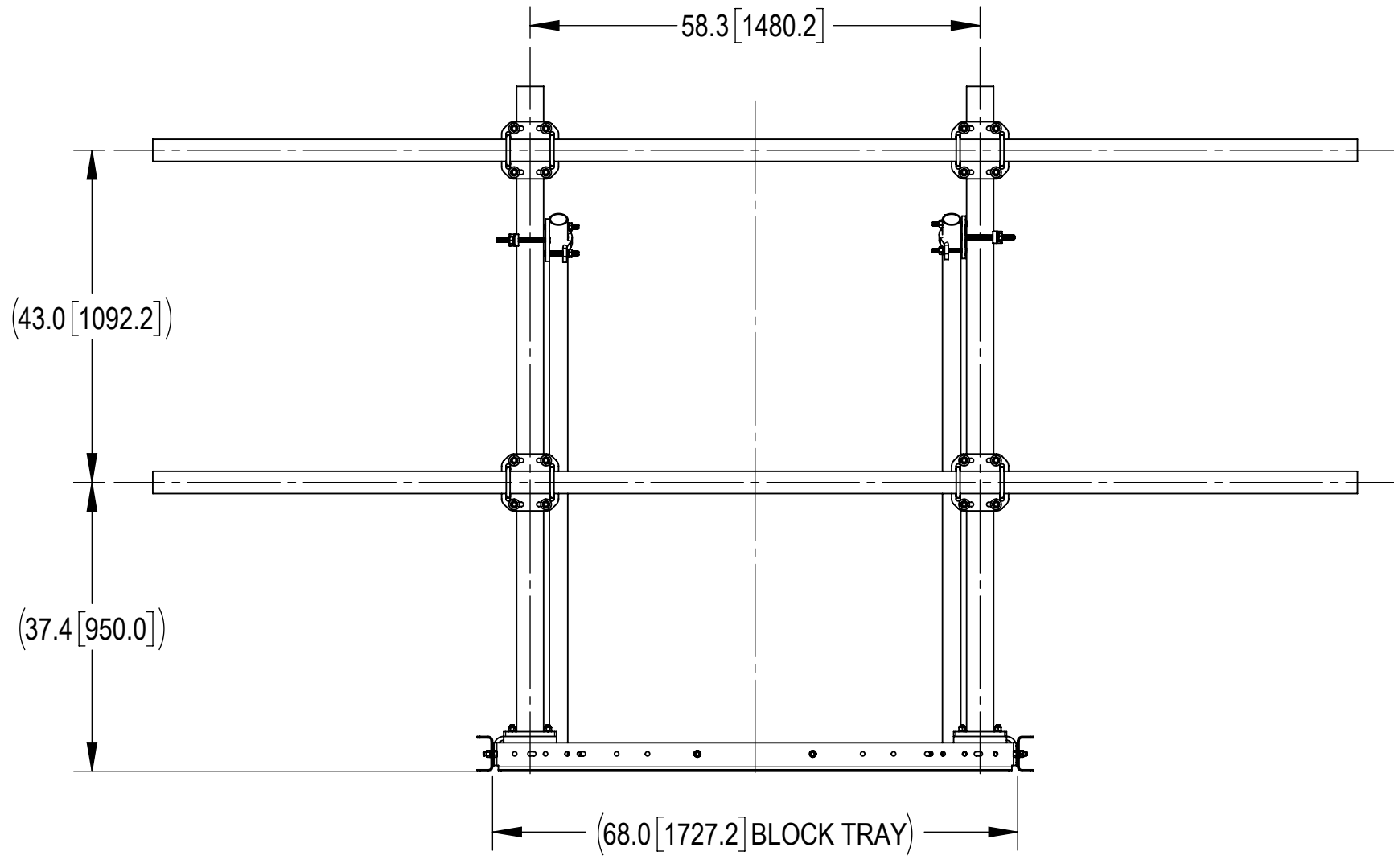
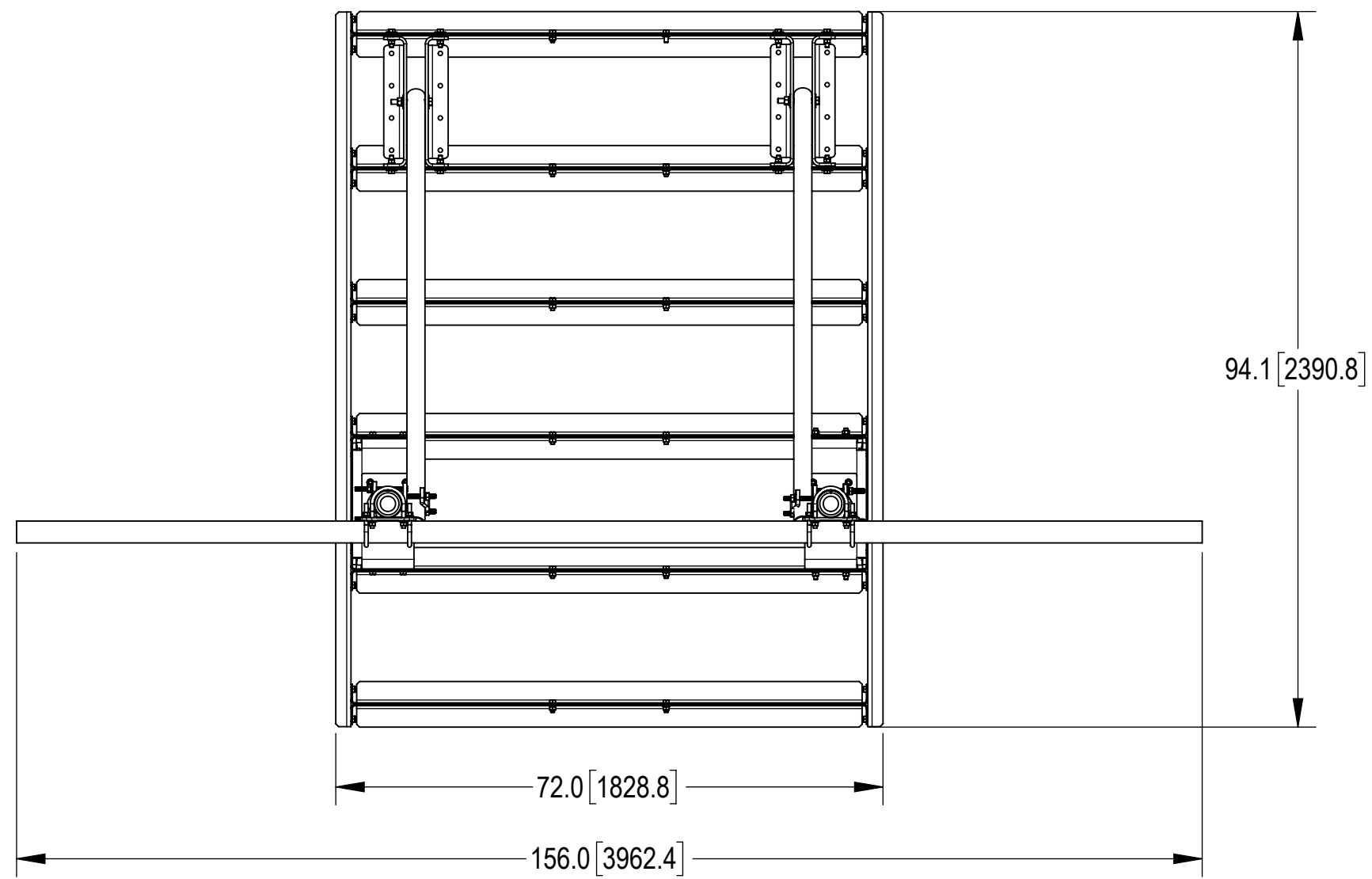
C

B

B

A

A



COMMSCOPE, INC. OF NORTH CAROLINA			
TITLE			
PIM-GUARD MOUNT, 13', BALLAST, W/O PIPE			
SIZE	SCALE	DOCUMENT NO.	
C	1:24		
		DRAWING	
		VERSION	STATUS
		REVISION	SHEET
			3 OF 3

© 2024 CommScope, Inc. Confidential

4

3

2

1