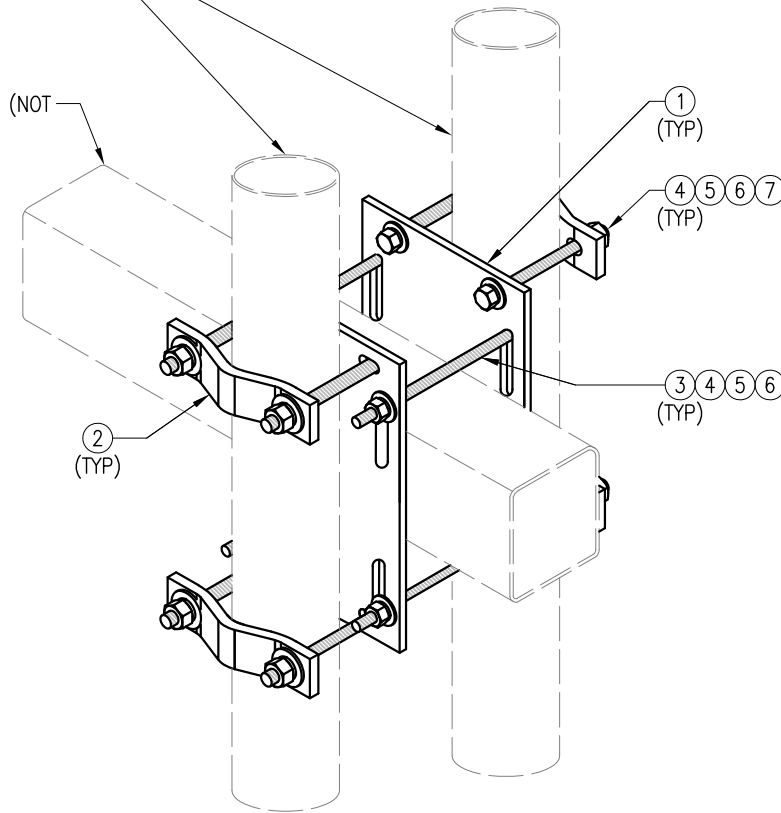


FIT UP TO 4.50" O.D. PIPE
(NOT INCLUDED IN THIS KIT)

FIT UP TO 6" X 6" TUBE (NOT
INCLUDED IN THIS KIT)



ISOMETRIC VIEW
BACK TO BACK CROSSOVER

TES-SS-MSK6 (BACK TO BACK CROSSOVER)

ITEM NO.	QTY.	PART NO.	DESCRIPTION	SHEET #	WT
1	2	PL375-8512	PL 3/8" X 8 1/2" X 1'-0" A36	MSK6-F2	20.7
2	4	VCP	PL 1/2" X 2" X 8 5/8" A36 BENT PLATE	MSK6-F1	9.6
3	4	---	THREADED ROD 5/8" DIA. X 10" Fy=36 KSI HDG	---	---
4	16	NUT-625	5/8" HDG HEX NUT	---	2
5	16	FW-625	5/8" HDG USS FLAT WASHER	---	1
6	16	LW-625	5/8" HDG LOCK WASHER	---	0
7	8	---	BOLT 5/8" X 6" SAE GRADE 5 ALL THREAD	---	1
GALVANIZED WT					34

NOTES:
1. HOT-DIPPED GALVANIZED PER ASTM A123.

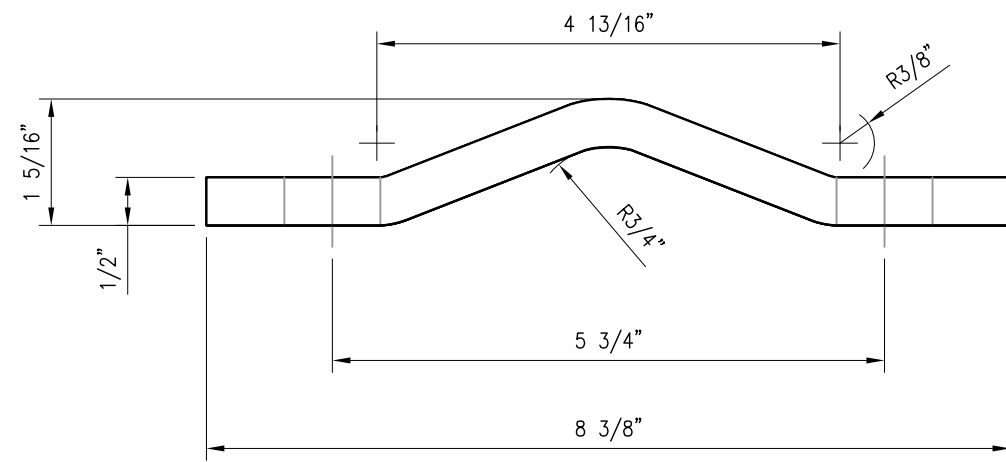
DRAWN BY: JM CHECKED BY: KW

REV.	DESCRIPTION	BY	DATE
1	FIRST ISSUE	JM	07/18/23

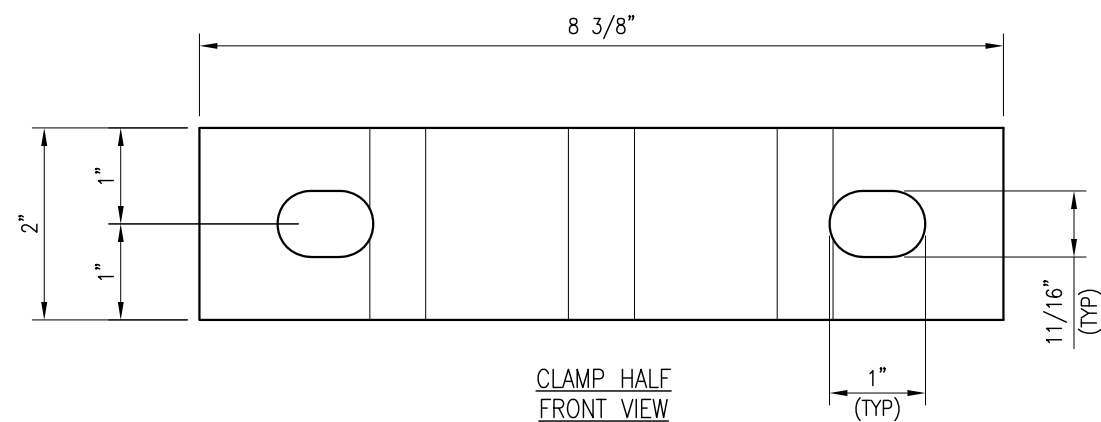
SHEET TITLE:
TES-SS-MSK6
BACK TO BACK
CROSSOVER

SHEET NUMBER:
TES-SS-MSK6

REV #:
0

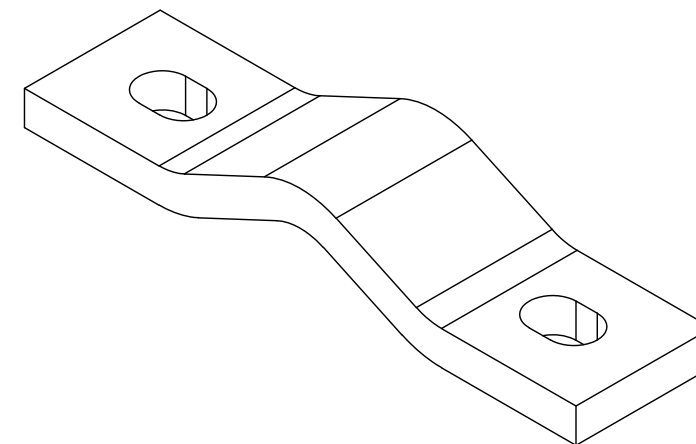


CLAMP HALF
TOP VIEW



CLAMP HALF
FRONT VIEW

VCP
PL 1/2" X 2" X 8 5/8" A36 BENT PLATE
(2.4 LBS)



CLAMP HALF
ISOMETRIC VIEW

- NOTES:
 1. HOT-DIPPED GALVANIZED PER ASTM A123.
 2. FIT UP TO 4 1/2" O.D. PIPE

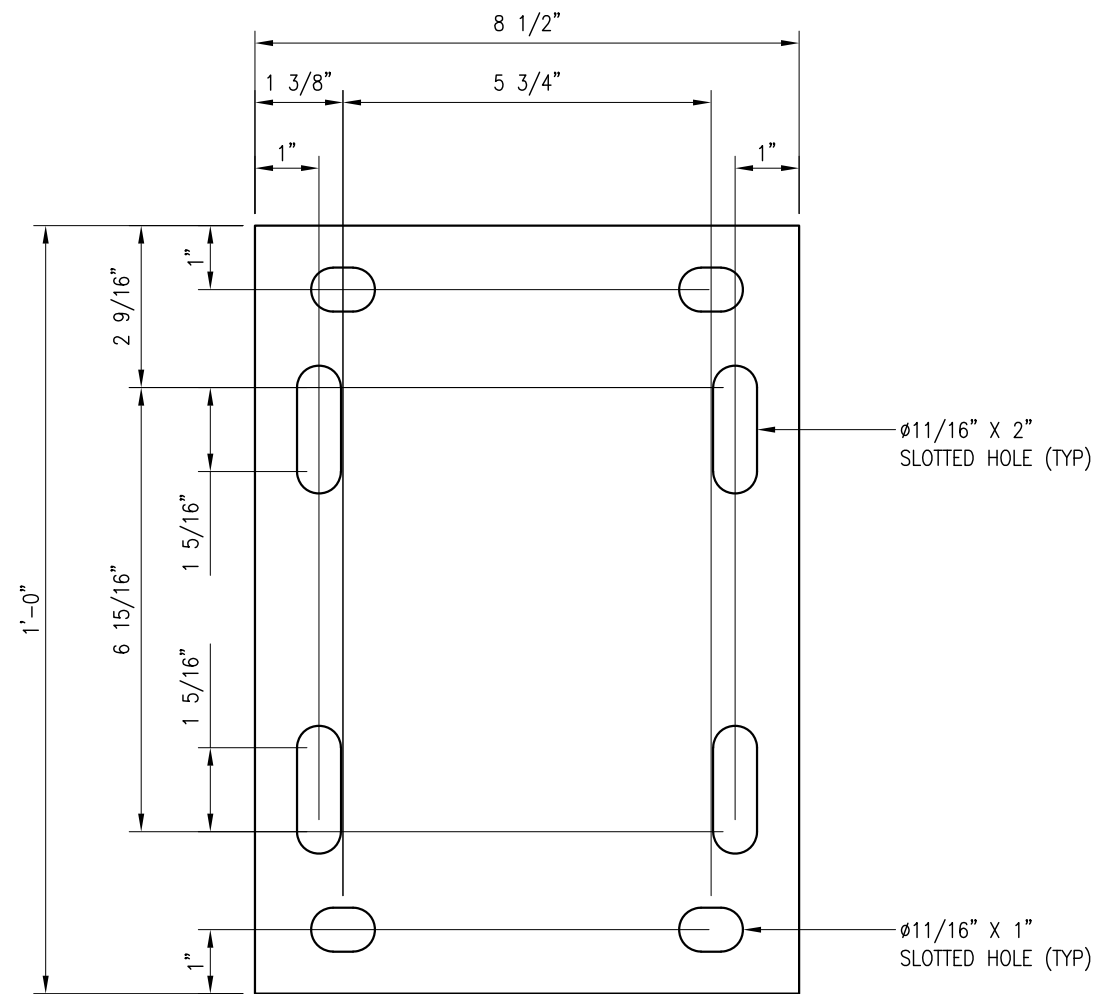
DRAWN BY: JM CHECKED BY: KW

REV.	DESCRIPTION	BY	DATE
1	FIRST ISSUE	JM	07/18/23

SHEET TITLE:

FABRICATION DETAILS

SHEET NUMBER: MSK6-F1 REV #: 0



PL375-8512
 PL 3/8" X 8 1/2" X 1'-0" A36
 (11.17 LBS)

- NOTES:
 1. HOT-DIPPED GALVANIZED PER ASTM A123.
 2. FIT UP TO 4 1/2" O.D. PIPE

DRAWN BY: JM CHECKED BY: KW

REV.	DESCRIPTION	BY	DATE
1	FIRST ISSUE	JM	07/18/23

SHEET TITLE:

FABRICATION DETAILS

SHEET NUMBER: REV #:

MSK6-F2 0