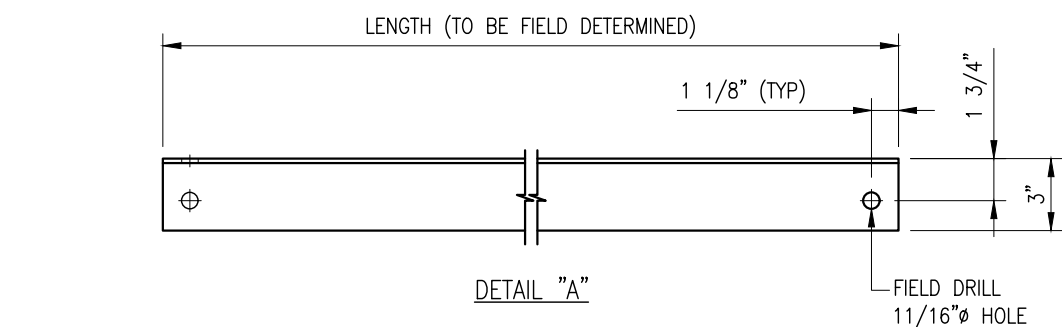
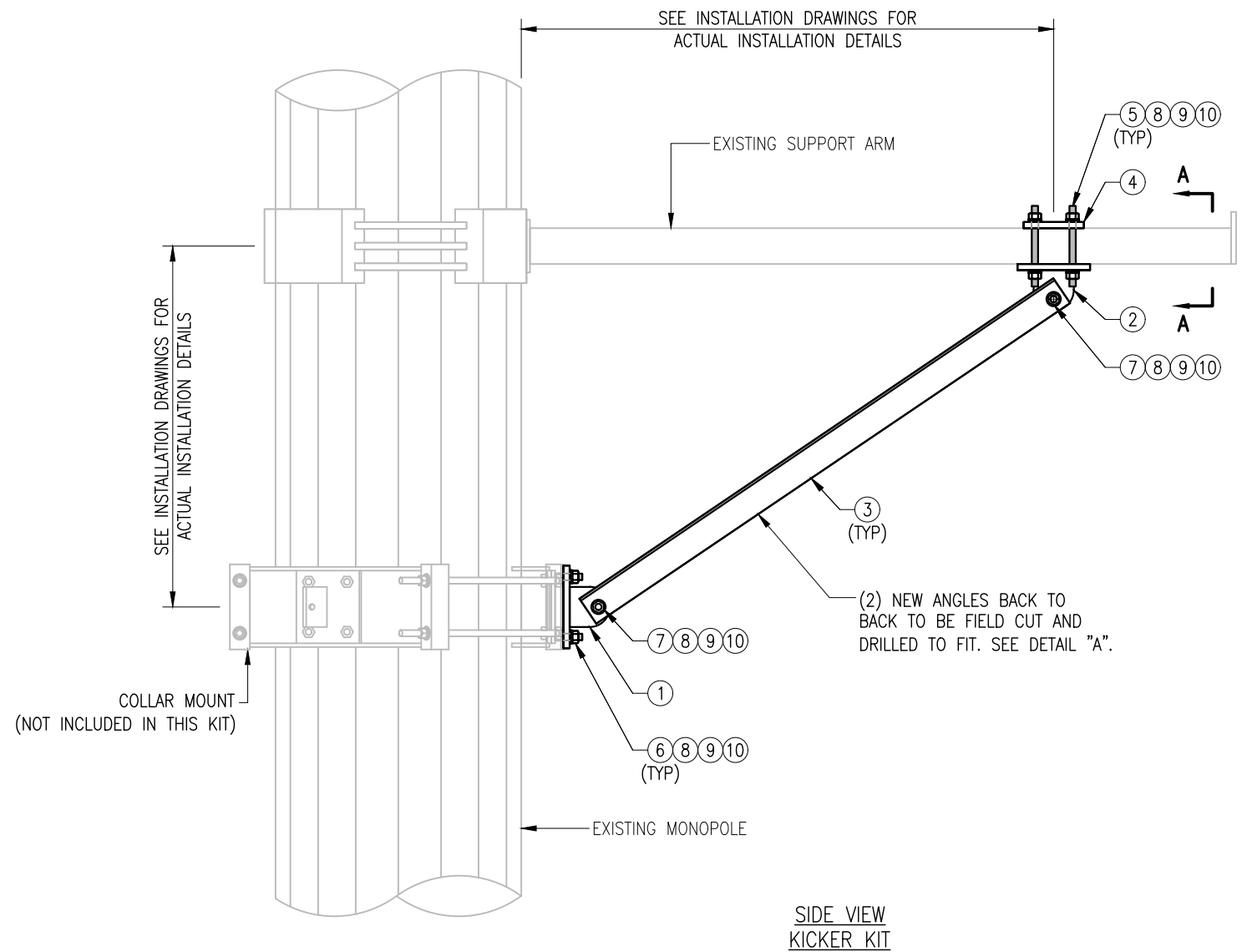
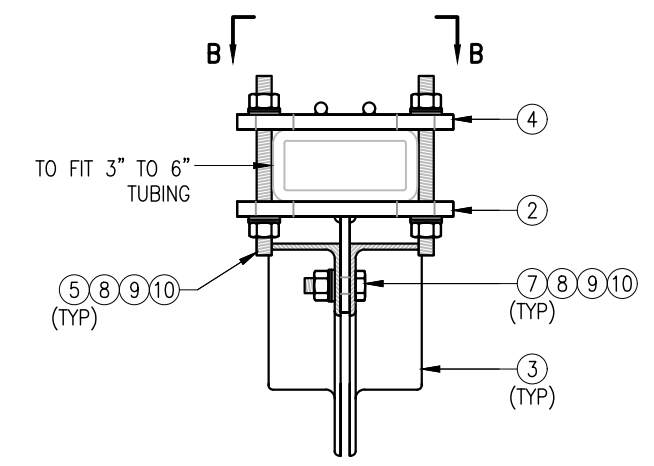


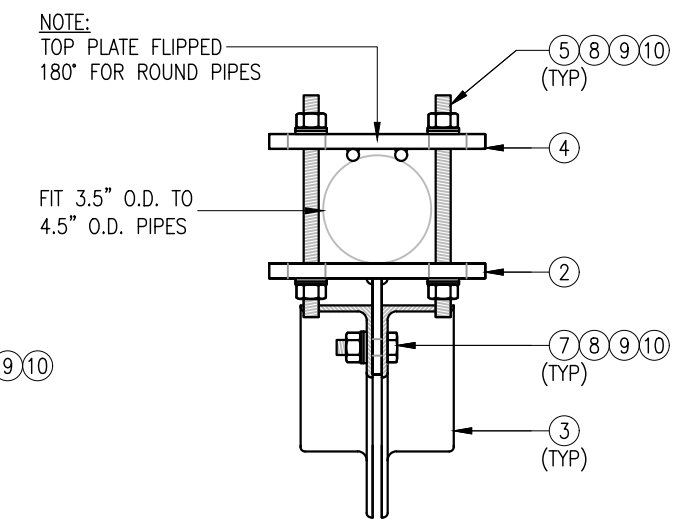
NOTE:  
THE LOCATION OF KICKER AND EXISTING ANTENNA MOUNT SHOWN ON THE DRAWING IS FOR REPRESENTATION PURPOSE ONLY. SEE INSTALLATION DRAWINGS FOR ACTUAL INSTALLATION OF DETAILS.



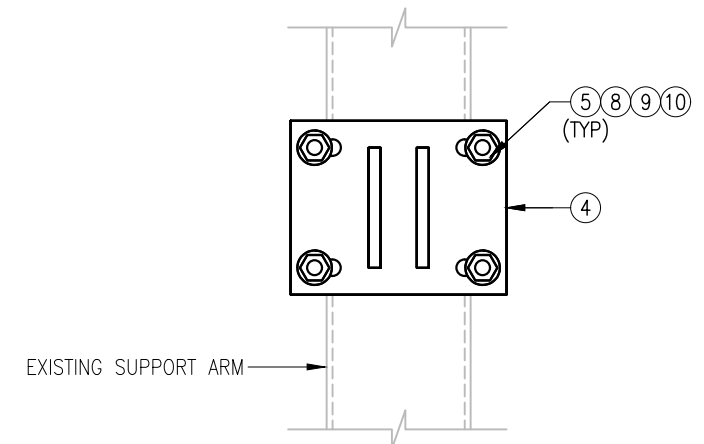
NOTES:  
1. ALL HOLES ARE 11/16" DIA. U.N.O  
2. HOT-DIPPED GALVANIZED PER ASTM A123.  
3. FIT UP TO 6" SQ. TUBING OR 4 1/2" O.D. PIPE



SECTION "A-A"  
RECT. HSS MOUNTING



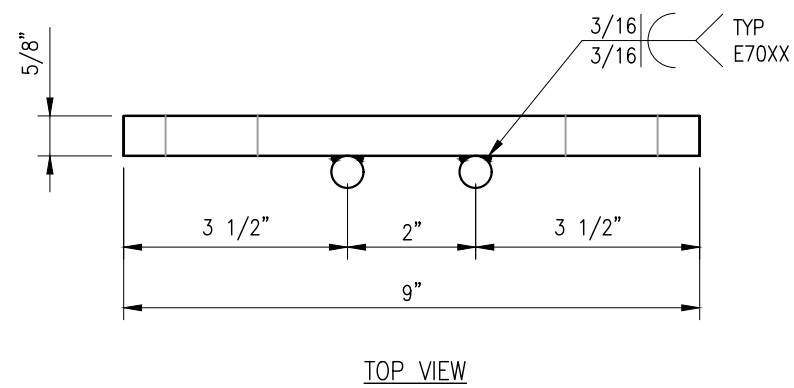
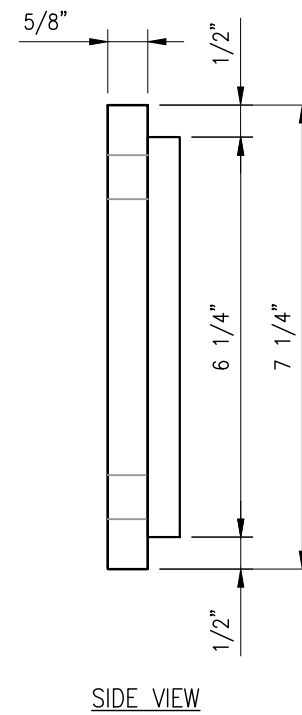
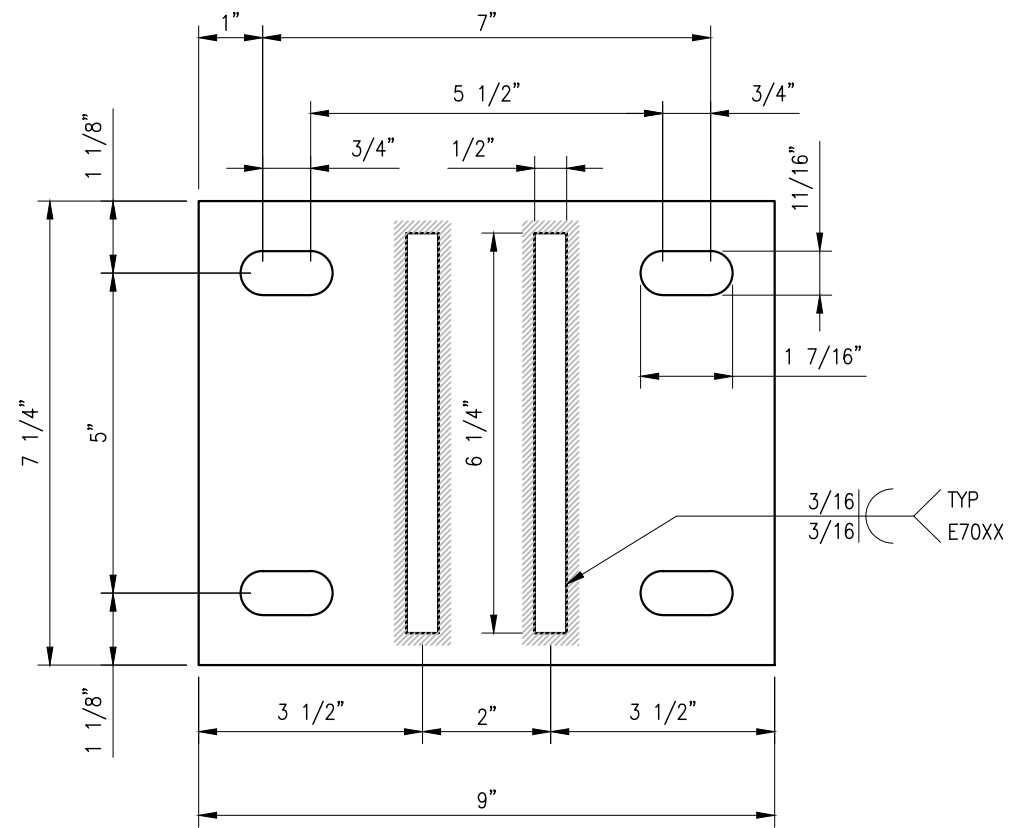
SECTION "A-A"  
ROUND PIPE MOUNTING



SECTION "B-B"

TES-SS-PLK5 (KICKER KIT)					
ITEM NO.	QTY.	PART NO.	DESCRIPTION	SHEET #	WT
1	3	BRKW-XXX	BRACKET WELDMENT A36	PLK5-F3	39.09
2	3	BRKW-XXXX	BRACKET WELDMENT A36	PLK5-F2	37.50
3	6	L331875-8	L 3" X 3" X 3/16" X 8'-0" A36	PLK5-F4	182.9
4	3	PL-KI	PL 5/8" X 7-1/4" X 9" A36	PLK5-F1	39.06
5	12	---	THREADED ROD 5/8" DIA. X 1'-0" Fy = 36KSI HDG	---	---
6	12	---	BOLT 5/8" X 2 1/4" A325	---	---
7	6	---	BOLT 5/8" X 2" A325	---	---
8	42	FW-625	5/8" HDG USS FLAT WASHER	---	3
9	42	LW-625	5/8" HDG LOCK WASHER	---	1
10	42	NUT-625	5/8" HDG HEX NUT	---	5
GALVANIZED WT					299

DRAWN BY: MN		CHECKED BY: KW/FL	
REV.	DESCRIPTION	BY	DATE
△	FIRST ISSUE	MN	07/18/23
△			
△			
△			
SHEET TITLE:			
TES-SS-PLK5 KICKER KIT			
SHEET NUMBER:		REV #:	
TES-SS-PLK5		0	



PL-KI  
BACKING PLATE

DRAWN BY: MN CHECKED BY: KW/FL

REV.	DESCRIPTION	BY	DATE
1	FIRST ISSUE	MN	07/18/23

SHEET TITLE:

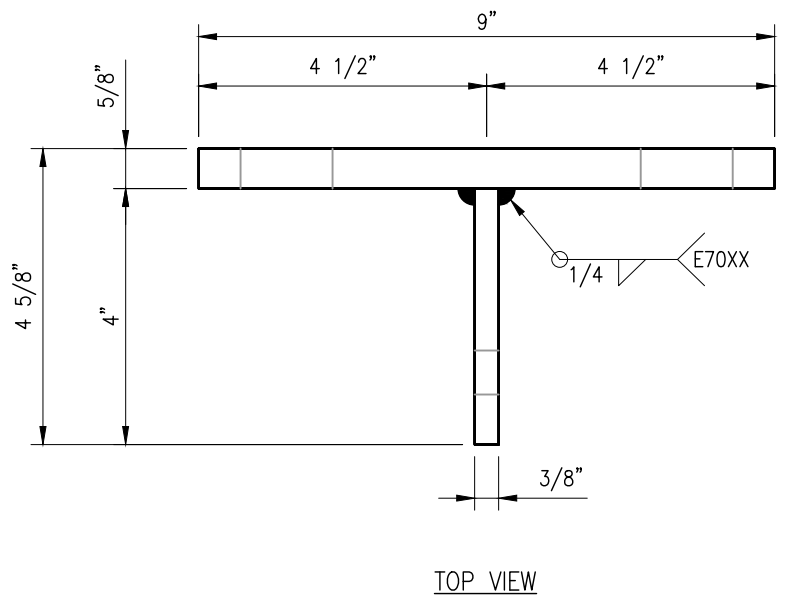
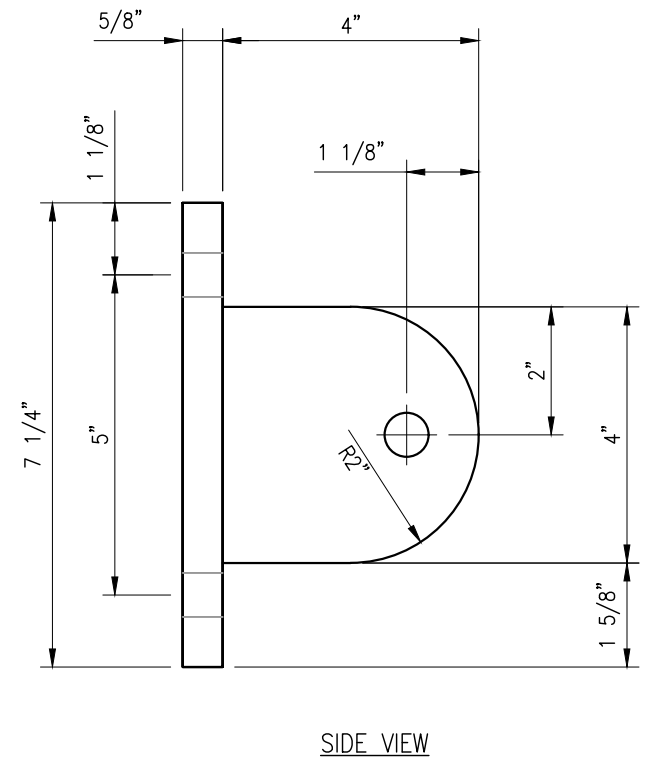
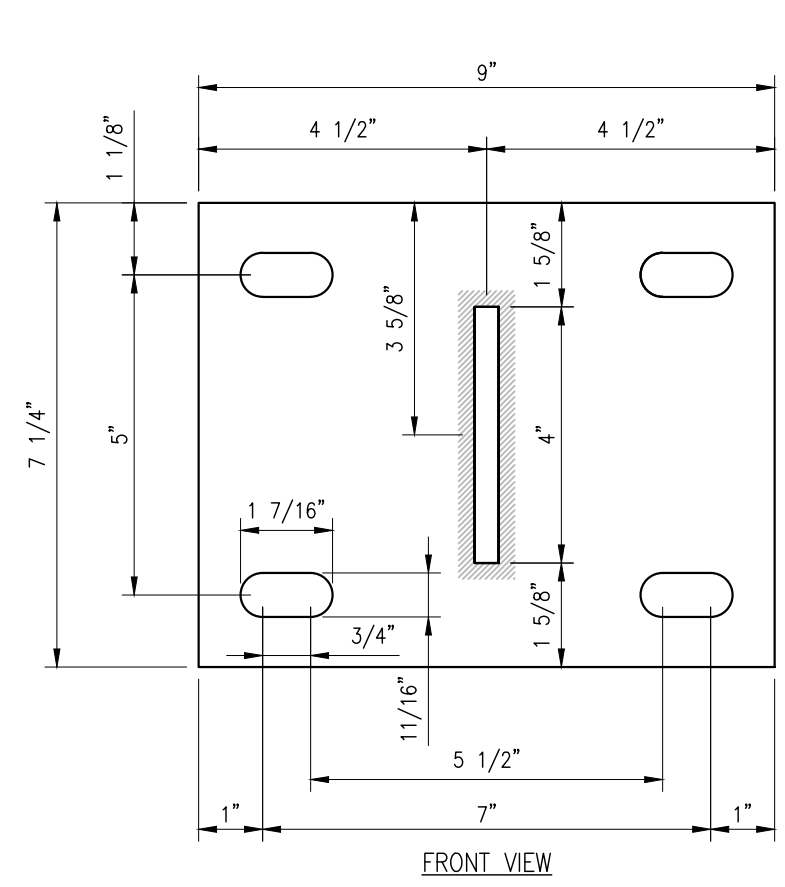
FABRICATION DETAILS

SHEET NUMBER:

PLK5-F1

REV #:

0



BRKW-XXXX  
WELDMENT BRACKET @ SUPPORT ARM

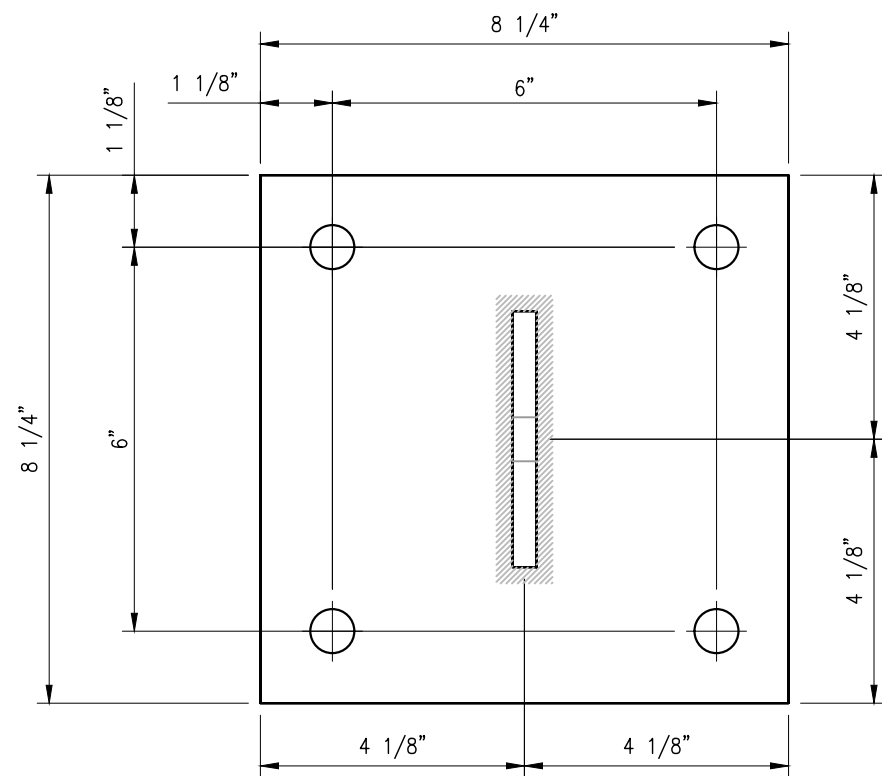
DRAWN BY: MN CHECKED BY: KW/FL

REV.	DESCRIPTION	BY	DATE
1	FIRST ISSUE	MN	07/18/23

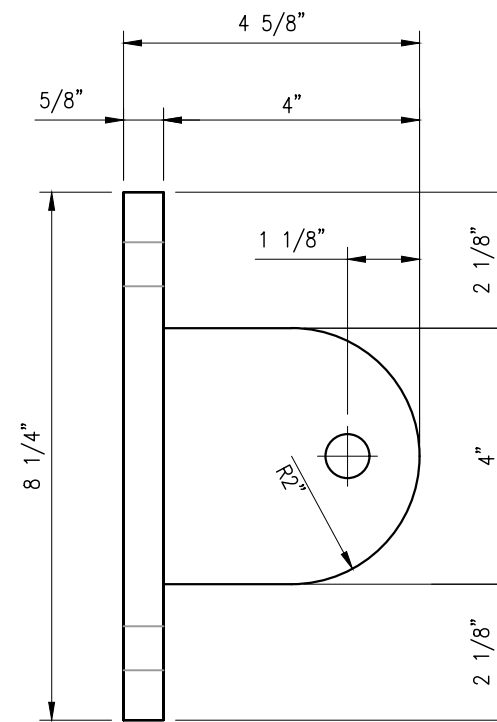
SHEET TITLE:

FABRICATION DETAILS

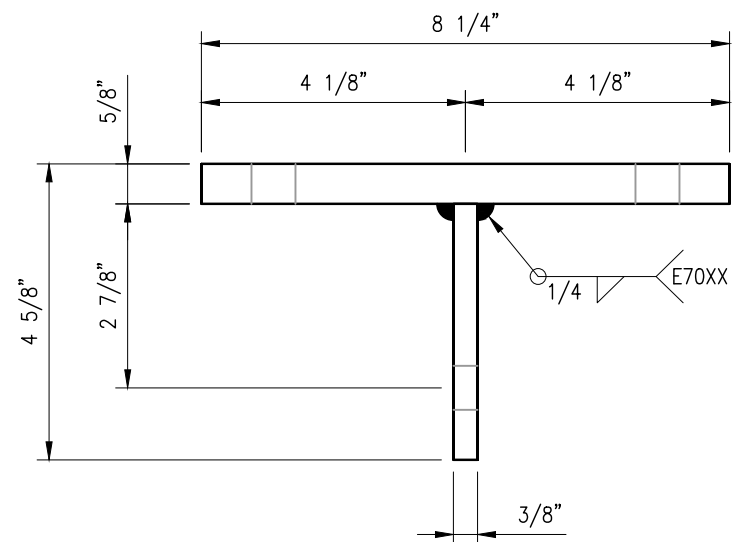
SHEET NUMBER: PLK5-F2 REV #: 0



FRONT VIEW



SIDE VIEW



TOP VIEW

BRKW-XXX  
WELDMENT BRACKET @ COLLAR MOUNT

DRAWN BY: MN CHECKED BY: KW/FL

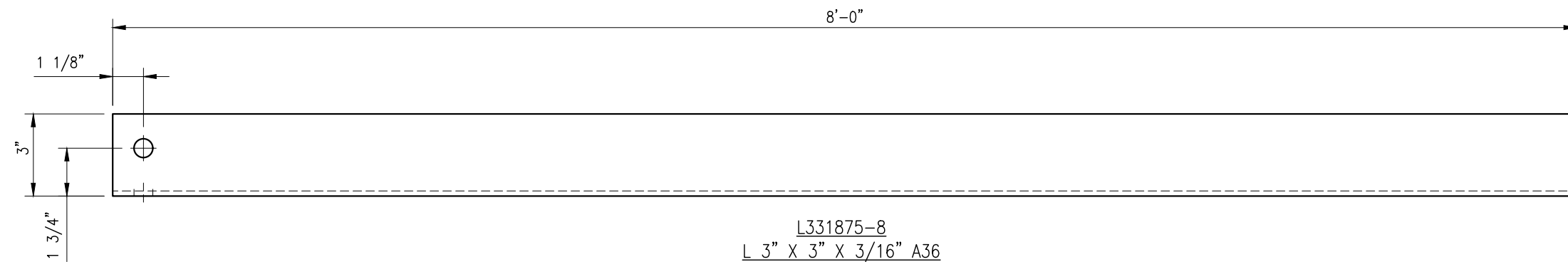
REV.	DESCRIPTION	BY	DATE
1	FIRST ISSUE	MN	07/18/23

SHEET TITLE:

FABRICATION DETAILS

SHEET NUMBER: REV #:

PLK5-F3 0



L331875-8  
 L 3" X 3" X 3/16" A36  
 (30.49 LBS)

NOTES:

1. ALL HOLES ARE 11/16" DIA. U.N.O
2. HOT-DIPPED GALVANIZED PER ASTM A123.

DRAWN BY: MN CHECKED BY: KW/FL

REV.	DESCRIPTION	BY	DATE
1	FIRST ISSUE	MN	07/18/23

SHEET TITLE:

FABRICATION DETAILS

SHEET NUMBER:

PLK5-F4

REV #:

0