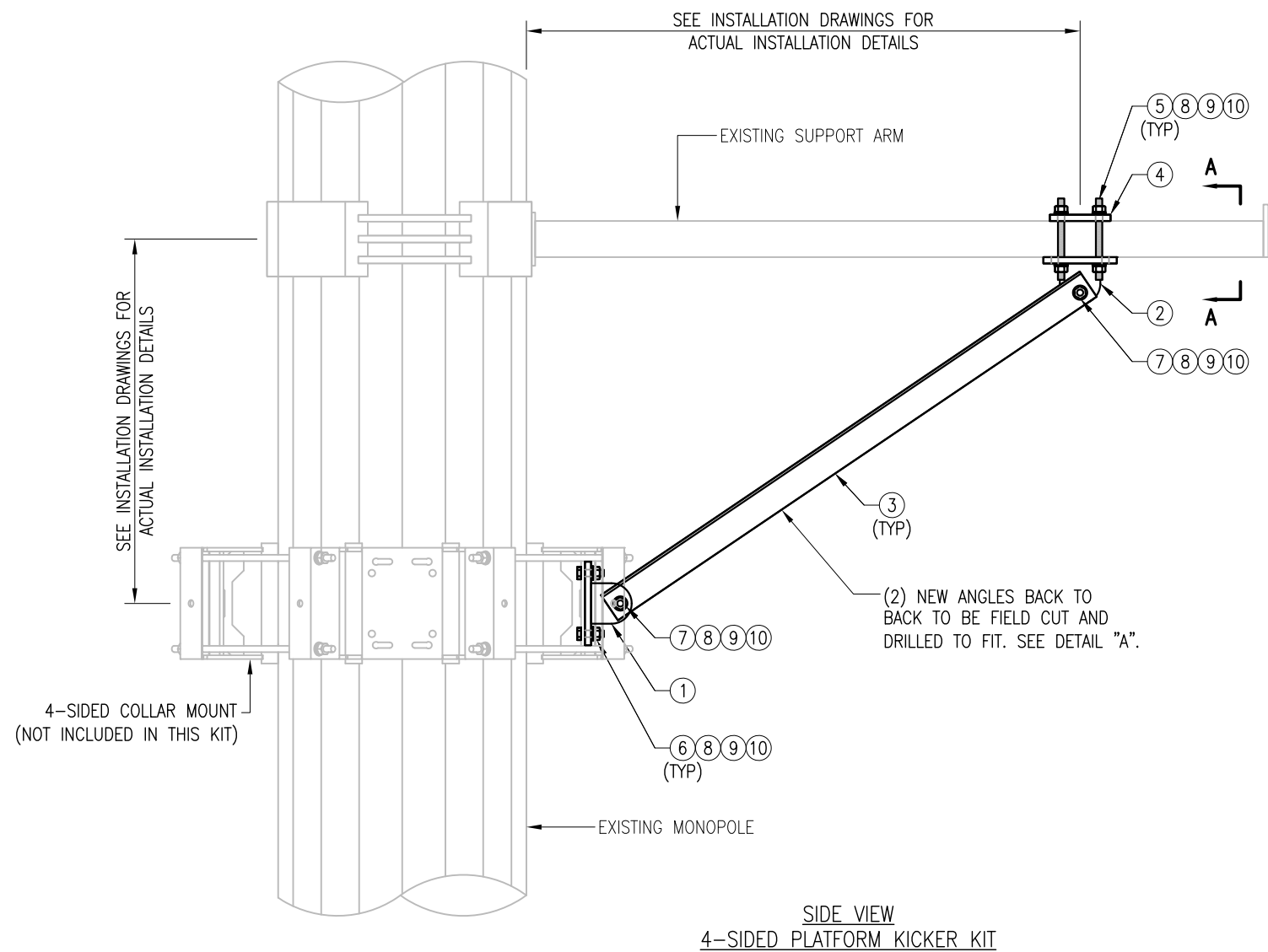
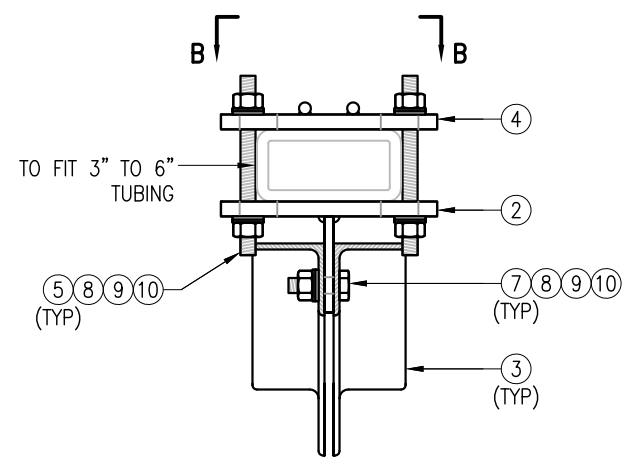


NOTE:  
THE LOCATION OF KICKER AND EXISTING ANTENNA MOUNT SHOWN ON THE DRAWING IS FOR REPRESENTATION PURPOSE ONLY. SEE INSTALLATION DRAWINGS FOR ACTUAL INSTALLATION OF DETAILS.

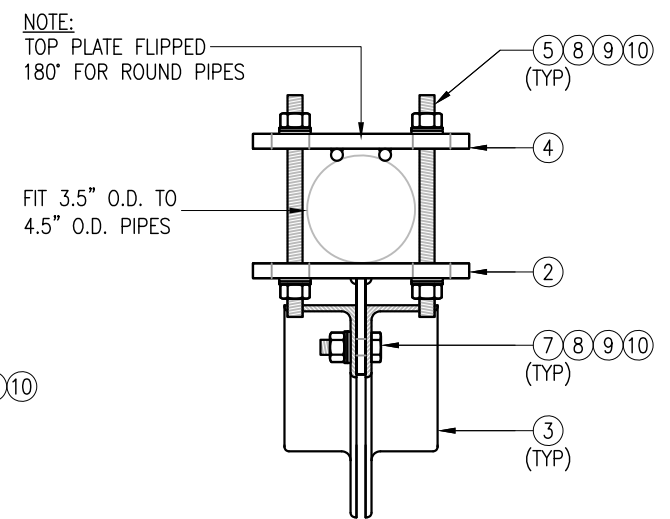


4-SIDED COLLAR MOUNT  
(NOT INCLUDED IN THIS KIT)

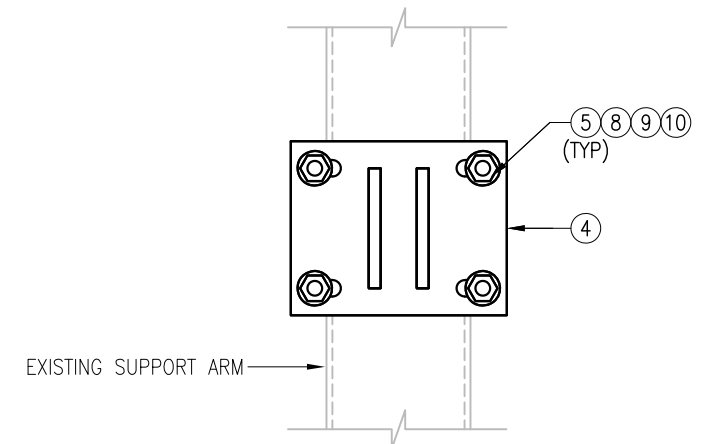
SIDE VIEW  
4-SIDED PLATFORM KICKER KIT



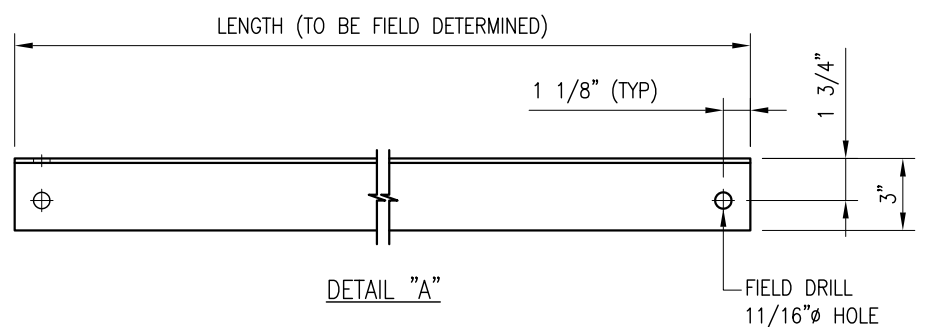
SECTION "A-A"  
RECT. HSS MOUNTING



SECTION "A-A"  
ROUND PIPE MOUNTING



SECTION "B-B"



DETAIL "A"

TES-SS-PLK5Q (4-SIDED KICKER PLATFORM KIT)					
ITEM NO.	QTY.	PART NO.	DESCRIPTION	SHEET #	WT
1	4	BRKW-XXX	BRACKET WELDMENT A36	PLK5-F3	52.12
2	4	BRKW-XXXX	BRACKET WELDMENT A36	PLK5-F2	50.00
3	8	L331875-8	L 3" X 3" X 3/16" X 8'-0" A36	PLK5-F4	243.9
4	4	PL-KI	PL 5/8" X 0'-7 1/4" X 9" A36	PLK5-F1	52.08
5	16	---	THREADED ROD 5/8" DIA. X 1'-0" Fy = 36KSI HDG	---	---
6	16	---	BOLT 5/8" X 2 1/4" A325	---	---
7	8	---	BOLT 5/8" X 2" A325	---	---
8	56	FW-625	5/8" HDG USS FLAT WASHER	---	4
9	56	LW-625	5/8" HDG LOCK WASHER	---	1
10	56	NUT-625	5/8" HDG HEX NUT	---	7
GALVANIZED WT					398

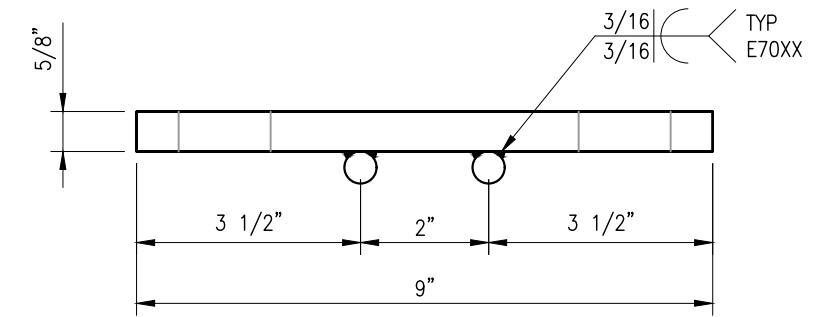
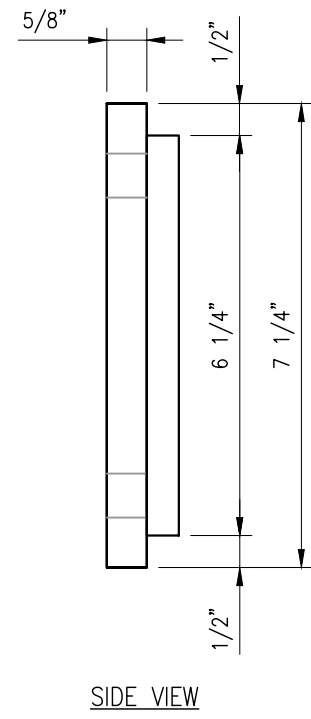
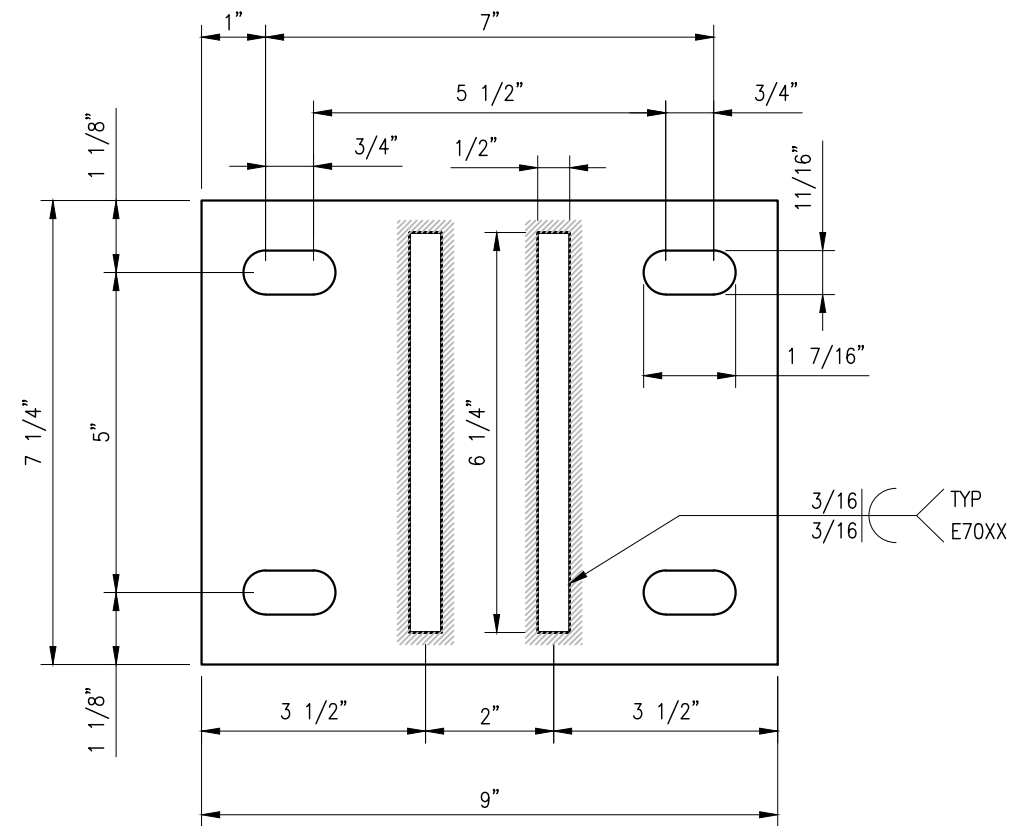
NOTES:  
1. ALL HOLES ARE 11/16" DIA. U.N.O  
2. HOT-DIPPED GALVANIZED PER ASTM A123.  
3. FIT UP TO 6" SQ. TUBING OR 4 1/2" O.D. PIPE

DRAWN BY: MM      CHECKED BY: KW/FL

REV.	DESCRIPTION	BY	DATE
1	FIRST ISSUE	MM	07/18/23

SHEET TITLE:  
TES-SS-PLK5Q  
4-SIDED PLATFORM  
KICKER KIT

SHEET NUMBER: TES-SS-PLK5Q      REV #: 0



FRONT VIEW

SIDE VIEW

TOP VIEW

PL-KI  
BACKING PLATE

DRAWN BY: MM CHECKED BY: KW/FL

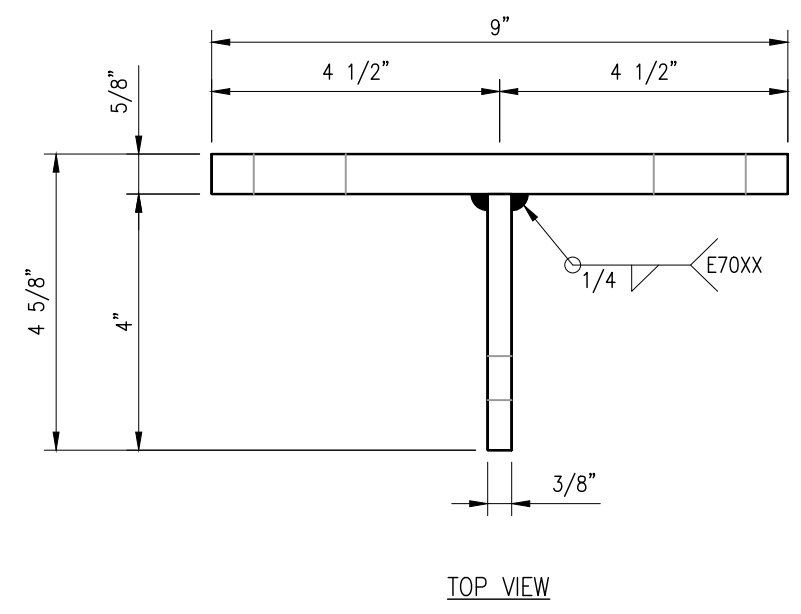
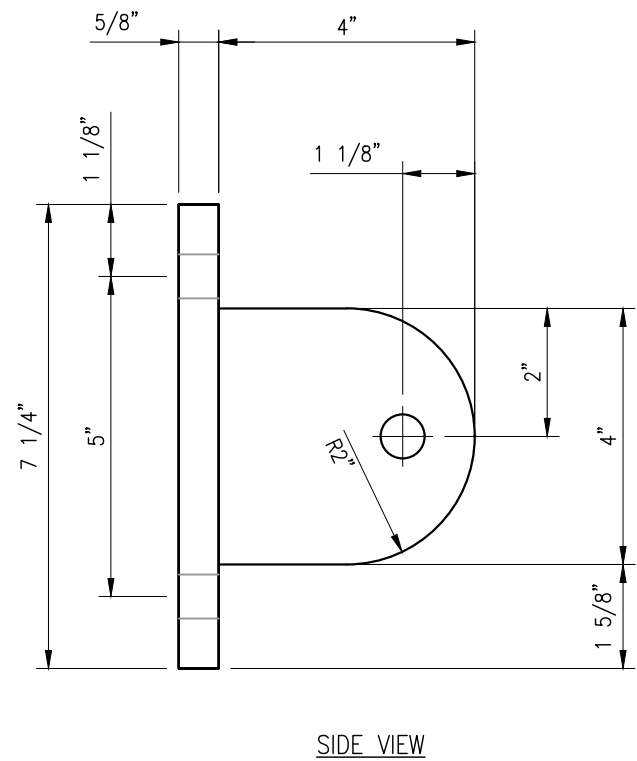
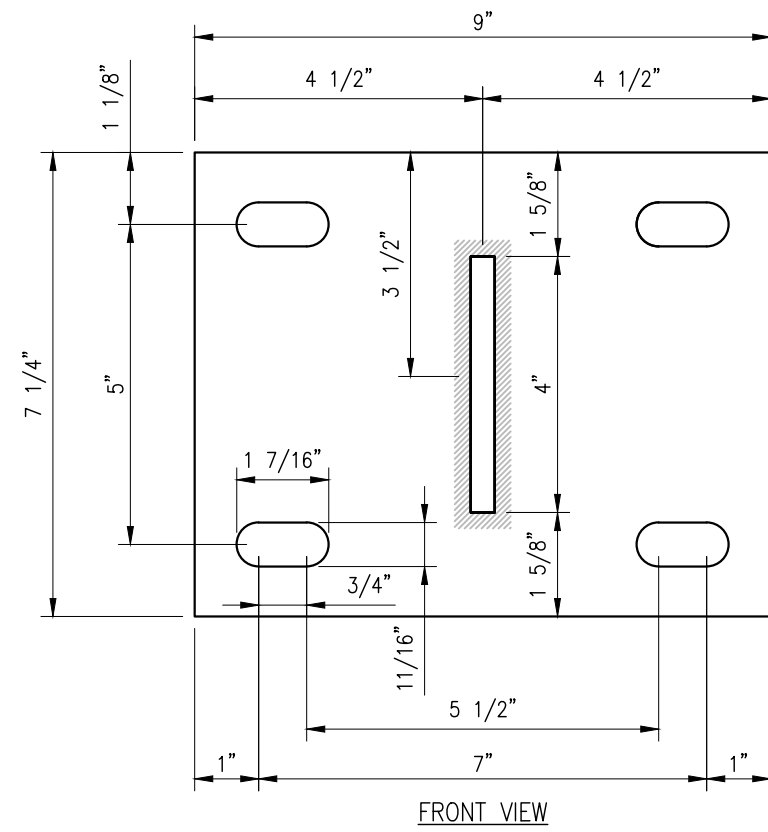
REV.	DESCRIPTION	BY	DATE
1	FIRST ISSUE	MM	07/18/23

SHEET TITLE:

FABRICATION DETAILS

SHEET NUMBER: REV #:

PLK5-F1 0



BRKW-XXXX  
WELDMENT BRACKET @ SUPPORT ARM

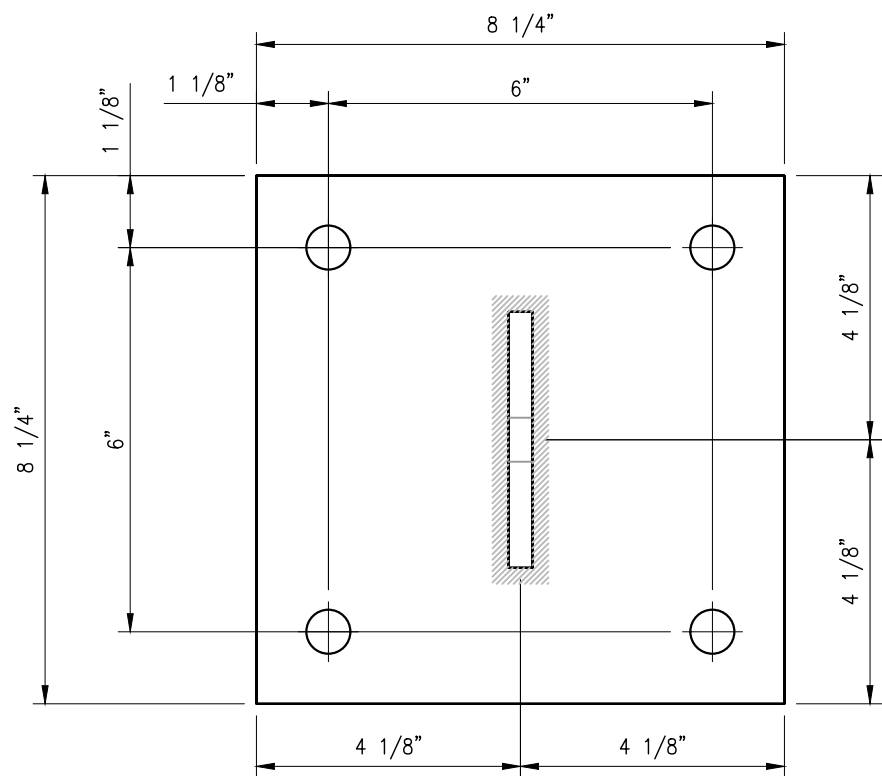
DRAWN BY: MM CHECKED BY: KW/FL

REV.	DESCRIPTION	BY	DATE
△	FIRST ISSUE	MM	07/18/23
△			
△			
△			

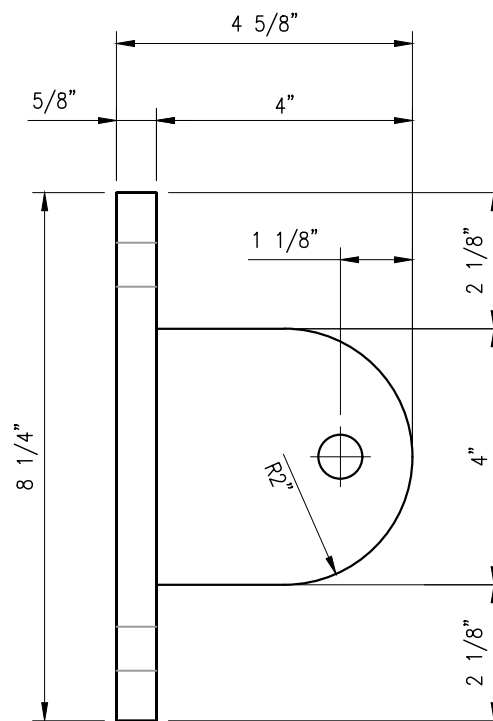
SHEET TITLE:

FABRICATION DETAILS

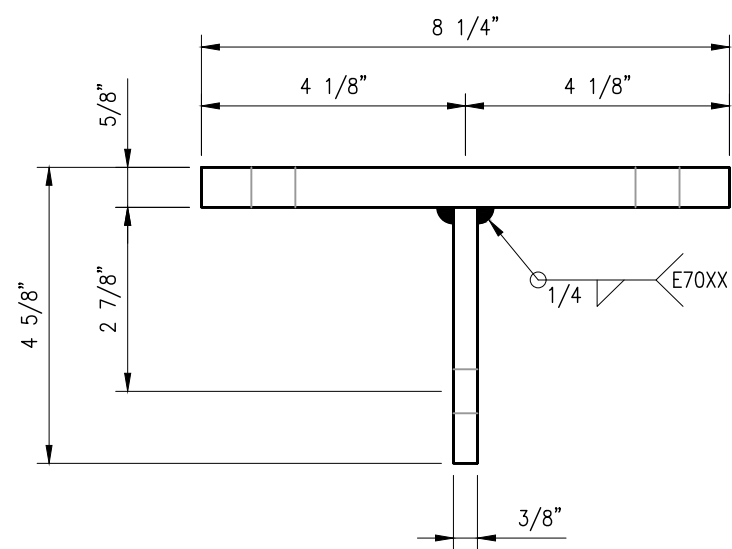
SHEET NUMBER: PLK5-F2 REV #: 0



FRONT VIEW



SIDE VIEW



TOP VIEW

BRKW-XXX  
WELDMENT BRACKET @ COLLAR MOUNT

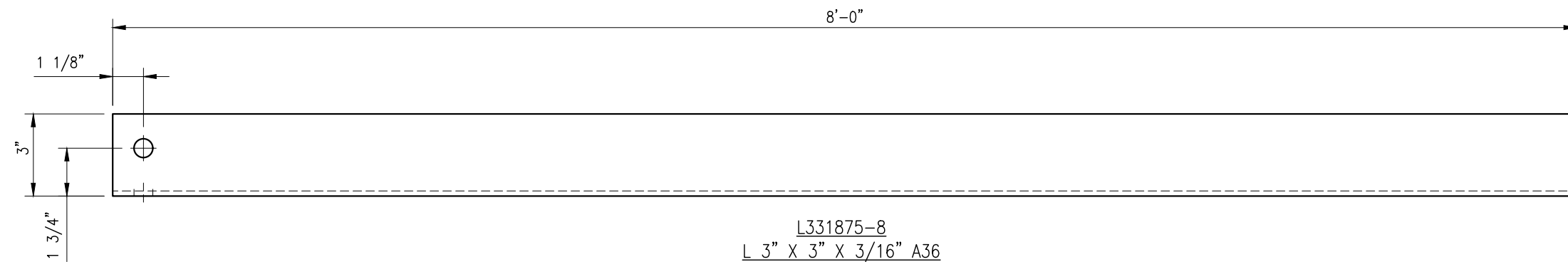
DRAWN BY: MM CHECKED BY: KW/FL

REV.	DESCRIPTION	BY	DATE
1	FIRST ISSUE	MM	07/18/23

SHEET TITLE:

FABRICATION DETAILS

SHEET NUMBER: PLK5-F3 REV #: 0



**NOTES:**

1. ALL HOLES ARE 11/16" DIA. U.N.O
2. HOT-DIPPED GALVANIZED PER ASTM A123.

DRAWN BY: MM      CHECKED BY: KW/FL

REV.	DESCRIPTION	BY	DATE
△	FIRST ISSUE	MM	07/18/23
△	_____	_____	_____
△	_____	_____	_____
△	_____	_____	_____

SHEET TITLE:

FABRICATION DETAILS

SHEET NUMBER:      REV #:

PLK5-F4      0