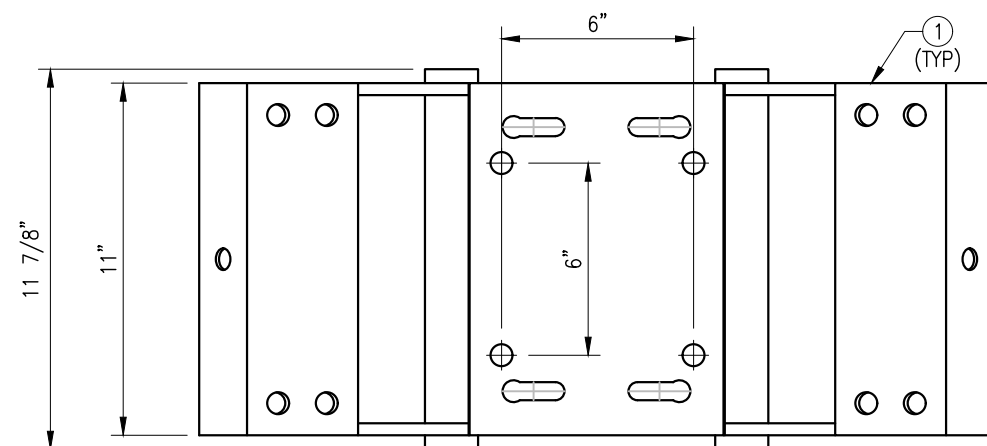


PLAN VIEW
MONOPOLE COLLAR MOUNT ASSEMBLY



FRONT VIEW

NOTES:

1. FIT 10" TO 45" DIA MONOPOLE.
2. HOT-DIPPED GALVANIZED PER ASTM A123.

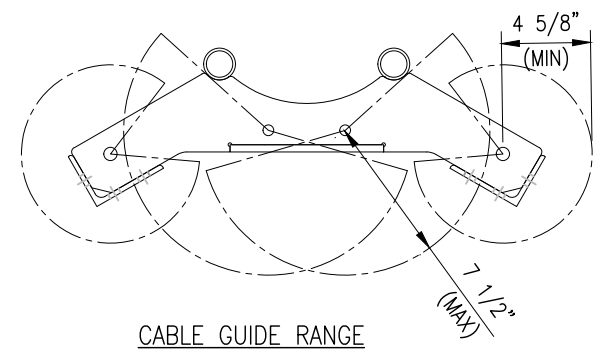
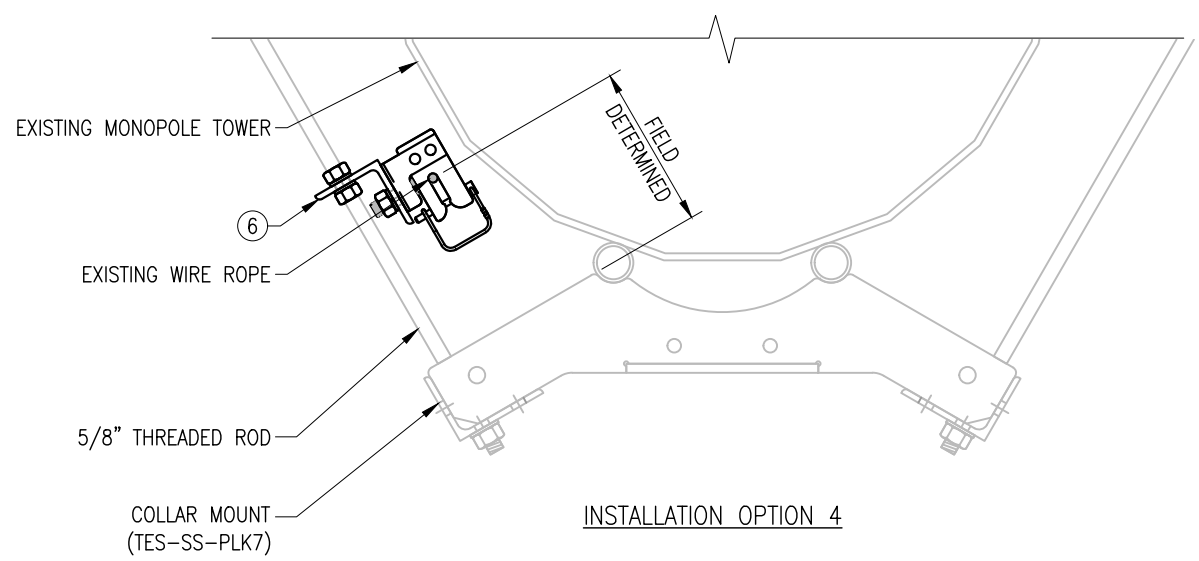
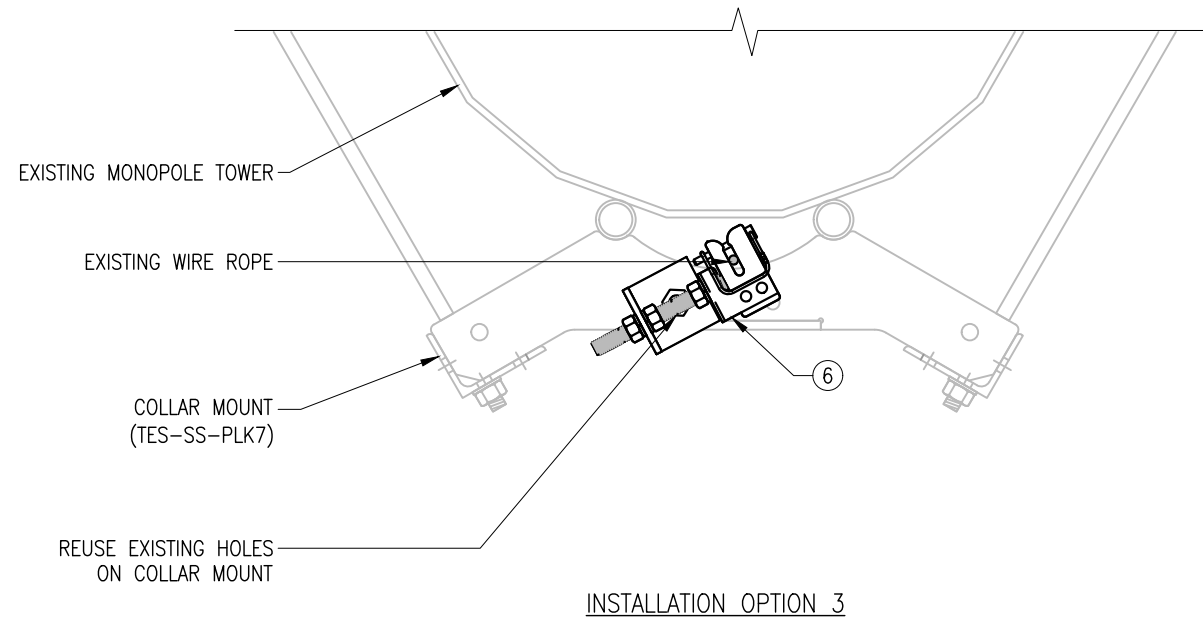
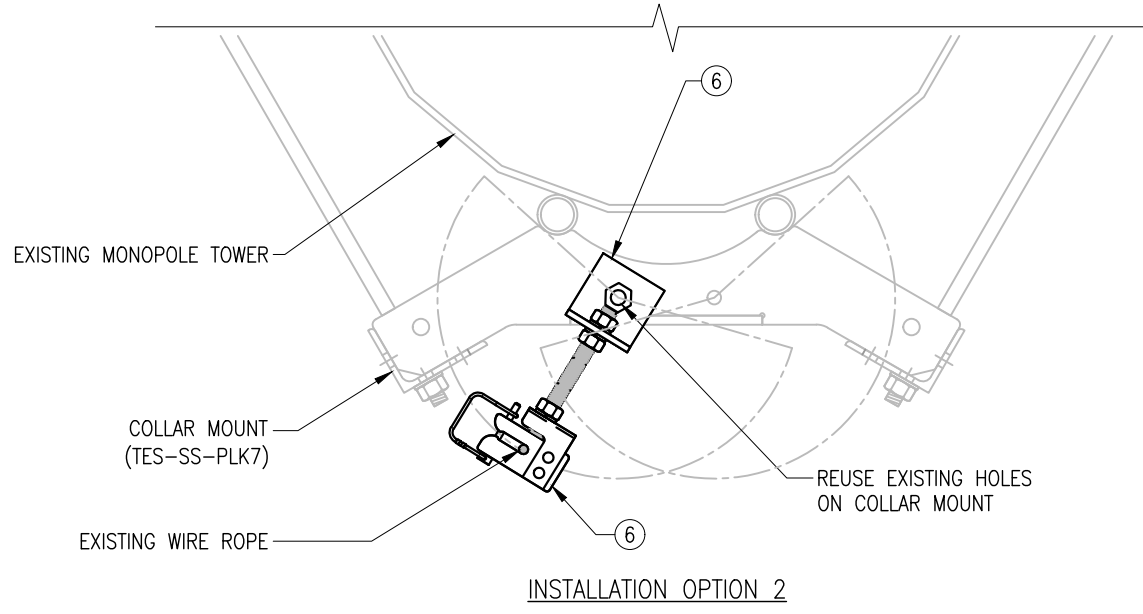
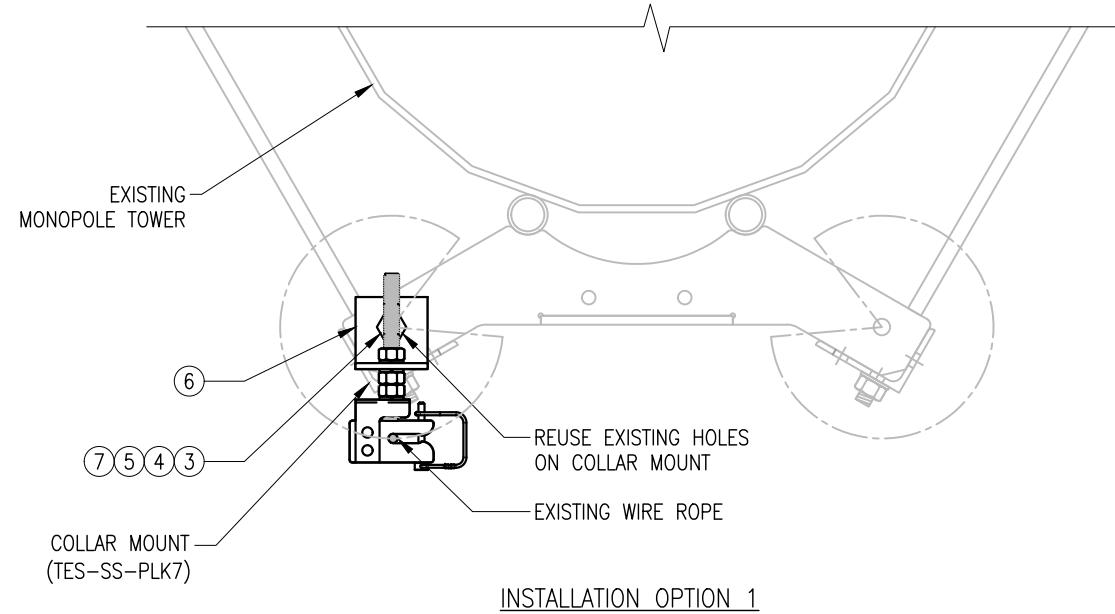
TES-SS-PLK7 (MONOPOLE COLLAR MOUNT ASSEMBLY)					
ITEM NO.	QTY.	PART NO.	DESCRIPTION	SHEET #	WT
1	3	CM-1245	COLLAR MOUNT ASSEMBLY	PLK7-F1	147
2	6	---	THREADED ROD 5/8" X 4'-0" A193-B7	---	0
3	13	FW-625	5/8" HDG USS FLAT WASHER	---	1
4	13	LW-625	5/8" HDG LOCK WASHER	---	0
5	13	NUT-625	5/8" HDG HEX NUT	---	2
6	1	TES-SS-MSK16	STUD MOUNTED WIRE ROPE GUIDE WITH CLIP ANGLE	---	2
7	1	---	BOLT 5/8" X 1 3/4" FULL-THREAD SAE GR-5	---	--
GALVANIZED WT					152

DRAWN BY: MM CHECKED BY: KW/HA

REV.	DESCRIPTION	BY	DATE
△	FIRST ISSUE	MM	07/18/23
△			
△			
△			

SHEET TITLE:
TES-SS-PLK7
MONOPOLE COLLAR
MOUNT ASSEMBLY

SHEET NUMBER: TES-SS-PLK7	REV #: 0
------------------------------	-------------



NOTES:
1. HOT-DIPPED GALVANIZED PER ASTM A123.

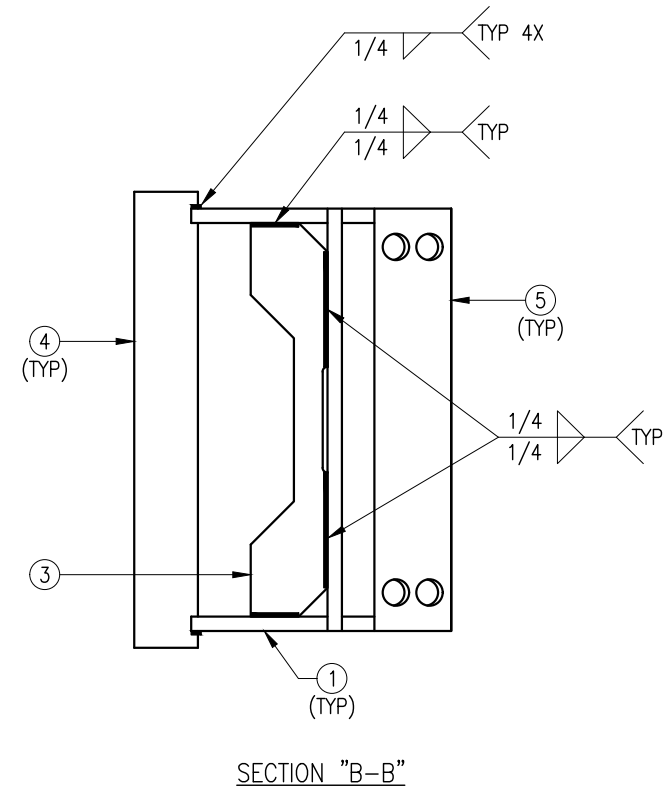
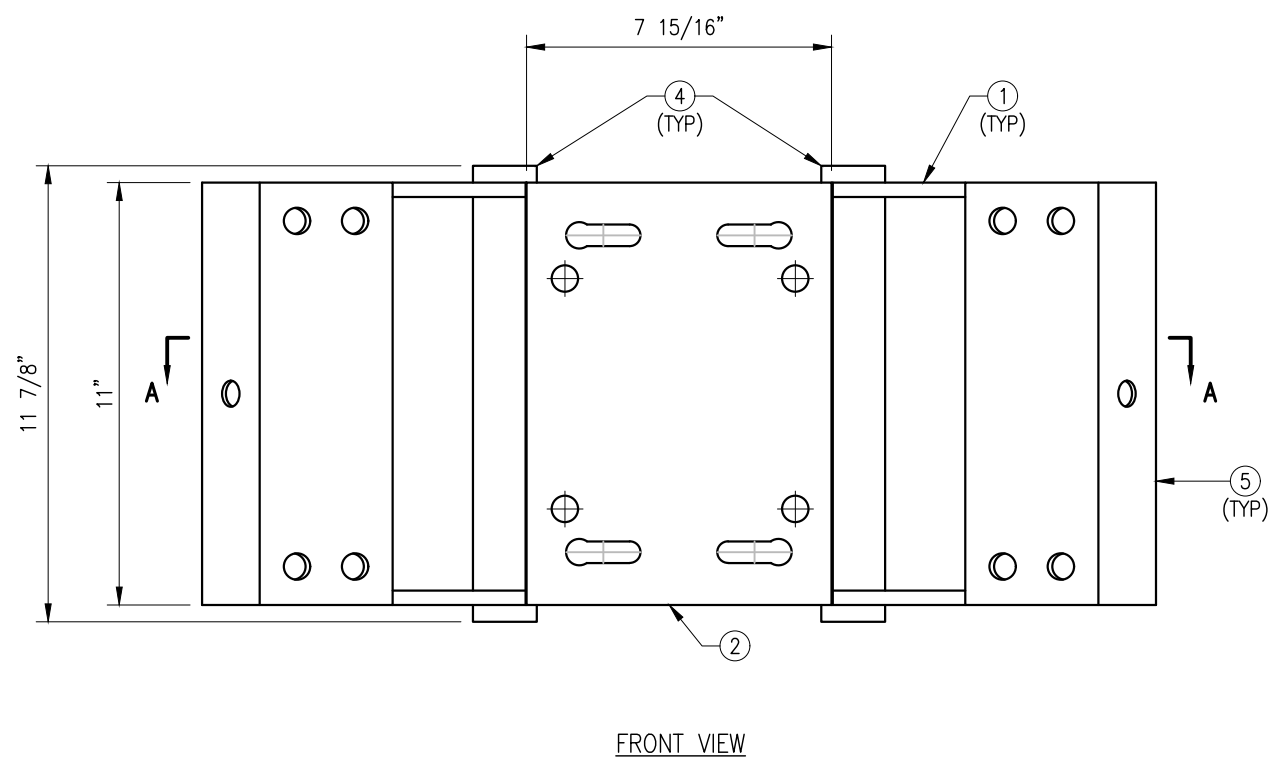
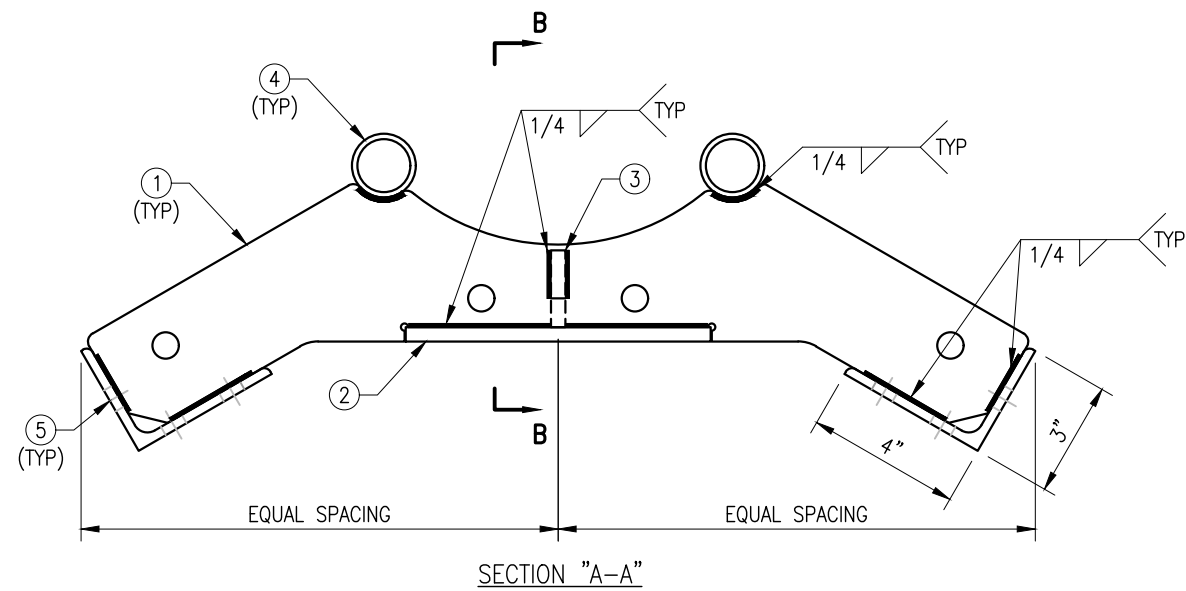
DRAWN BY: MM CHECKED BY: KW/HA

REV.	DESCRIPTION	BY	DATE
1	FIRST ISSUE	MM	07/18/23

SHEET TITLE:

TES-SS-MSK16
INSTALLATION OPTIONS

SHEET NUMBER: PLK7-F1 REV #: 0



NOTES:
 1. FIT 10" TO 45" DIA MONOPOLE.
 2. HOT-DIPPED GALVANIZED PER ASTM A123.

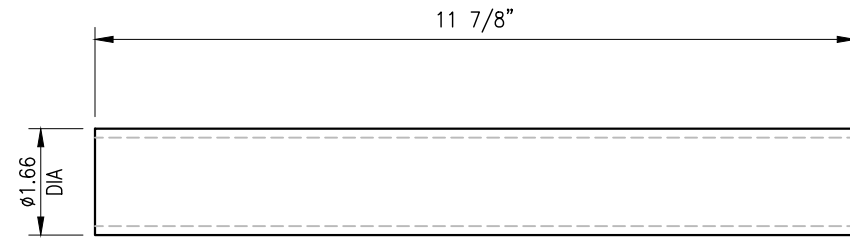
CM-1245 (MONOPOLE COLLAR MOUNT WELDMENT DETAILS)					
ITEM NO.	QTY.	PART NO.	DESCRIPTION	SHEET #	WT
1	2	PL-CM	PL 3/8" X 6 1/2" X 2'-0 1/2" A36	PLK7-F2	33
2	1	PL-CP	PL 3/8" X 7 15/16" X 11" A36	PLK7-F2	9
3	1	PL375-21025	PL 3/8" X 2" X 10 1/2" A36	PLK7-F2	2
4	2	PST166-1178	1 1/4" PST (1.66" O.D. X 0.14" THK) X 11 7/8" A500 GR-B SCH 40	PLK7-F3	4
5	2	L4325-11	L 4" X 3" X 1/4" X 11" A36	PLK7-F3	11
GALVANIZED WT					49

DRAWN BY: MM CHECKED BY: KW/HA

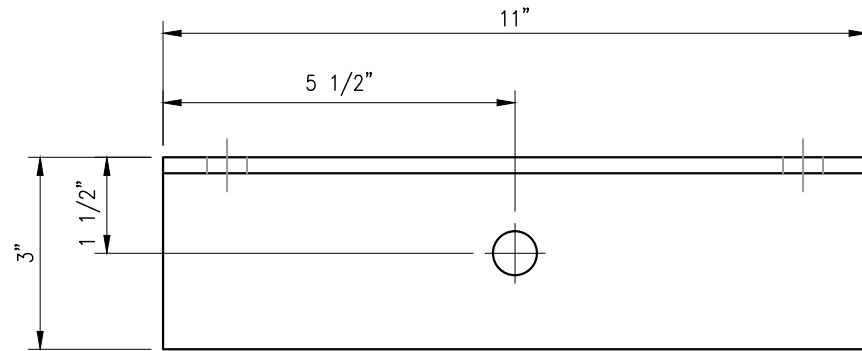
REV.	DESCRIPTION	BY	DATE
1	FIRST ISSUE	MM	07/18/23

SHEET TITLE:
 MONOPOLE COLLAR
 MOUNT WELDMENT
 DETAILS

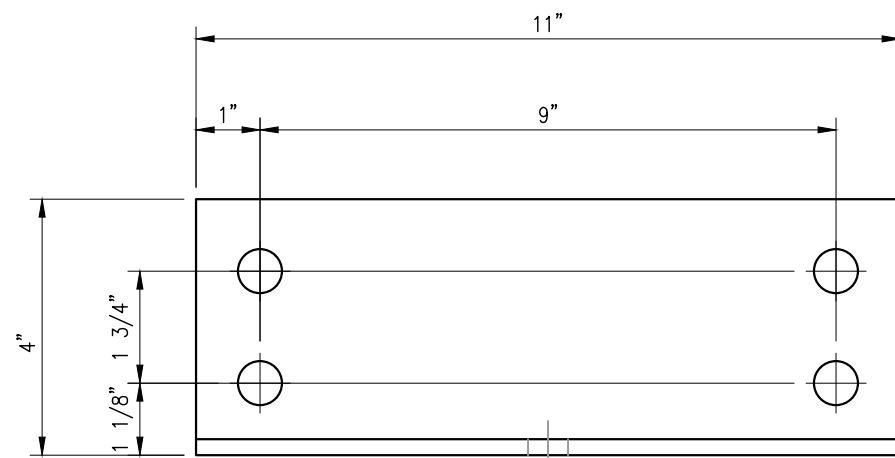
SHEET NUMBER: PLK7-F2 REV #: 0



PST166-1178
 1.25" PST PIPE (1.66" O.D. X 0.14" THICKNESS A500 GR. B SCH40)
 (2.13 LBS)

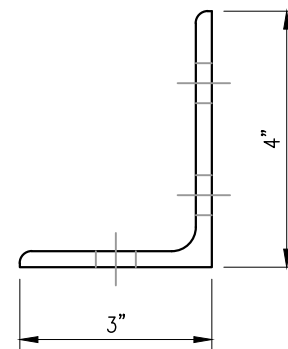


TOP VIEW



FRONT VIEW

L4325-11
 L 4" X 3" X 1/4" A36
 (5.42 LBS)



SIDE VIEW

- NOTES:
 1. ALL HOLES ARE 11/16" DIA. U.N.O
 2. HOT-DIPPED GALVANIZED PER ASTM A123.

DRAWN BY: MM CHECKED BY: KW/HA

REV.	DESCRIPTION	BY	DATE
1	FIRST ISSUE	MM	07/18/23

SHEET TITLE:

FABRICATION DETAILS

SHEET NUMBER: REV #:

PLK7-F4 0