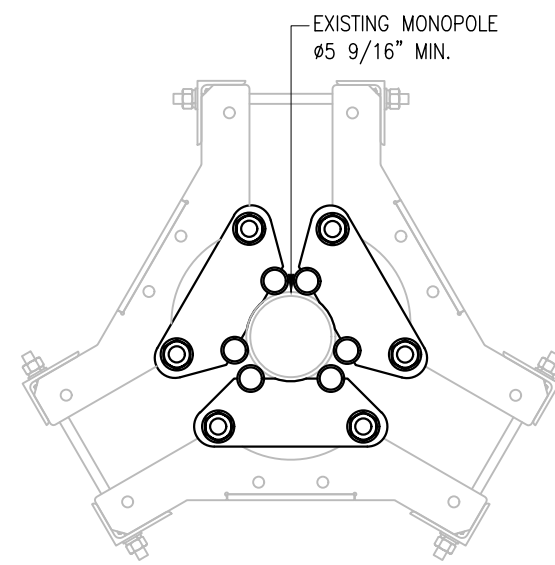
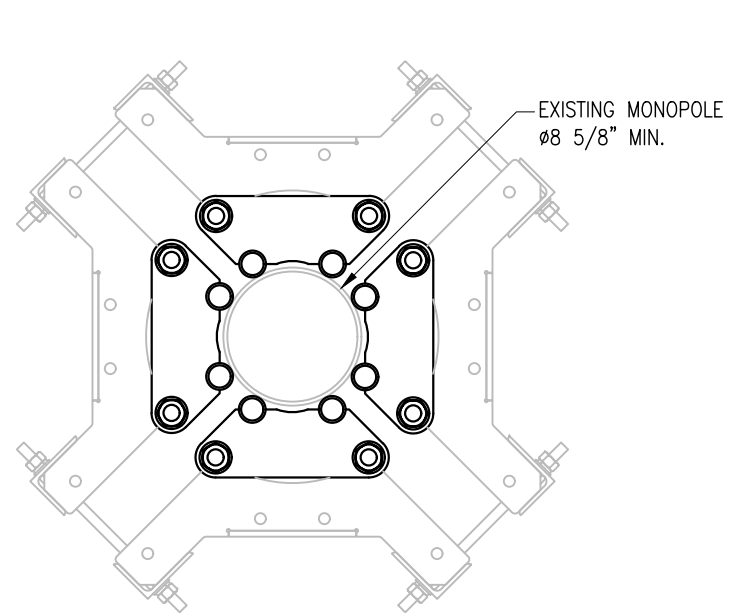


INSTALLATION INFO

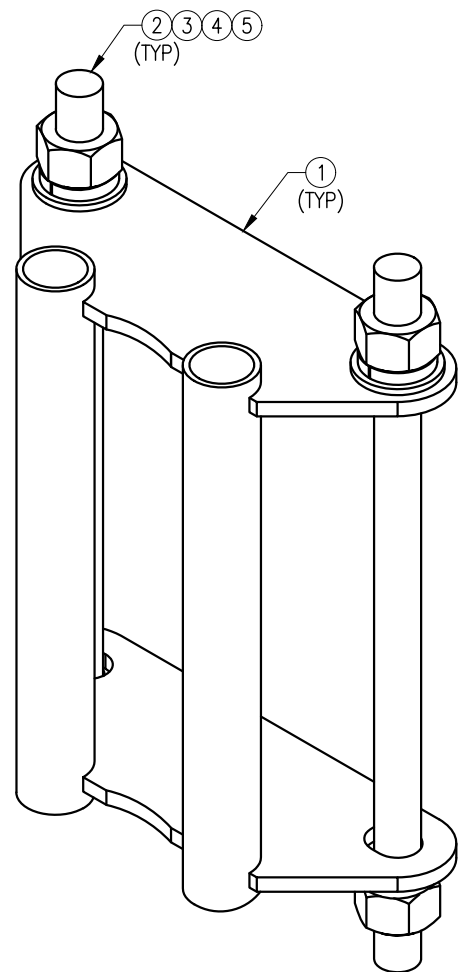
THREADED RODS INSTALL THRU BEARING PIPES ON TES-SS-PLK7 OR TES-SS-PLK7Q
 INSTALL COLLAR WITH VERTICAL THREADED RODS LOOSE. FULLY TIGHTEN VERTICAL THREADED RODS AFTER TIGHTENING THE 5/8\"/>



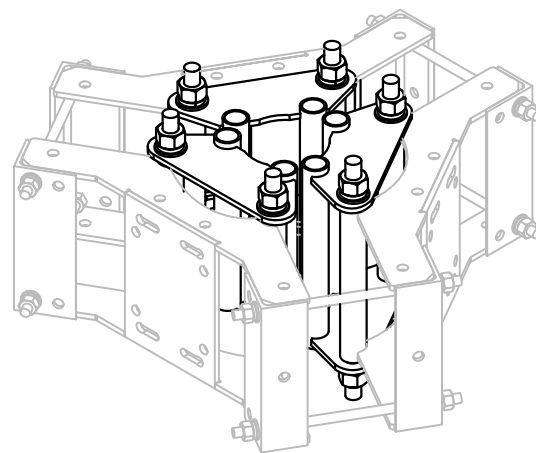
3-SIDED COLLAR MOUNT (TES-SS-PLK7) OPTION
 PLAN VIEW



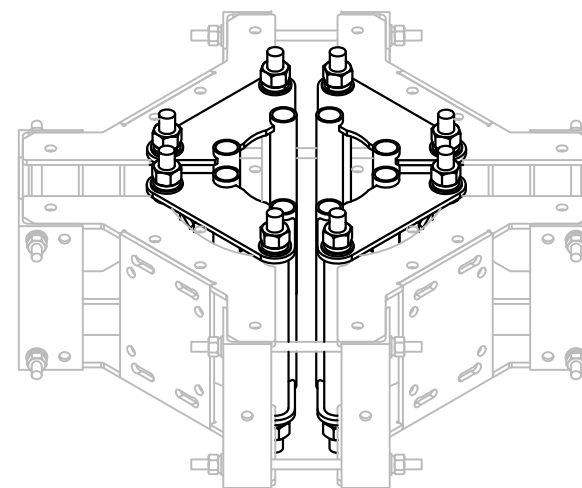
4-SIDED COLLAR MOUNT (TES-SS-PLK7Q) OPTION
 PLAN VIEW



SMALL POLE ADAPTER
 ISOMETRIC VIEW



3-SIDED COLLAR MOUNT (TES-SS-PLK7) OPTION
 ISOMETRIC VIEW



4-SIDED COLLAR MOUNT (TES-SS-PLK7Q) OPTION
 ISOMETRIC VIEW

- NOTES:
 1. HOT-DIPPED GALVANIZED PER ASTM A123.
 2. FIT WITH TES-SS-PLK7 (3-SIDED) & TES-SS-PLK7Q (4-SIDED) MONOPOLE COLLAR MOUNT ASSEMBLIES ONLY.
 3. FIT FOR MINIMUM 5 9/16\"/>

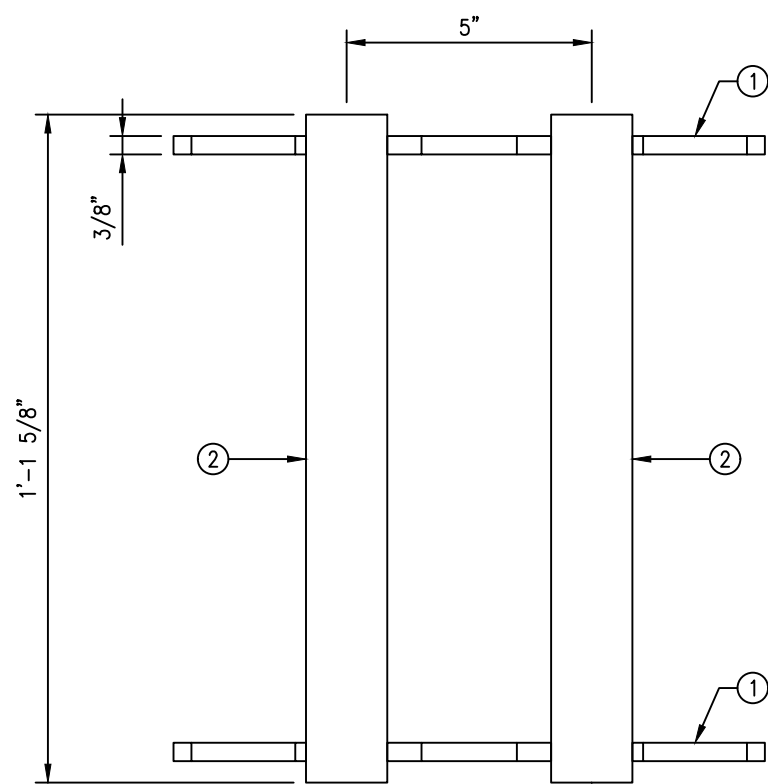
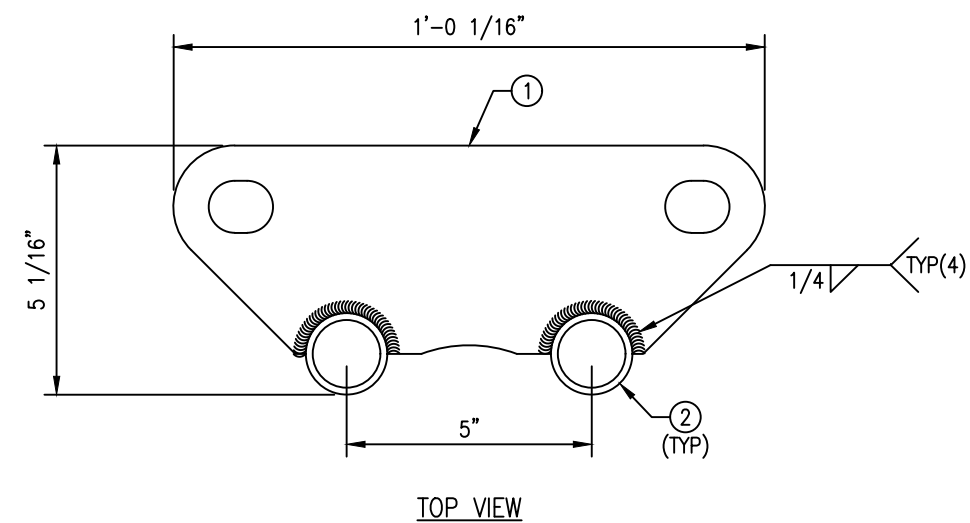
TES-SS-PLK7S (SMALL POLE ADAPTER FOR COLLAR MOUNT)					
ITEM NO.	QTY.	PART NO.	DESCRIPTION	SHEET #	WT
1	1	W097-274-01	MD COLLAR - SMALL POLE ADAPTER WELDMENT	PLK7S-F1	13.64
2	2	---	THREADED ROD 1" X 1'-6" Fy = 36KSI HDG	---	---
3	4	---	1" HDG HEX NUT	---	---
4	4	---	1" HDG SPRING LOCK WASHER	---	---
5	4	---	1" HDG HARDENED WASHER F436	---	---
GALVANIZED WT					24.44

DRAWN BY: MN CHECKED BY: KW/SK

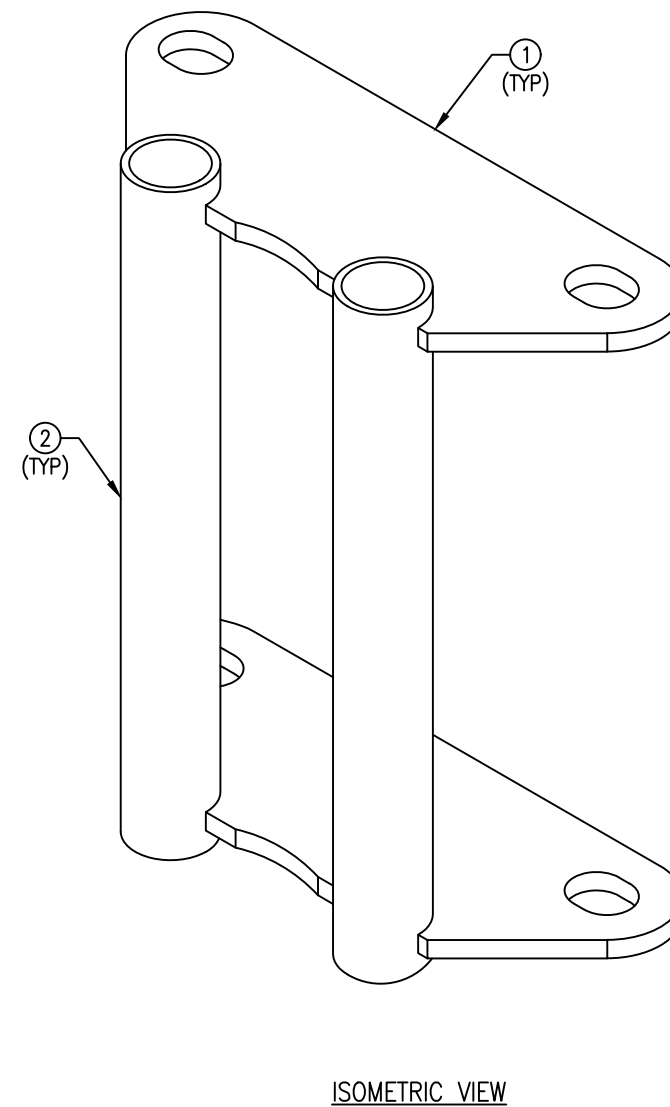
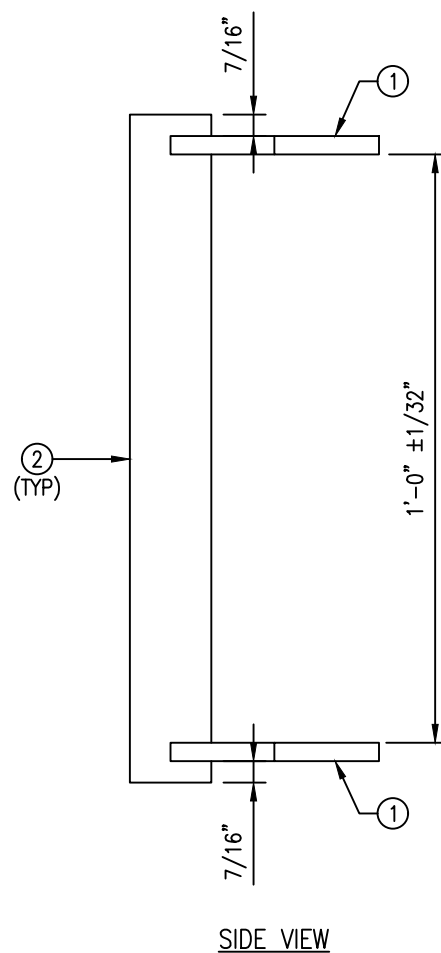
REV.	DESCRIPTION	BY	DATE
1	FIRST ISSUE	MN	07/18/23

SHEET TITLE:
 TES-SS-PLK7S
 SMALL POLE ADAPTER FOR
 COLLAR MOUNT

SHEET NUMBER: TES-SS-PLK7S
 REV #: 0



MD COLLAR - SMALL POLE ADAPTER WELDMENT
(W097-274-01)



NOTES:
1. HOT-DIPPED GALVANIZED PER ASTM A123.

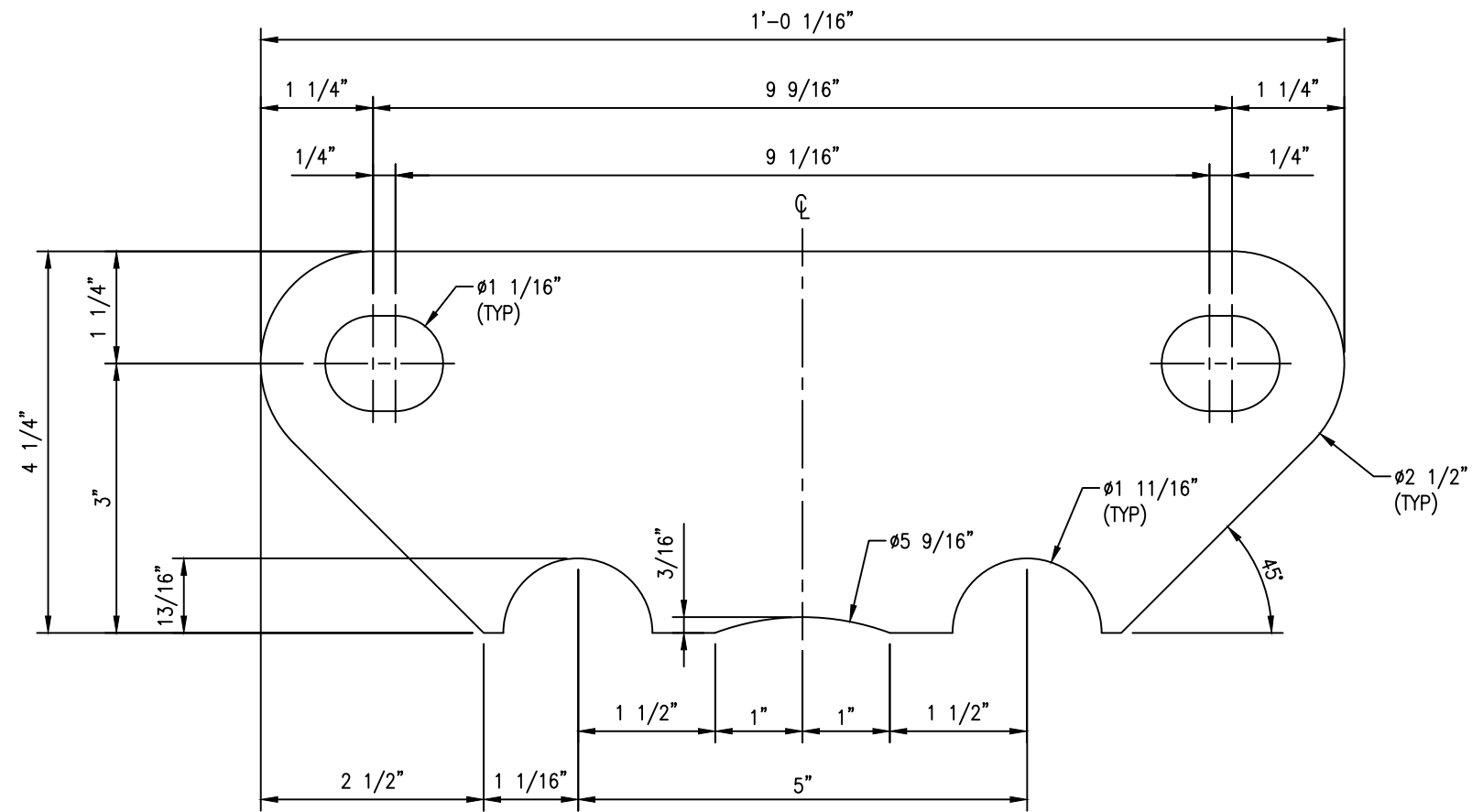
W097-274-01 (SMALL POLE ADAPTER WELDMENT DETAILS)					
ITEM NO.	QTY.	PART NO.	DESCRIPTION	SHEET #	WT
1	2	P597-545-01	PL 3/8" X 1'-0 1/16" X 4 1/4" A36	PLK7S-F2	8.46
2	2	P697-069-03	PIPE 1 1/4" SCH40 (1.66" O.D. X 0.14" THK) A500 GR. B	PLK7S-F2	5.18
GALVANIZED WT					13.64

DRAWN BY: MN		CHECKED BY: KW/SK	
REV.	DESCRIPTION	BY	DATE
△	FIRST ISSUE	MN	07/18/23
△			
△			
△			

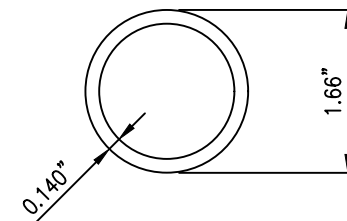
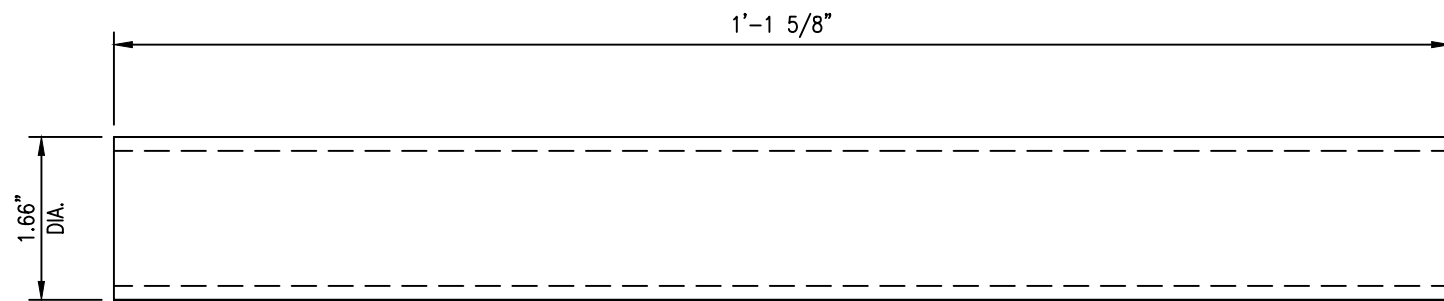
SHEET TITLE:

FABRICATION DETAILS

SHEET NUMBER:	REV #:
PLK7S-F1	0



P597-545-01
 PL 3/8" X 1'-0 1/16" X 4 1/4" A36
 (4.23 LBS)



P697-069-03
 PIPE 1 1/4" SCH40 (1.66" O.D. X 0.14" THK) A500 GR. B
 (2.59 LBS)

NOTES:
 1. HOT-DIPPED GALVANIZED PER ASTM A123.

DRAWN BY: MN CHECKED BY: KW/SK

REV.	DESCRIPTION	BY	DATE
1	FIRST ISSUE	MN	07/18/23

SHEET TITLE:

FABRICATION DETAILS

SHEET NUMBER: REV #:

PLK7S-F2 0