

4-SIDED COLLAR MOUNT ASSEMBLY
ISOMETRIC VIEW

NOTES:
1. HOT-DIPPED GALVANIZED PER ASTM A123.

TES-SS-PLK7Q (4-SIDED COLLAR MOUNT ASSEMBLY)					
ITEM NO.	QTY.	PART NO.	DESCRIPTION	SHEET #	WT
1	4	CM-1460	COLLAR MOUNT ASSEMBLY	PLK7Q-F1	41.20
2	8	---	THREADED ROD 5/8" X 4'-0" A193-B7	MSK12-F2	4.84
3	17	FW-625	5/8" HDG USS FLAT WASHER	---	0
4	17	LW-625	5/8" HDG LOCK WASHER	---	0
5	17	---	5/8" HDG HEX NUT	---	0
6	1	TES-SS-MSK16	STUD MOUNTED WIRE ROPE GUIDE WITH CLIP ANGLE	---	2
7	1	---	BOLT 5/8" X 1 3/4" FULL THREAD SAE GR-5	---	--
GALVANIZED WT					192.28

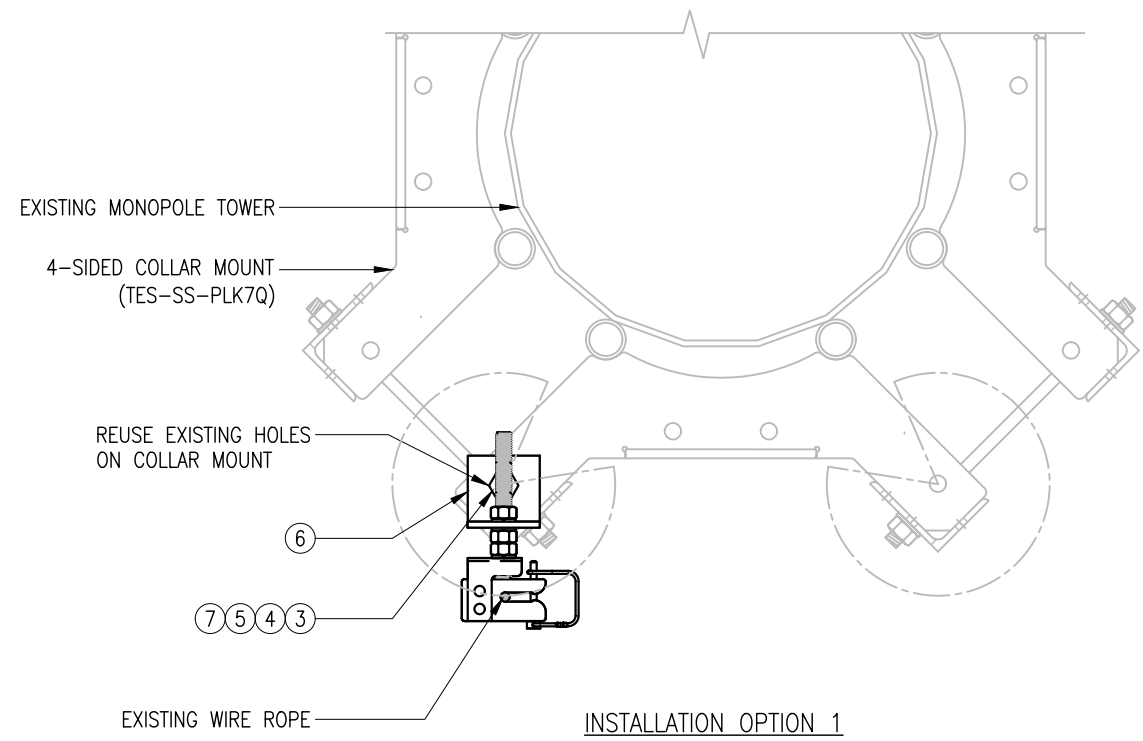
DRAWN BY: MM CHECKED BY: KW/SK

REV.	DESCRIPTION	BY	DATE
1	FIRST ISSUE	MM	07/18/23

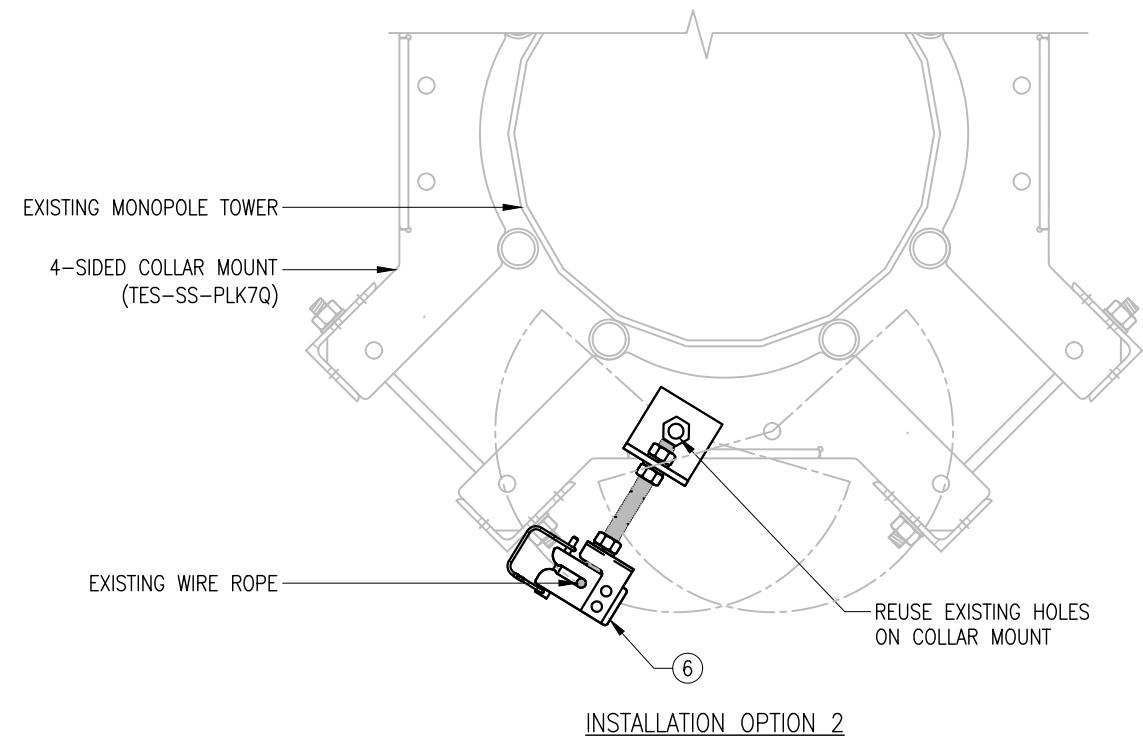
1	_____
2	_____
3	_____
4	_____

SHEET TITLE:
TES-SS-PLK7Q
4-SIDED COLLAR
MOUNT ASSEMBLY

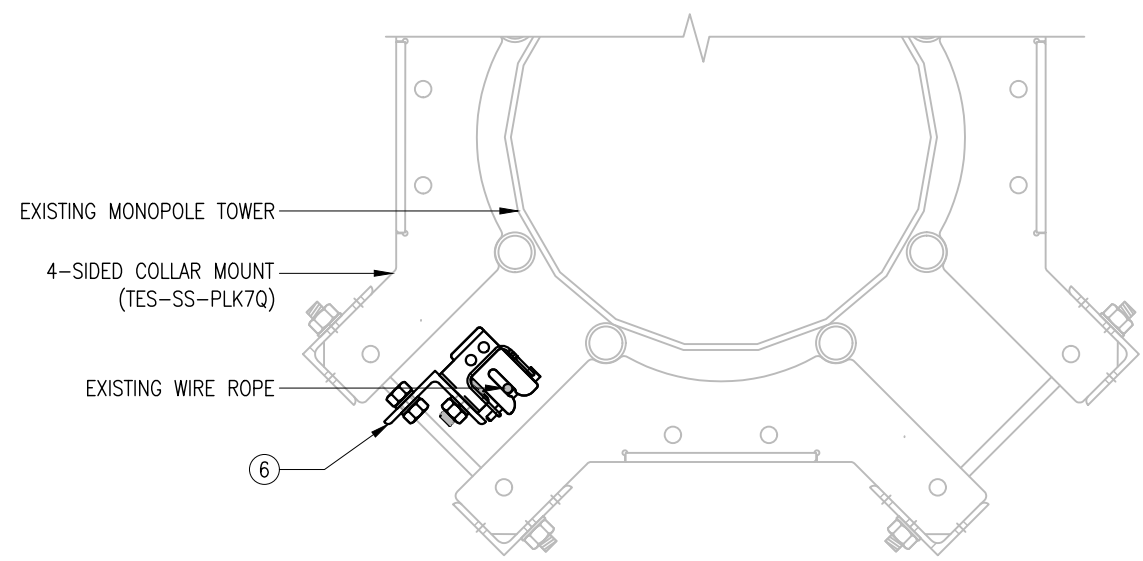
SHEET NUMBER: TES-SS-PLK7Q	REV #: 0
-------------------------------	-------------



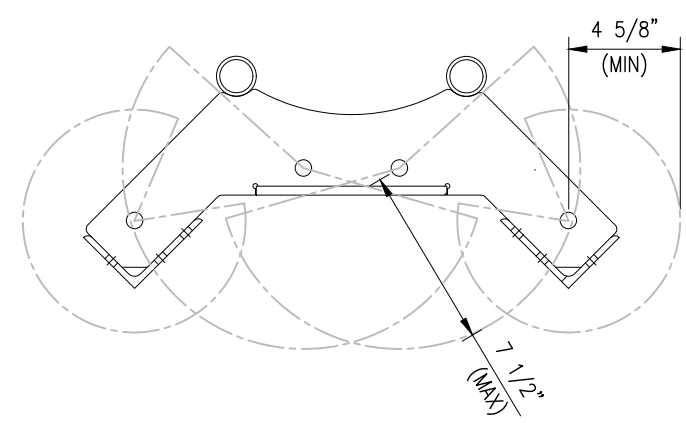
INSTALLATION OPTION 1



INSTALLATION OPTION 2



INSTALLATION OPTION 3



CABLE GUIDE RANGE

NOTES:
1. HOT-DIPPED GALVANIZED PER ASTM A123.

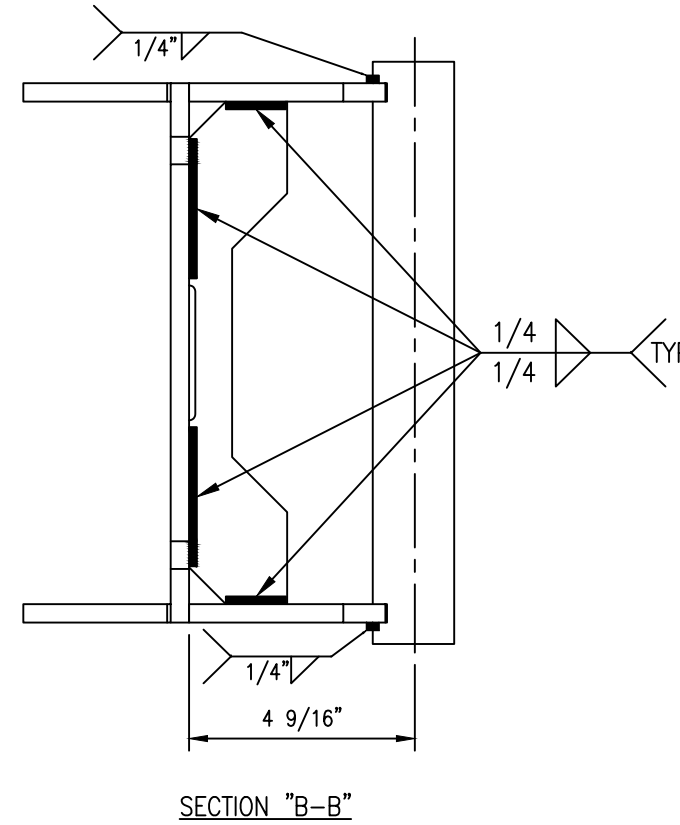
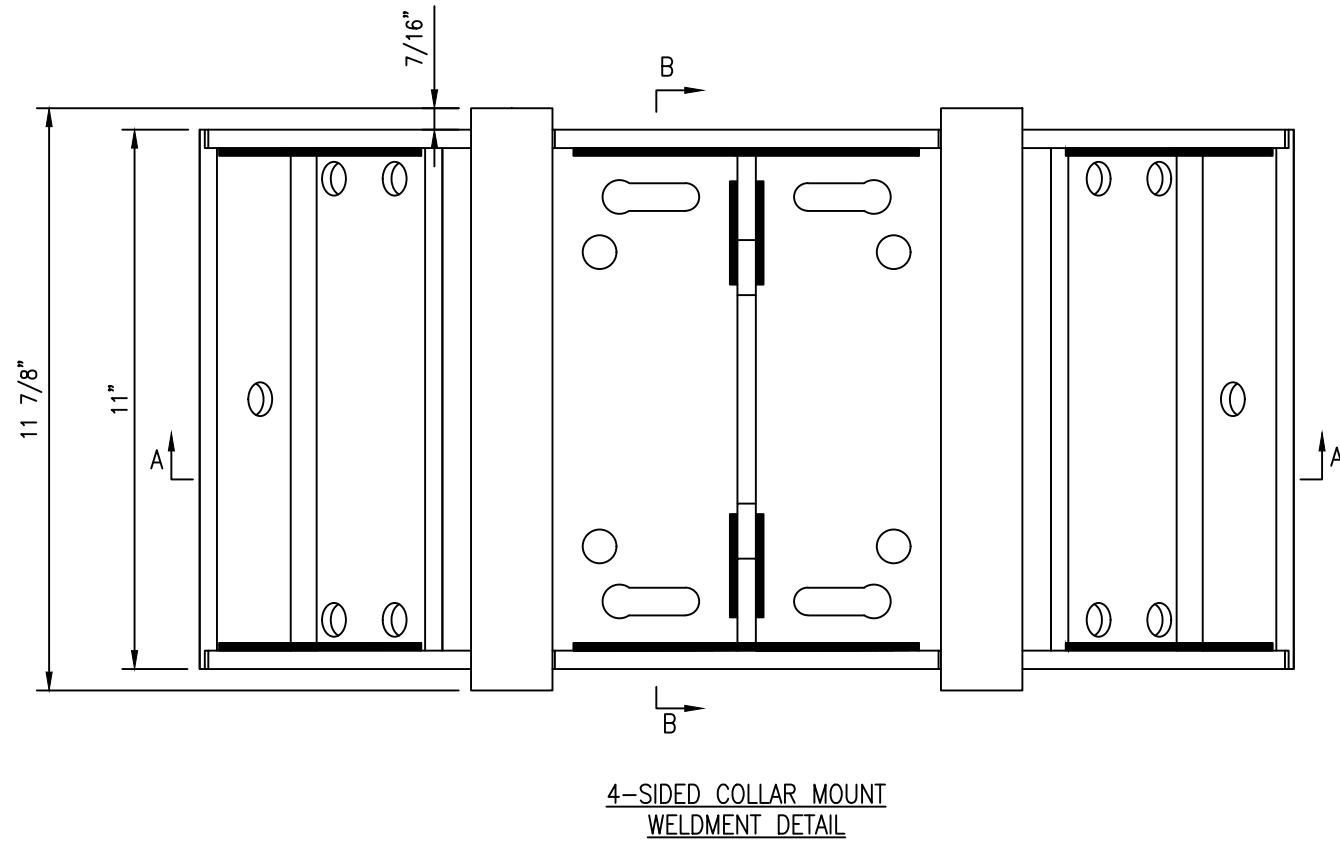
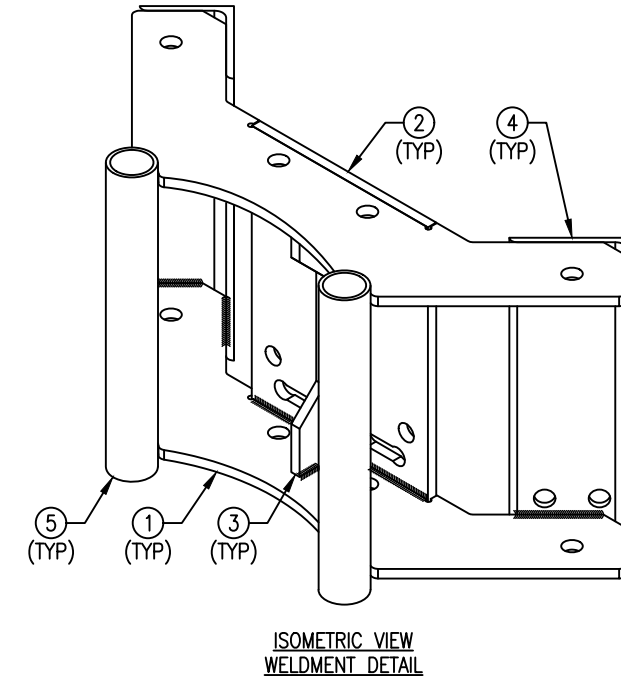
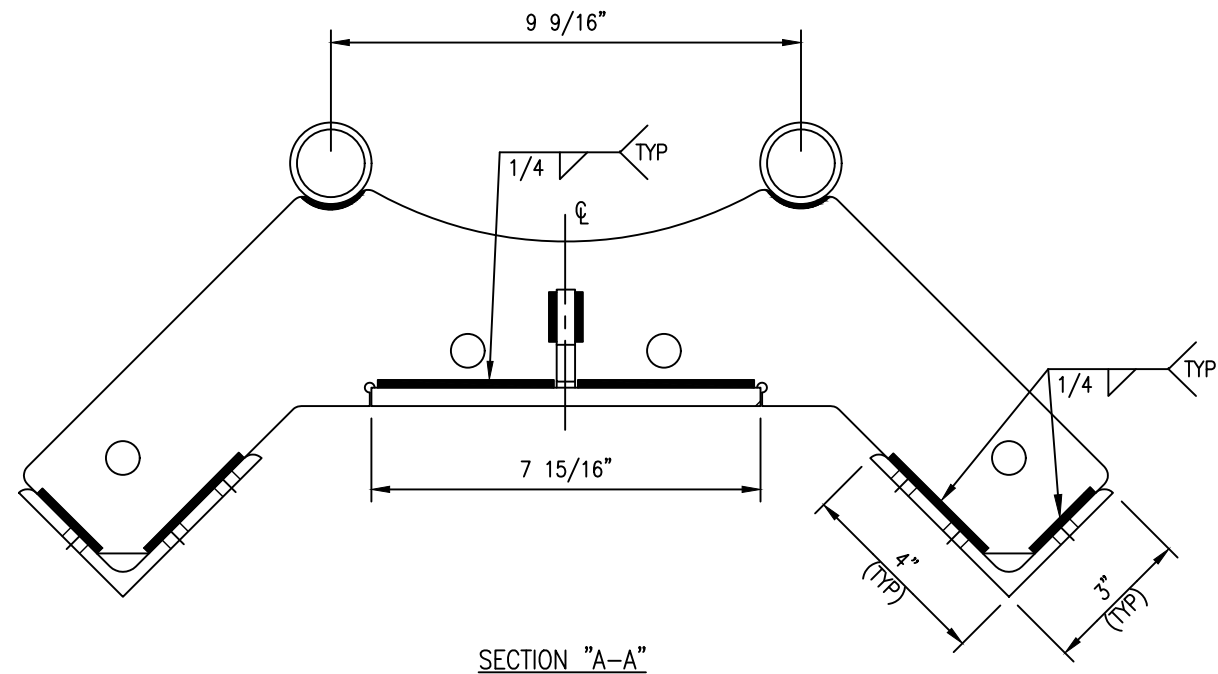
DRAWN BY: MM CHECKED BY: KW/SK

REV.	DESCRIPTION	BY	DATE
1	FIRST ISSUE	MM	07/18/23

SHEET TITLE:

TES-SS-MSK16
INSTALLATION OPTIONS

SHEET NUMBER: PLK7QA	REV #: 0
-------------------------	-------------



- NOTES:
 1. HOT-DIPPED GALVANIZED PER ASTM A123.
 2. ALL HOLES ARE 11/16" DIA. U.N.O

PLK7Q-F1 (4-SIDED COLLAR MOUNT WELDMENT DETAILS)					
ITEM NO.	QTY.	PART NO.	DESCRIPTION	SHEET #	WT
1	2	PL-CMQ	PL 3/8" X 7 13/32" X 1'-10 1/8" A36	PLK7Q-F2	8.12
2	1	PL-CP	PL 3/8" X 7 15/16" X 11" A36	PLK7Q-F2	8.69
3	1	PL375-21025	PL 3/8" X 2" X 10 1/2" A36	PLK7Q-F2	1.45
4	2	L4325-11	L 4" X 3" X 1/4" X 11" A36	PLK7Q-F3	5
5	2	PST166-1178	PIPE 1 1/4" SCH40 (1.66" O.D. X 0.14" THK) A500 GR. B	PLK7Q-F3	2
GALVANIZED WT					41.20

DRAWN BY: MM CHECKED BY: KW/SK

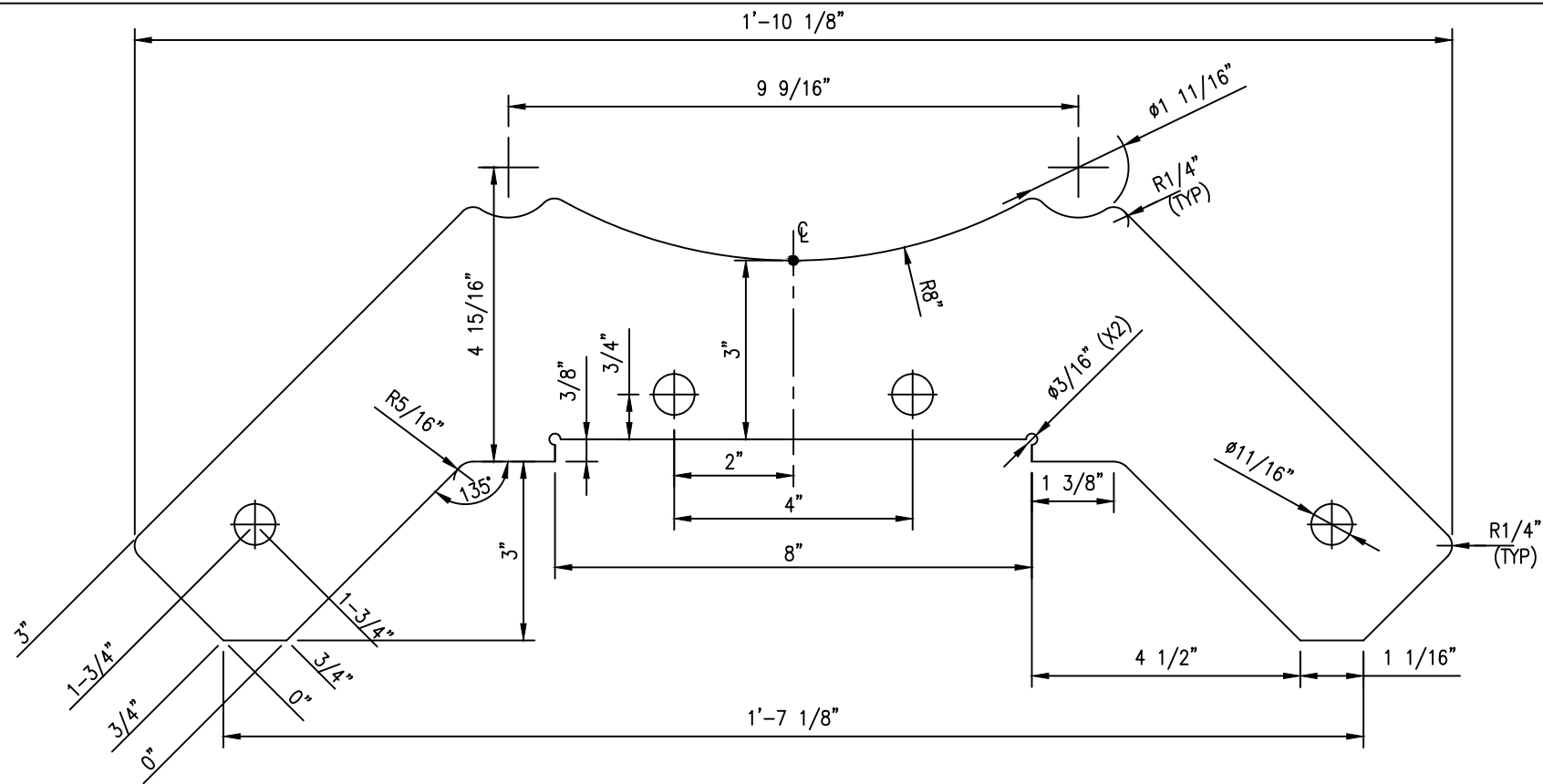
REV.	DESCRIPTION	BY	DATE
1	FIRST ISSUE	MM	07/18/23

SHEET TITLE:

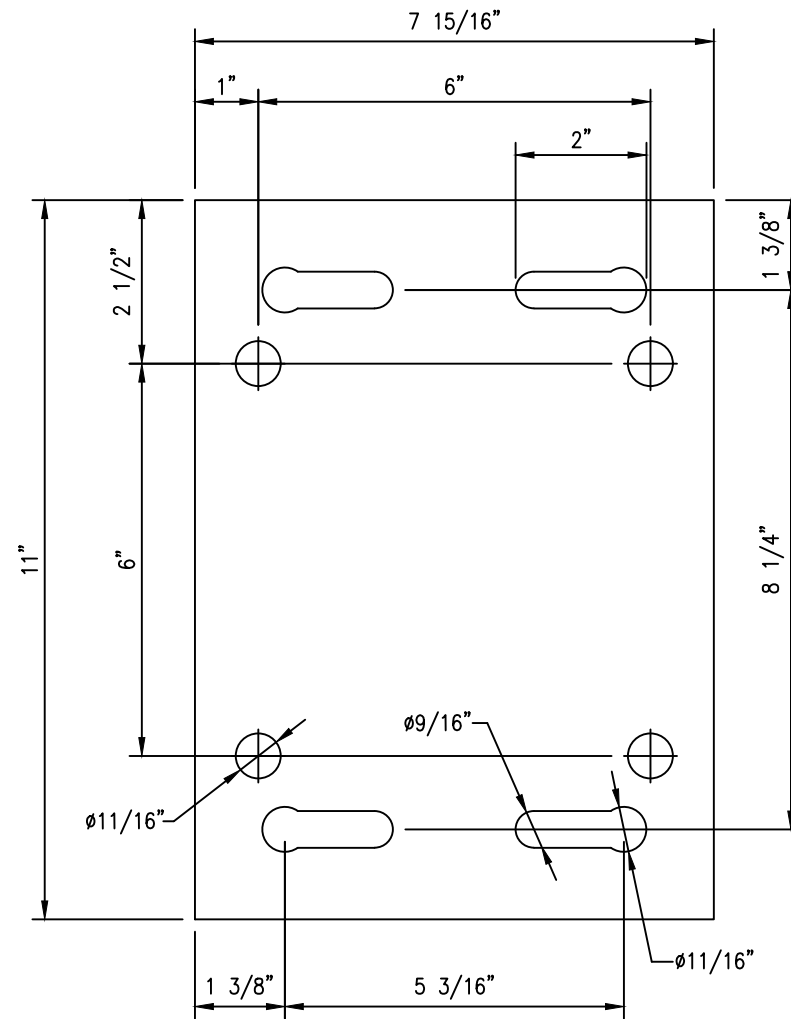
FABRICATION DETAILS

SHEET NUMBER: REV #:

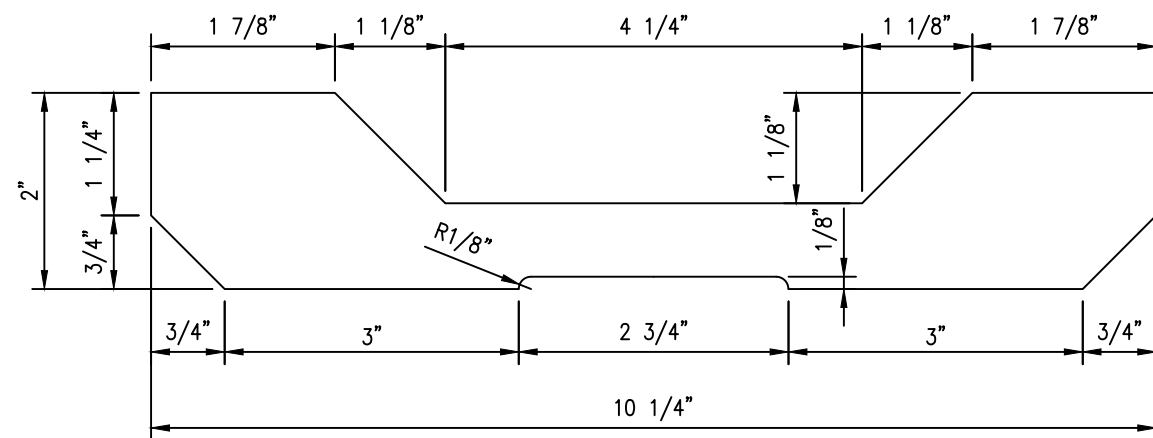
PLK7Q-F1 0



PL-CMQ
 PL 3/8" X 7 13/32" X 1'-10 1/8" A36
 (8.12 LBS)



PL-CP
 PL 3/8" X 7 5/16" X 11" A36
 (9.4 LBS)



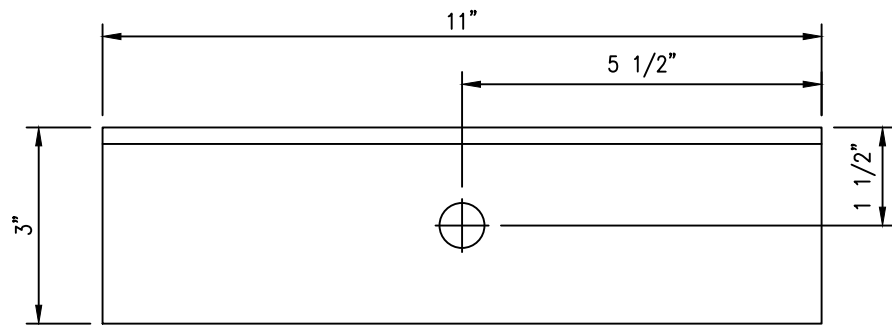
PL375-2105
 PL 3/8" X 2" X 10 1/4" A36
 (2.2 LBS)

NOTES:
 1. HOT-DIPPED GALVANIZED PER ASTM A123.

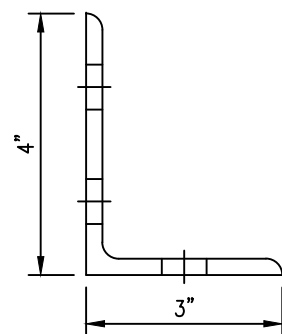
DRAWN BY: MM		CHECKED BY: KW/SK	
REV.	DESCRIPTION	BY	DATE
△	FIRST ISSUE	MM	07/18/23
△			
△			
△			

SHEET TITLE:
 FABRICATION DETAILS

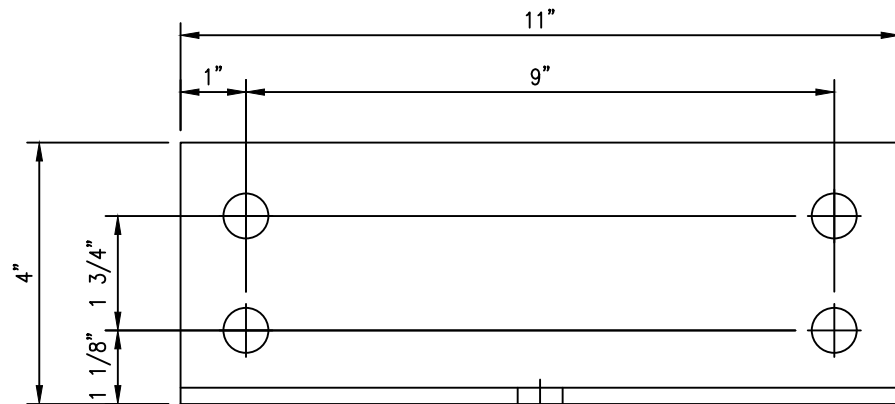
SHEET NUMBER:	REV #:
PLK7Q-F2	0



TOP VIEW

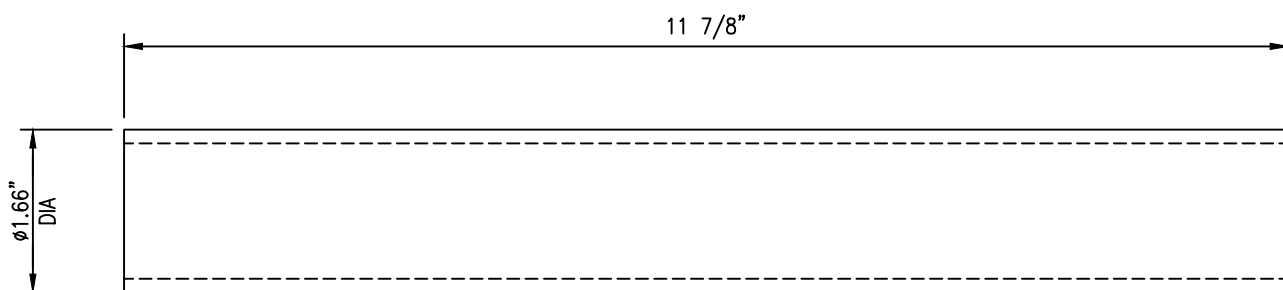


SIDE VIEW

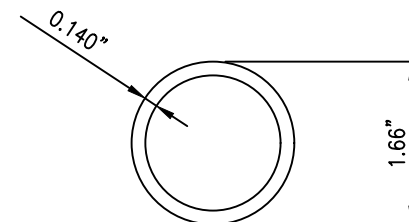


FRONT VIEW

L4325-11
 L 4" X 3" X 1/4" A36
 (5.42 LBS)



PST166-1178
 PIPE 1 1/4" SCH40 (1.66" O.D. X 0.14" THK) A500 GR. B
 (2.13 LBS)



- NOTES:
 1. HOT-DIPPED GALVANIZED PER ASTM A123.
 2. ALL HOLES ARE 11/16" DIA. U.N.O

DRAWN BY: MM CHECKED BY: KW/SK

REV.	DESCRIPTION	BY	DATE
1	FIRST ISSUE	MM	07/18/23

SHEET TITLE:

FABRICATION DETAILS

SHEET NUMBER: PLK7Q-F3 REV #: 0