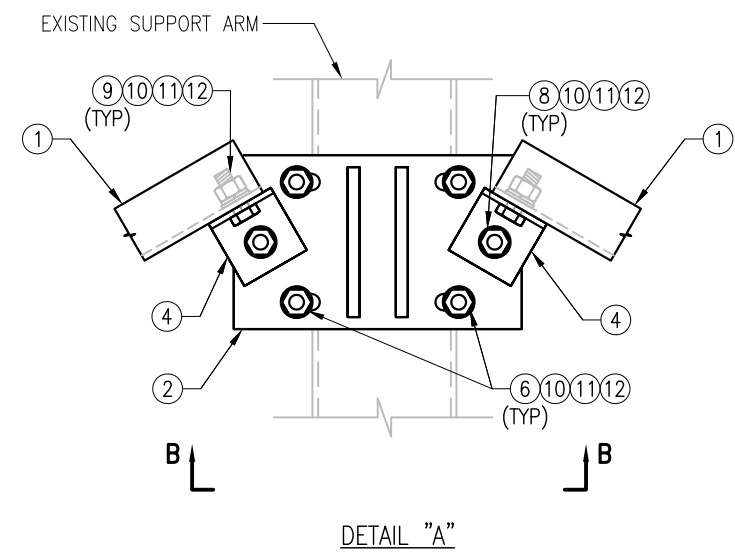


PLAN VIEW

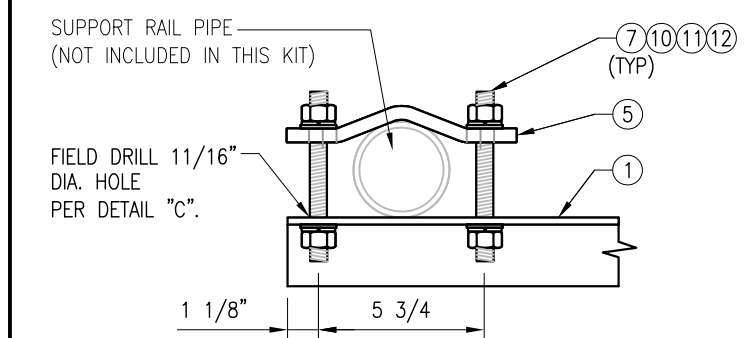


DETAIL "A"

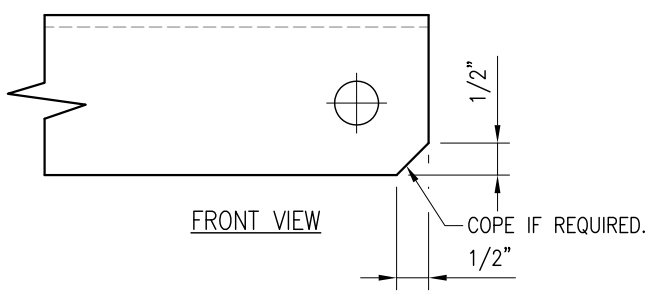
ANTENNA MOUNT PIPE  
(NOT INCLUDED IN THIS KIT)

CROSSOVER PLATE  
(NOT INCLUDED IN THIS KIT)

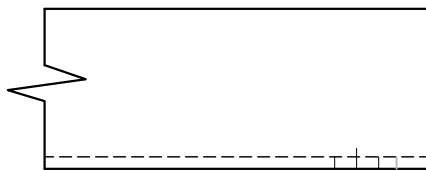
SUPPORT RAIL PIPE  
(NOT INCLUDED IN THIS KIT)



SECTION "A-A"

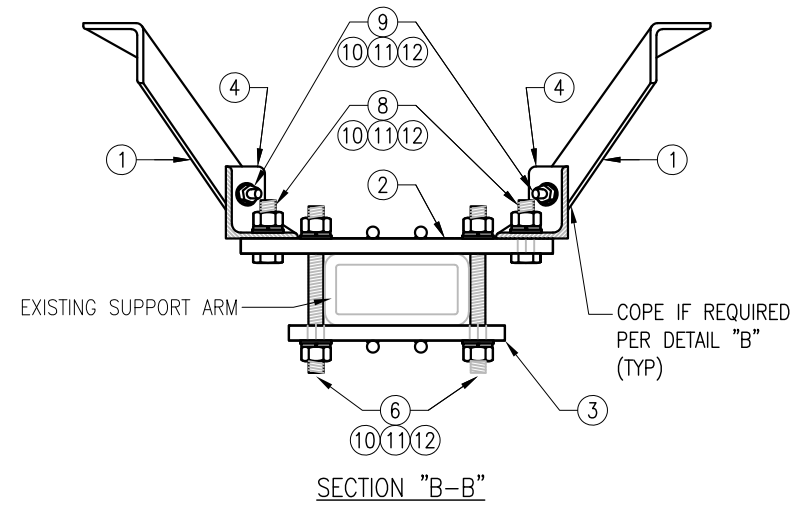


FRONT VIEW

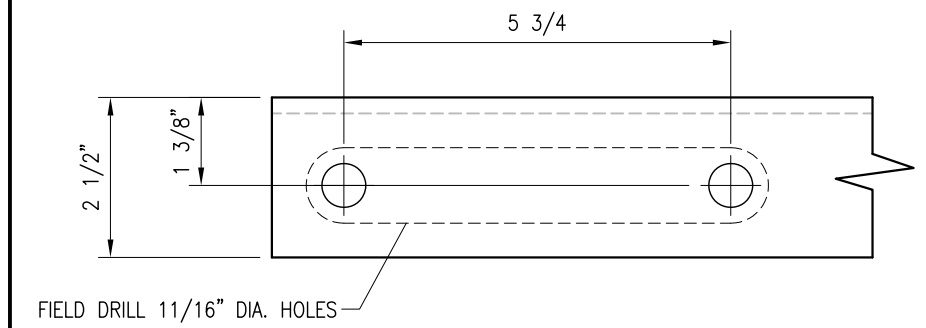


TOP VIEW

DETAIL "B"



SECTION "B-B"

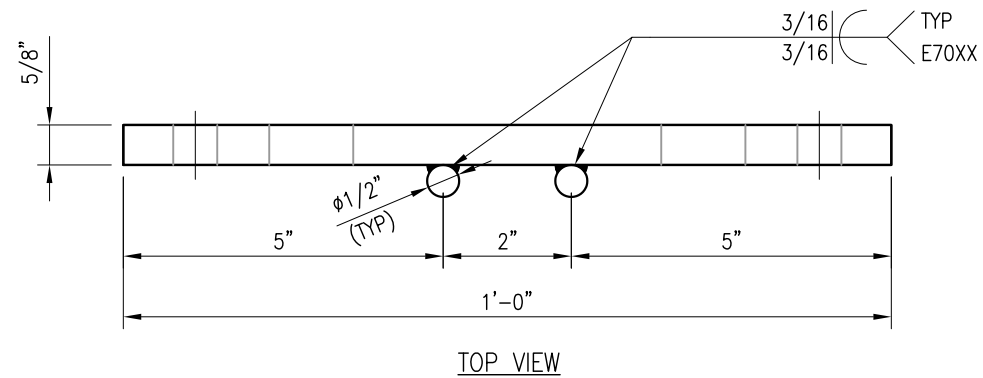
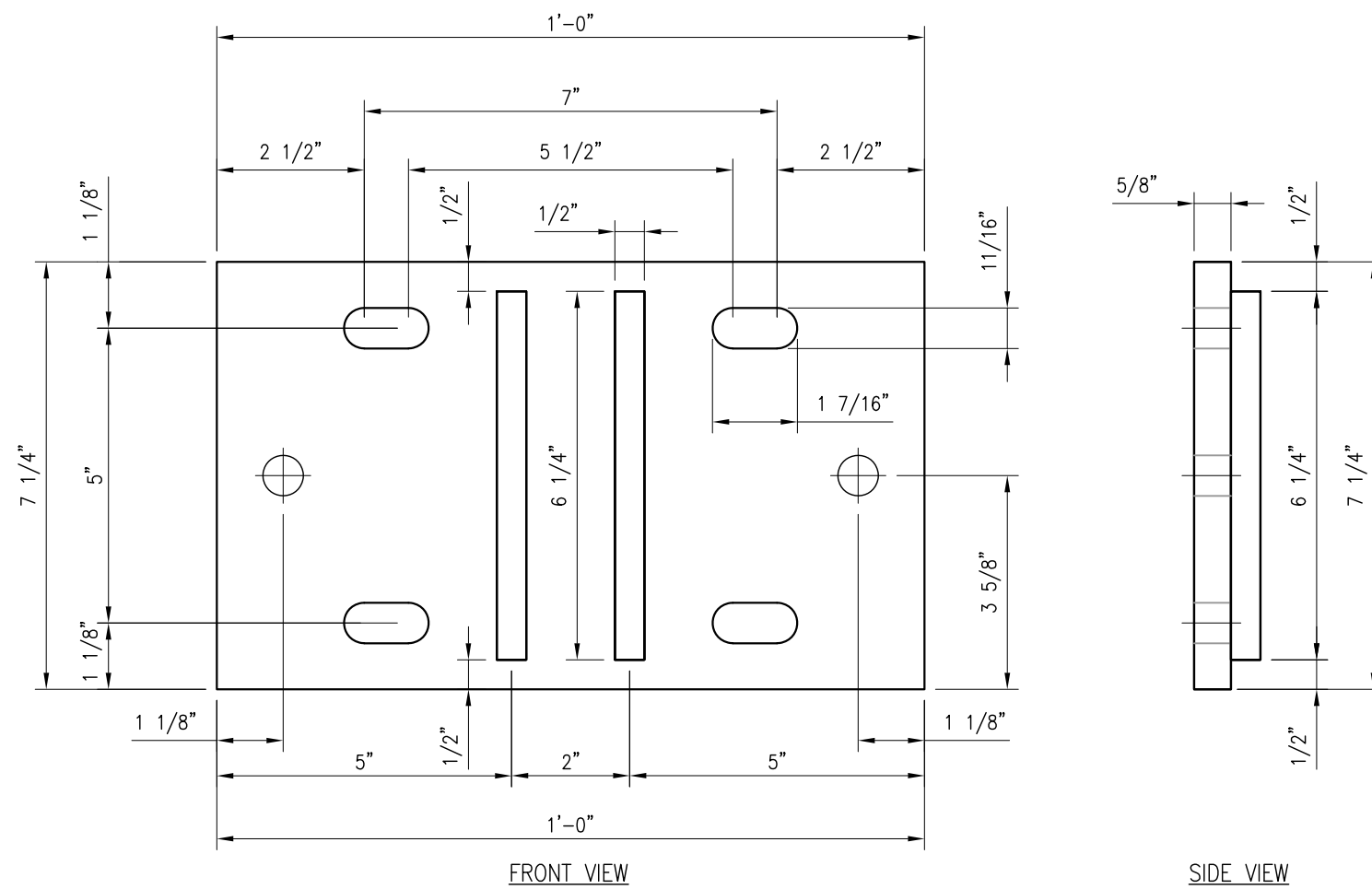


DETAIL "C"

NOTES:  
1. HOT-DIPPED GALVANIZED PER ASTM A123.

TES-SS-PLK8 (SUPPORT BRACING KIT)					
ITEM NO.	QTY.	PART NO.	DESCRIPTION	SHEET #	WT
1	2	L252525-8	L 2 1/2" X 2 1/2" X 1/4" X 8'-0" A36	PLK8-F3	67
2	1	PL625-72512	PL 5/8" X 0-7 1/4" X 1'-0" A36	PLK8-F1	16.25
3	1	PL-KI	PL 5/8" X 0-7 1/4" X 0'-9" A36	PLK5-F1	13.02
4	2	AL-333	L 3" X 3" X 1/4" X 3" A36	PLK8-F3	2.5
5	2	VCP	PL 1/2" X 2" X 8 5/8" A36 BENT PLATE	PLK8-F4	4.8
6	4	---	THREADED ROD 5/8" DIA. X 1'-6" Fy=36 KSI HDG	---	---
7	4	---	THREADED ROD 5/8" DIA. X 10" Fy=36 KSI HDG	---	---
8	2	---	BOLT 5/8" X 2 1/4" A325	---	---
9	2	---	BOLT 5/8" X 1 3/4" A325	---	---
10	20	FW-625	5/8" HDG USS FLAT WASHER	---	2
11	20	LW-625	5/8" HDG LOCK WASHER	---	0
12	20	NUT-625	5/8" HDG HEX NUT	---	2
GALVANIZED WT					108

DRAWN BY: SP	CHECKED BY: KW/SK
REV. 1	DESCRIPTION: FIRST ISSUE
BY: SP	DATE: 07/18/23
SHEET TITLE:  TES-SS-PLK8 SUPPORT BRACING KIT	
SHEET NUMBER: TES-SS-PLK8	REV #: 0



PL625-72512  
 PL 5/8" X 0-7 1/4" X 1'-0" A36  
 (16.25 LBS)

- NOTES:  
 1. ALL HOLES ARE 11/16" DIA. U.N.O  
 2. HOT-DIPPED GALVANIZED PER ASTM A123.

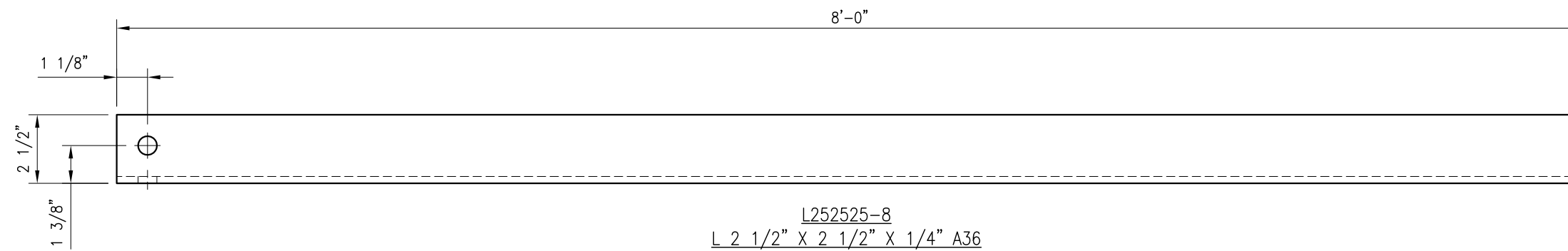
DRAWN BY: SP CHECKED BY: KW/SK

REV.	DESCRIPTION	BY	DATE
△ 1	FIRST ISSUE	SP	07/18/23
△			
△			
△			

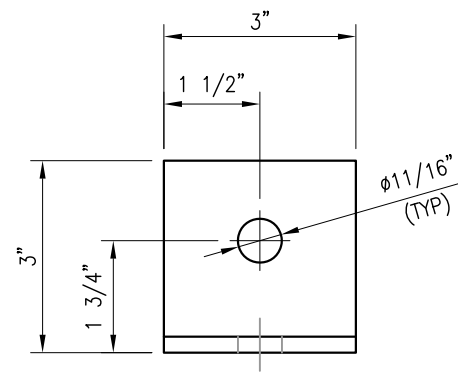
SHEET TITLE:

FABRICATION DETAILS

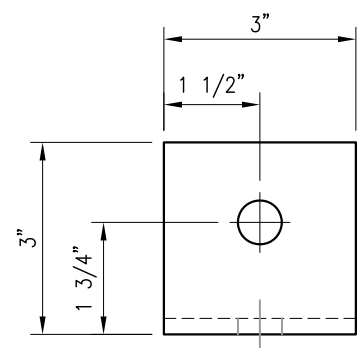
SHEET NUMBER: PLK8-F1 REV #: 0



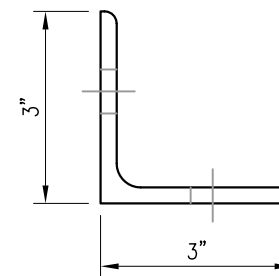
L252525-8  
 L 2 1/2" X 2 1/2" X 1/4" A36  
 (33.5 LBS)



PLAN VIEW



FRONT VIEW



SIDE VIEW

AL-333  
 L 3" X 3" X 1/4" X 3" A36  
 (1.25 LBS)

NOTES:

1. ALL HOLES ARE 11/16" DIA. U.N.O
2. HOT-DIPPED GALVANIZED PER ASTM A123.

DRAWN BY: SP CHECKED BY: KW/SK

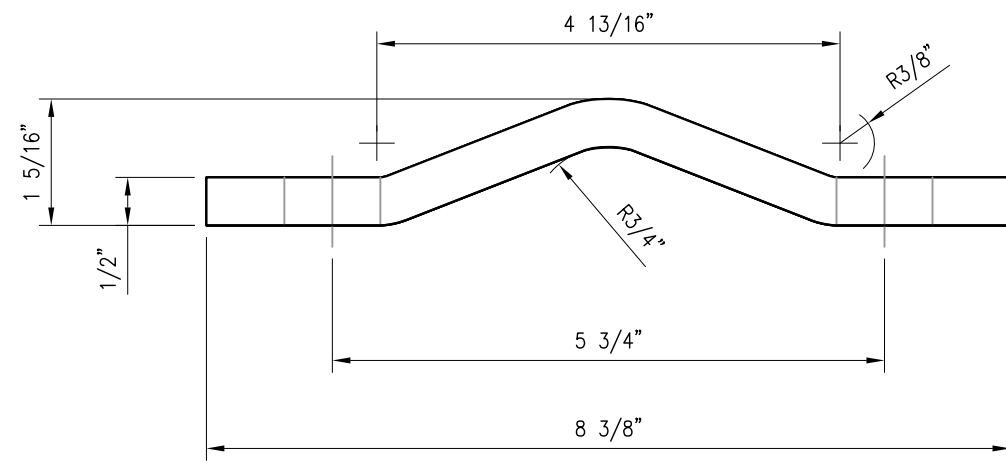
REV.	DESCRIPTION	BY	DATE
△	FIRST ISSUE	SP	07/18/23
△			
△			
△			

SHEET TITLE:

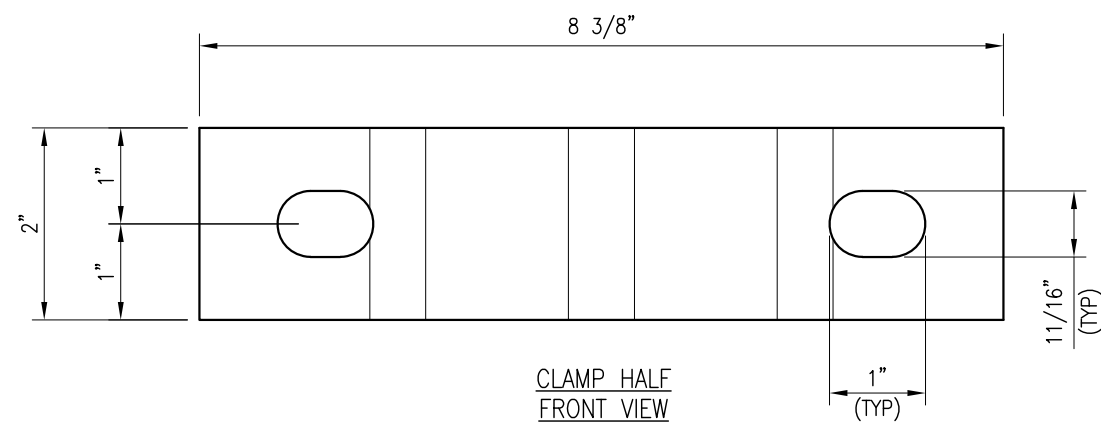
FABRICATION DETAILS

SHEET NUMBER: REV #:

PLK8-F3 0

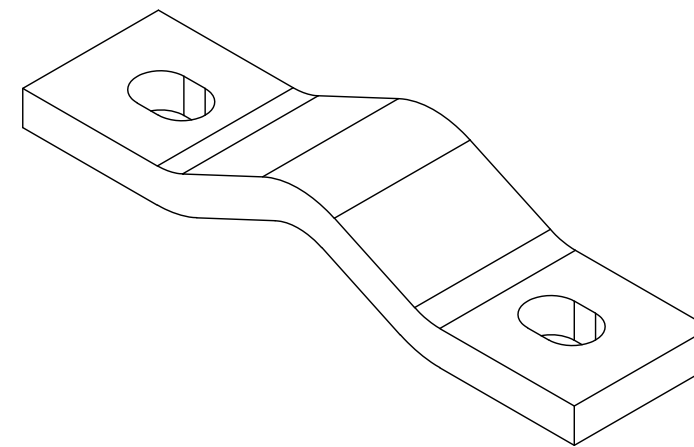


CLAMP HALF  
TOP VIEW



CLAMP HALF  
FRONT VIEW

VCP  
PL 1/2" X 2" X 8 5/8" A36 BENT PLATE  
(2.4 LBS)



CLAMP HALF  
ISOMETRIC VIEW

- NOTES:  
1. HOT-DIPPED GALVANIZED PER ASTM A123.  
2. FIT UP TO 4 1/2" O.D. PIPE

DRAWN BY: SP CHECKED BY: KW/SK

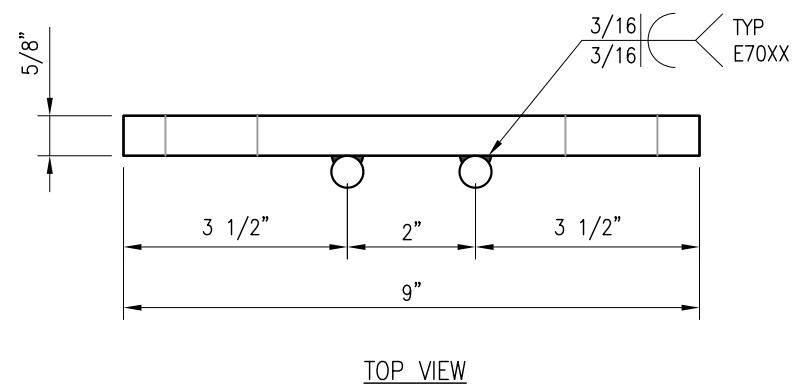
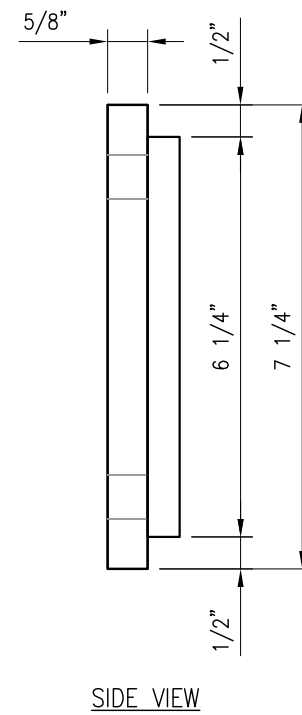
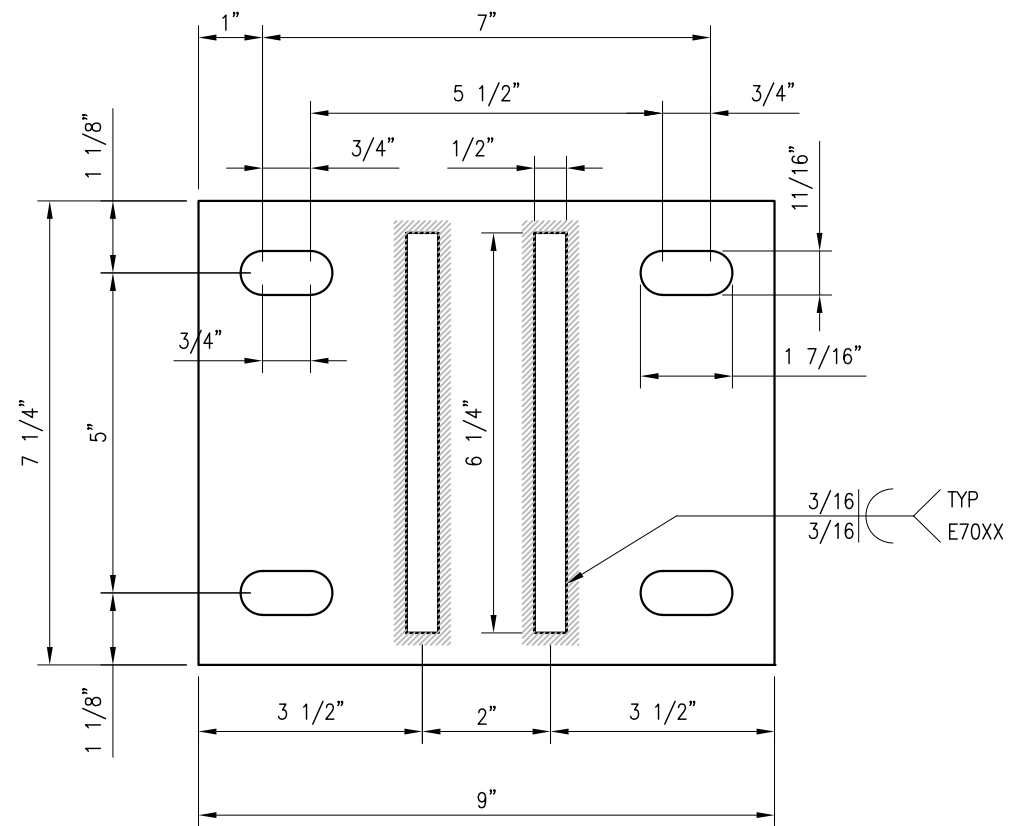
REV.	DESCRIPTION	BY	DATE
1	FIRST ISSUE	SP	07/18/23

SHEET TITLE:

FABRICATION DETAILS

SHEET NUMBER: REV #:

PLK8-F4 0



PL-KI  
BACKING PLATE

DRAWN BY: SP CHECKED BY: KW/SK

REV.	DESCRIPTION	BY	DATE
1	FIRST ISSUE	SP	07/18/23

SHEET TITLE:

FABRICATION DETAILS

SHEET NUMBER:

PLK5-F1

REV #:

0