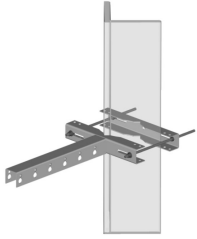


# B2252PGL

---



Star Support Tee Bracket for up to 10-1/2 in OD round members and up to 7 in 90 degree and up to 10-1/2 in 60 degree angle members

## Product Classification

**Product Type** Star Support Bracket

## General Specifications

**Cable Runs, quantity** 16  
**Hole, quantity** 16  
**Mounting** Round and angle legs

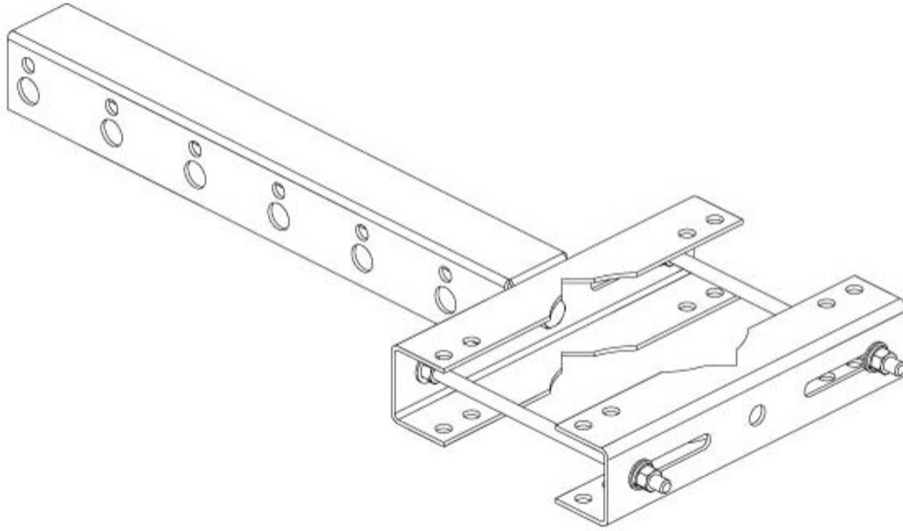
## Dimensions

**Height** 101.6 mm | 4 in  
**Width** 304.8 mm | 12 in  
**Length** 254 mm | 10 in  
**Mounting Diameter, maximum** 266.7 mm | 10.5 in  
**Hole Size** 3/4 in | 7/16 in

# B2252PGL

---

## Outline Drawing



## Material Specifications

**Material Type** Hot dip galvanized steel

## Packaging and Weights

**Included** Brackets

**Packaging quantity** 1

**Weight, net** 5.3 kg | 11.684 lb