

# CS8162-000 | BUDI-M-SP-A

---



BUDI™ Fiber Optic Wall mount Enclosure, empty for holding FIST Splice Trays, without lock

- Compact, wall mountable fiber enclosures for indoor and outdoor use
- Specifically designed for fast FTTH deployment and easy customer connection
- Available with splicing (FIST) and/or patching and/or splitter combinations
- Multiple and modular wrap around cable port sealing options

## Product Classification

|                              |                |
|------------------------------|----------------|
| <b>Regional Availability</b> | EMEA           |
| <b>Product Type</b>          | Fiber wall box |
| <b>Product Brand</b>         | BUDI™          |
| <b>Product Series</b>        | BUDI-M         |

## General Specifications

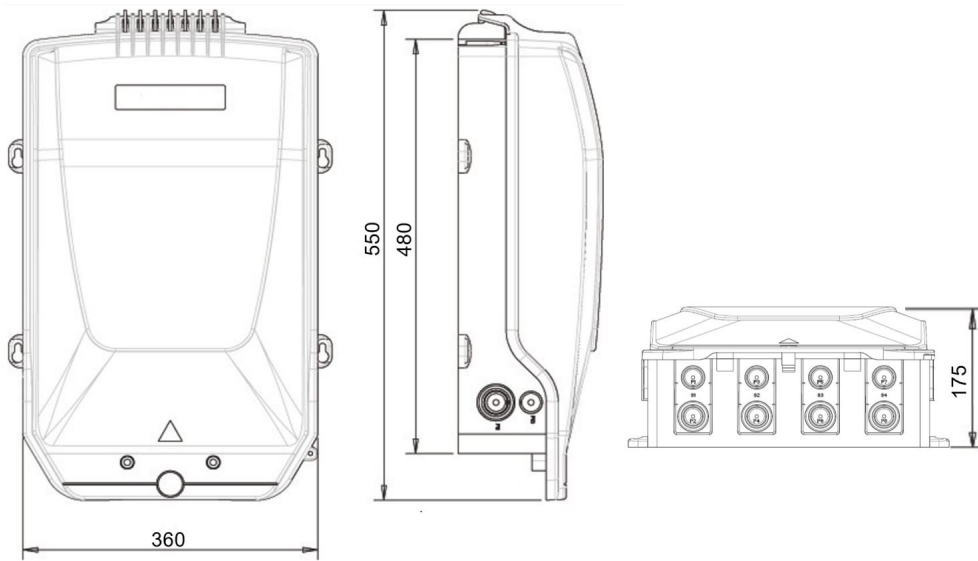
|                                   |               |
|-----------------------------------|---------------|
| <b>Functionality</b>              | Splicing      |
| <b>Access</b>                     | Front         |
| <b>Enclosure Color</b>            | Gray          |
| <b>Front Cover Type</b>           | Snap-on cover |
| <b>Interface</b>                  | Splicing only |
| <b>Mounting</b>                   | Wall          |
| <b>Splicing Capacity, maximum</b> | 216           |

## Dimensions

|                           |                    |
|---------------------------|--------------------|
| <b>Height</b>             | 480 mm   18.898 in |
| <b>Height, with cover</b> | 550 mm   21.654 in |
| <b>Width</b>              | 360 mm   14.173 in |
| <b>Depth</b>              | 175 mm   6.89 in   |

## Dimension Drawing

# CS8162-000 | BUDI-M-SP-A



## Material Specifications

**Enclosure Material Type** LSZH thermoplastic

## Environmental Specifications

**Environmental Space** Indoor/Outdoor

**Qualification Standards** IEC 60529, IP54 | IEC 61753-1, category G

## Packaging and Weights

**Packaging quantity** 1

**Packaging Type** Box | Carton

## Regulatory Compliance/Certifications

| Agency     | Classification                    |
|------------|-----------------------------------|
| CHINA-ROHS | Above maximum concentration value |
| ROHS       | Compliant/Exempted                |
| UK-ROHS    | Compliant/Exempted                |

