

CW7713-000 | BUDI-S-T-B-24L100NN



BUDI™ Fiber Optic Wall mount Enclosure, 24 LC/UPC ports, with FIST Management System

- Compact, wall mountable fiber enclosures for indoor and outdoor use
- Specifically designed for fast FTTH deployment and easy customer connection
- Available with splicing (FIST) and/or patching and/or splitter combinations
- Multiple and modular wrap around cable port sealing options

Product Classification

Regional Availability	EMEA
Product Type	Fiber wall box
Product Brand	BUDI™
Product Series	BUDI-S

General Specifications

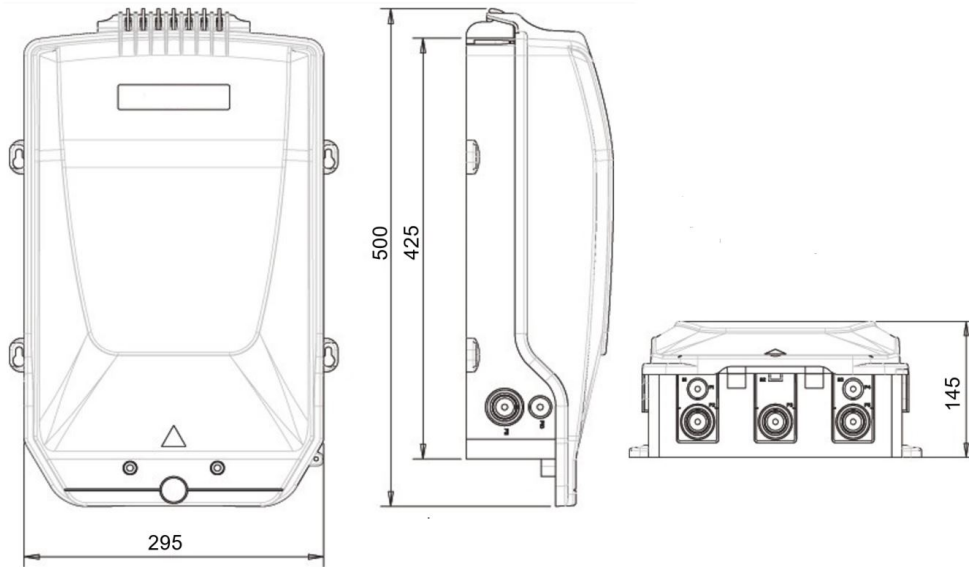
Functionality	Patching Splicing
Access	Front
Enclosure Color	Gray
Front Cover Type	Snap-on cover
Interface	LC/UPC
Mounting	Wall
Port, quantity	24

Dimensions

Height	425 mm 16.732 in
Height, with cover	500 mm 19.685 in
Width	155 mm 6.102 in
Depth	60 mm 2.362 in

Dimension Drawing

CW7713-000 | BUDI-S-T-B-24L100NN



Material Specifications

Enclosure Material Type LSZH thermoplastic

Optical Specifications

Fiber Mode Singlemode

Environmental Specifications

Environmental Space Indoor/Outdoor

Qualification Standards IEC 60529, IP54 | IEC 61753-1, category G

Packaging and Weights

Packaging quantity 1

Packaging Type Box | Carton

Regulatory Compliance/Certifications

Agency	Classification
CHINA-ROHS	Above maximum concentration value
ROHS	Compliant/Exempted
UK-ROHS	Compliant/Exempted

