

EH0192-003 | C/A 2X24P RJ 100PIN 3M



48-pair Cable Assembly, 100-pin male connector to stub, for Nokia 7330 DSLAM, gray, 3 meters

- Designed to meet the requirements of VDSL transmission for use in FTTB/ FTTN deployments
- Small cable diameter allows usage in environments where space constraints and cable routing prove most challenging
- Single-ended cable assembly versions feature a copper wire diameter that is ideal to be terminated with LSA-PLUS modules

Product Classification

Regional Availability Asia | Australia/New Zealand | EMEA
Product Type Copper trunk cable assembly

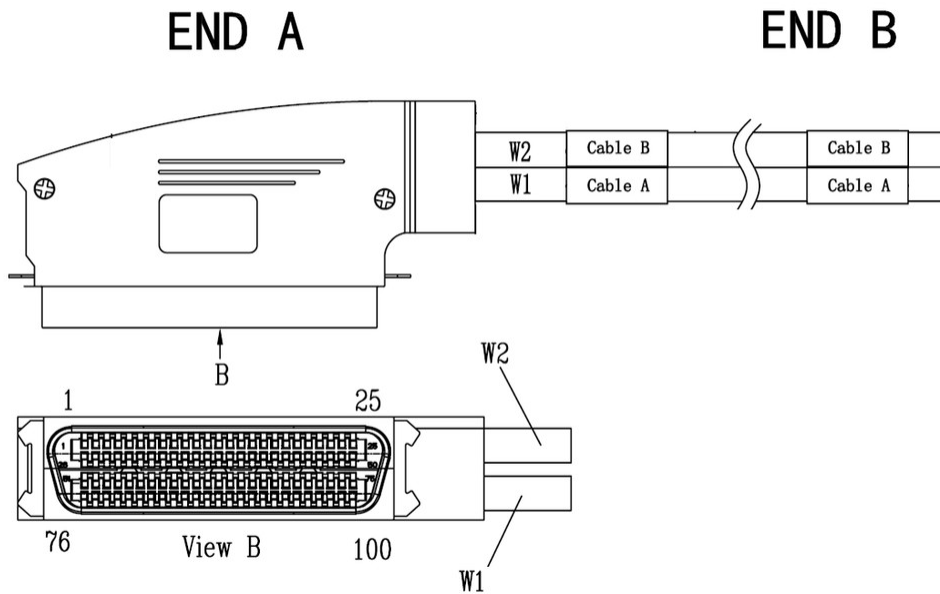
General Specifications

Conductor Type Solid
Construction Type Stranded
Interface, Connector A 100-pin male plug
Interface Feature, connector A Backshell, 90°
Interface, Connector B Unterminated
Jacket Color Gray
Pairs, quantity 48
Total Ports, quantity 8

Dimensions

Cord Length 3 m | 9.843 ft
Diameter Over Jacket 9.2 mm | 0.362 in
Compatible Conductor Gauge, solid 26 AWG

Wiring Diagram



Electrical Specifications

Safety Voltage Rating 300 V

Material Specifications

Conductor Material Bare copper

Environmental Specifications

Operating Temperature -20 °C to +70 °C (-4 °F to +158 °F)

Storage Temperature -0 °C to +50 °C (32 °F to +122 °F)

Environmental Space Low Smoke Zero Halogen (LSZH)

Flammability Rating IEC 60332-1-2

Packaging and Weights

Packaging quantity 1

Regulatory Compliance/Certifications

Agency

REACH-SVHC

Classification

Compliant as per SVHC revision on www.commscope.com/ProductCompliance