

## HD Cable Management Tray

### DESCRIPTION

The HD Cable Management Tray (shown below shaded in gray) is an accessory that extends the HD Sliding Shelf for organizing longer cable breakout lengths. It allows using hook-and-loop straps (or other means) to fasten cable slack loops on the rear of the sliding shelf.

### INSTALLATION PROCEDURE

Use the following procedure to install the HD Cable Management Tray in the HD Sliding Shelf.

1. Lay the tray flat down on the sliding shelf and slide in the tray, making sure that the rear tabs of the tray are positioned below the shelf to hold the tray in place.

2. Slide in the tray until the front retainers on the tray are secured below the front tabs on the sliding shelf.

### CUSTOMER SUPPORT

For general information on CommScope products, visit us online using the following URL:  
<http://www.commscope.com>

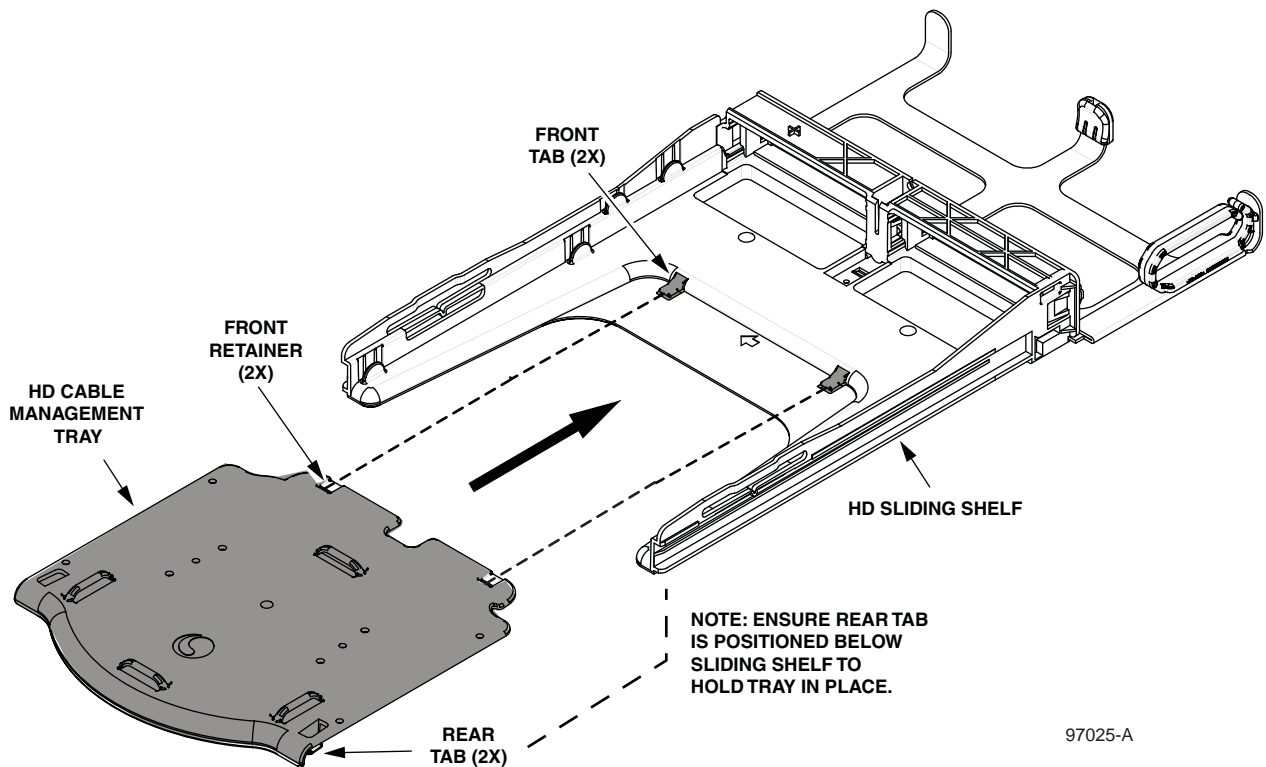
For technical assistance on this or any product, go to the following URL:

<https://www.commscope.com/Support Center>

### PATENTS

For information on current or pending CommScope patents, go to:

<http://www.cs-pat.com>



97025-A

HD Cable Management Tray & HD Sliding Shelf