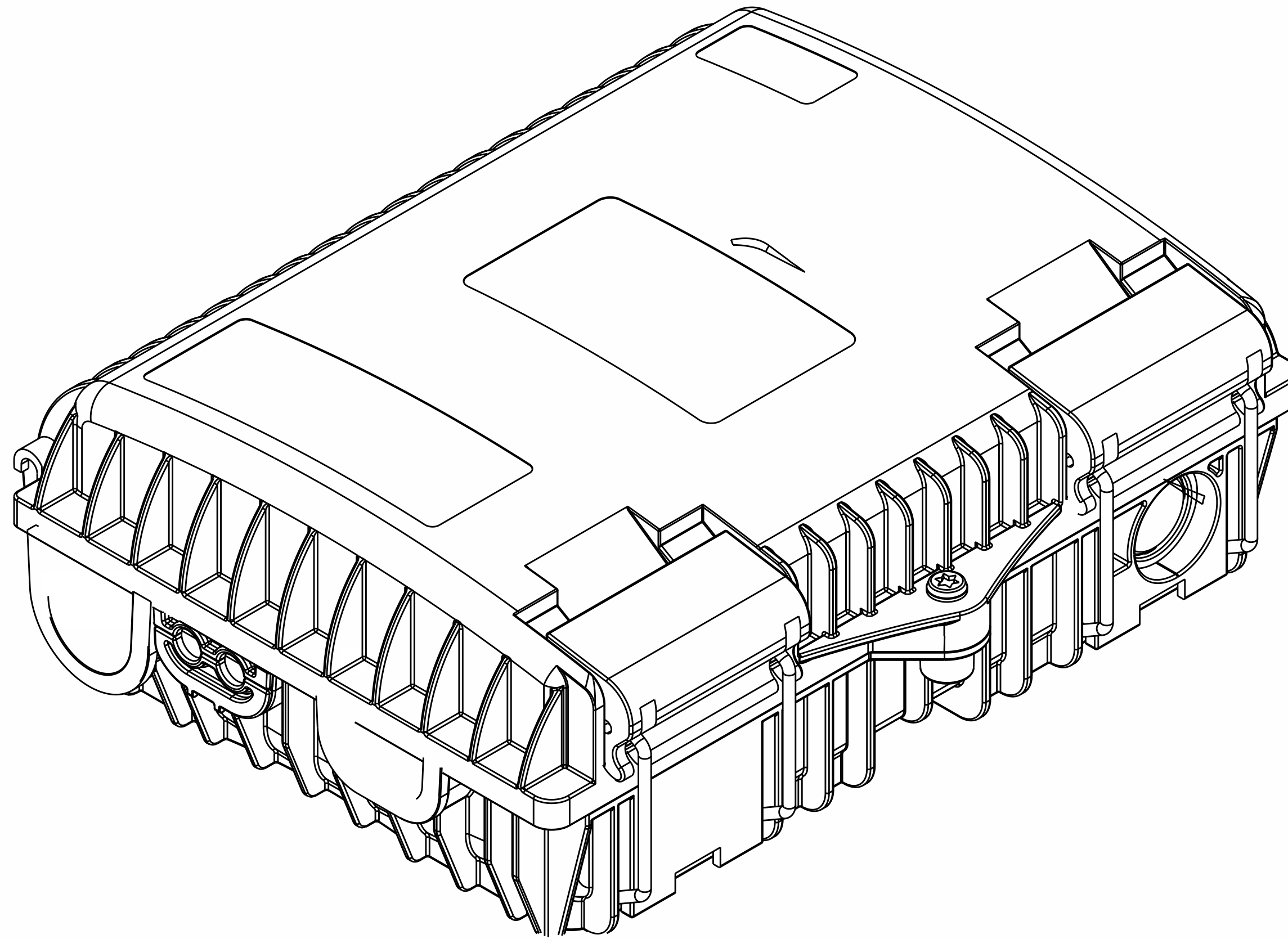


**COMMSCOPE®**

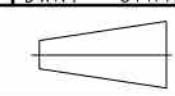
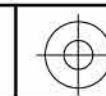
|   |  |                       |                                  |
|---|--|-----------------------|----------------------------------|
| INFORMATION ON THIS DOCUMENT IS PROPRIETARY TO TE CONNECTIVITY AND SHALL NOT BE USED, COPIED, REPRODUCED OR DISCLOSED IN WHOLE OR IN PART WITHOUT WRITTEN CONSENT OF TE CONNECTIVITY. |  | TITLE<br>OWB ASSEMBLY |                                  |
| ALL DIMS AND TOLERANCES ARE INCHES UNLESS OTHERWISE SPECIFIED   | .XX:±N/A<br>.XXX:±N/A<br>ANGULAR:±N/A        | C<br>SIZE             | DRAWING NUMBER<br>1000464170_PDM |
| DO NOT SCALE DRAWING  | ENGR: JOSE F. MENDOZA<br>DWN: OMAR A. VALDEZ | SHT. 4 OF 4           |                                  |

  DIMENSIONS IN INCHES  
THIRD ANGLE PROJECTION



**COMMSCOPE®**

|  |  |   |  |
|--|--|---|--|
| <small>INFORMATION ON THIS DOCUMENT IS PROPRIETARY TO TE CONNECTIVITY AND SHALL NOT BE USED, COPIED, REPRODUCED OR DISCLOSED IN WHOLE OR IN PART WITHOUT WRITTEN CONSENT OF TE CONNECTIVITY.</small> |  | <small>TITLE</small><br><b>OWB ASSEMBLY</b> |  |
| <small>ALL DIMS AND TOLERANCES ARE INCHES UNLESS OTHERWISE SPECIFIED</small>   | <small>.XX:±N/A<br/>.XXX:±N/A<br/>ANGULAR:±N/A</small>       | <small>C<br/>SIZE</small>                   | <small>DRAWING NUMBER</small><br><b>1000464170_PDM</b> |
| <small>DO NOT SCALE DRAWING</small>  | <small>ENGR: JOSE F. MENDOZA<br/>DWN: OMAR A. VALDEZ</small> | <small>SHT. 4 OF 4</small>                  | <small>A<br/>REV</small>                               |



**DIMENSIONS IN INCHES  
THIRD ANGLE PROJECTION**