

**DIN OUTLET 3 PORTS FLUSHMOUNT INSTALLATION KIT FOR
AMP NETCONNECT® AMP-TWIST™ AND SL-SERIES CONNECTORS**

1. INTRODUCTION

This DIN Outlet 3 Ports is designed to accept AMP NETCONNECT® AMP-TWIST and SL Series connectors. *Figures 1.1 and 1.2 show the kit components.*

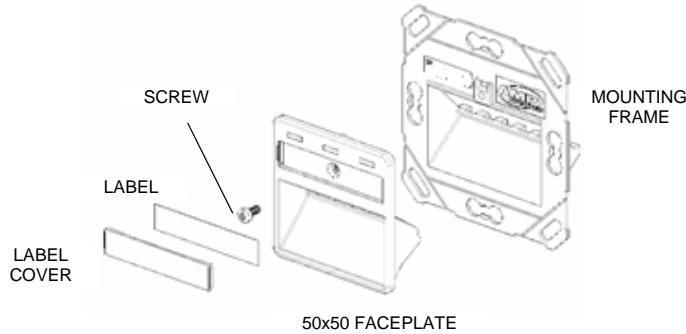


Fig. 1.1 - KIT 1711485-X

Fig. 1.1: Part Number 1711485-X, the 80x80 frame is not included in this kit. 80x80 frames from different manufacturers may be used.

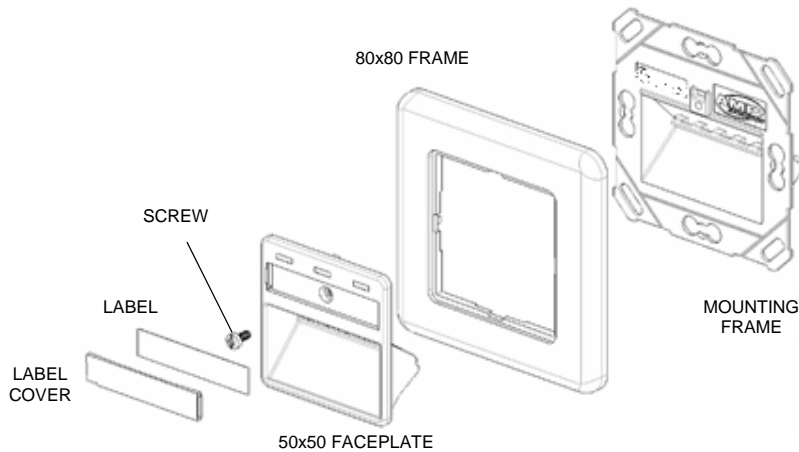


Fig. 1.2 - KIT 1711537-X

Fig. 1.2: Part Number 1711537-X, AMP NETCONNECT solution. This kit includes the 80x80 frame.

NOTE

Connectors are not included in the kits.

2. REFERENCE DOCUMENTS

Customer drawings are available from the service network. The information contained in customer drawings takes priority if there is any conflict with this specification or with any other technical documentation supplied by CommScope.

3. DESCRIPTION

Each application Kit consists of:

- **1711485-X (see fig. 1.1):** 1 mounting frame 71x71 mm, 1 faceplate 50x50, 1 shaft-screw (M2.5), white paper label and 1 transparent label cover.
- **1711537-X (see fig. 1.2):** 1 mounting frame 71x71 mm, 1 frame 80x80, 1 faceplate 50x50, 1 shaft-screw (M2.5), white paper label and 1 transparent label cover.

3.1 Compatible with connectors and auxiliary components: All connectors from AMP-TWIST and SL series. This faceplate also supports the use of dustcovers and strain relief.

NOTE

For connectors termination procedures refer to their respective Instruction Sheet, or other applicable documents.

3.2 Applications: Flush mounting, Surface mounting (with/without spacer CommScope PN 829847-X) and Cable channel or trunks.

3.3 Material/Colour:

- Faceplate, frame and label cover: Polycarbonate according to RAL 9010 (white), 9011 (black), 1013 (almond) and clear-transparent (no colour, fully transparent).
- Mounting frame: Pre-Zinc plated steel.

3.4 Packaging: According to CommScope packaging standards.

3.5 Main features of:

Faceplate: Fixtures for connectors are polarized. Fixed screw (shaft-screw) and break out tabs are used.

Mounting Frame: Fixing holes according to standards.

Frame: According to standards.

4. MOUNTING

Follow next steps in order to assemble the connectors:

4.1 First step is to break out and remove the tabs of the 50x50 faceplate which are in the position where the connectors are going to be placed (remove two adjacent breakable walls - *tabs* - per each connector to be assembled) - see fig. 2.

If 3 connectors are assembled, all the tabs must be removed (see fig. 5)

NOTE

If 2 connectors are assembled, 4 tabs must be removed (some config. shown in fig. 5)

If only 1 connector is assembled, 2 tabs must be removed (some config. shown in fig. 5)

4.2 Place the connector top latch into the top rib of the mounting frame (according to fig. 3).

NOTE The positions that the connectors are going to fill have to match with the tabs which have been previously removed in point 4.1.

4.3 Pivot the connector while pushing it towards the top to allow the bottom latch to enter into the bottom rib of the mounting frame (fig. 4).

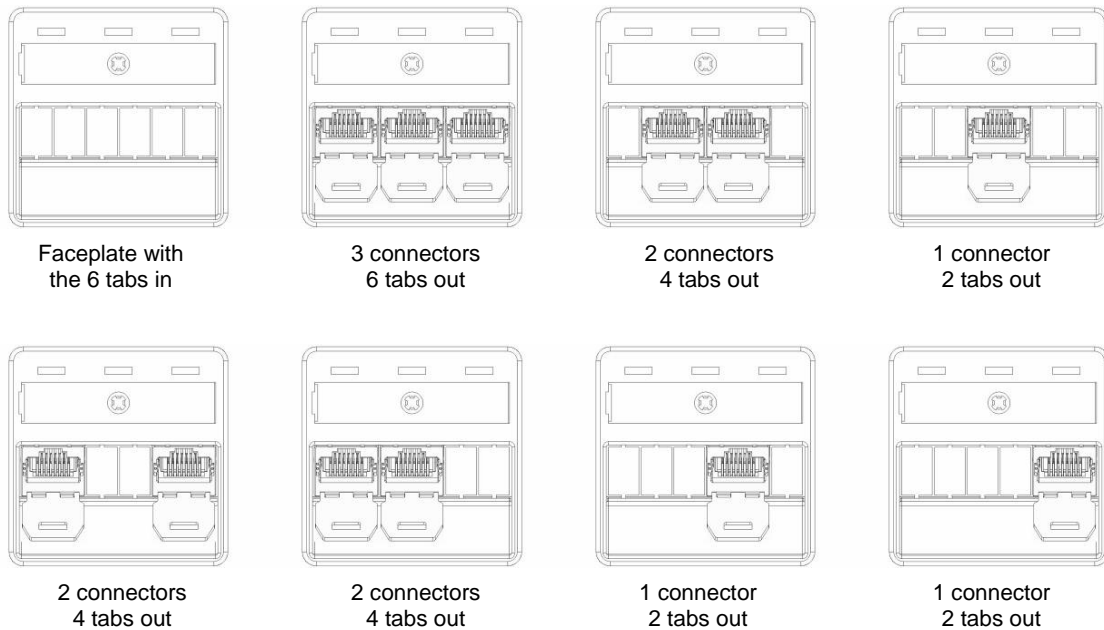
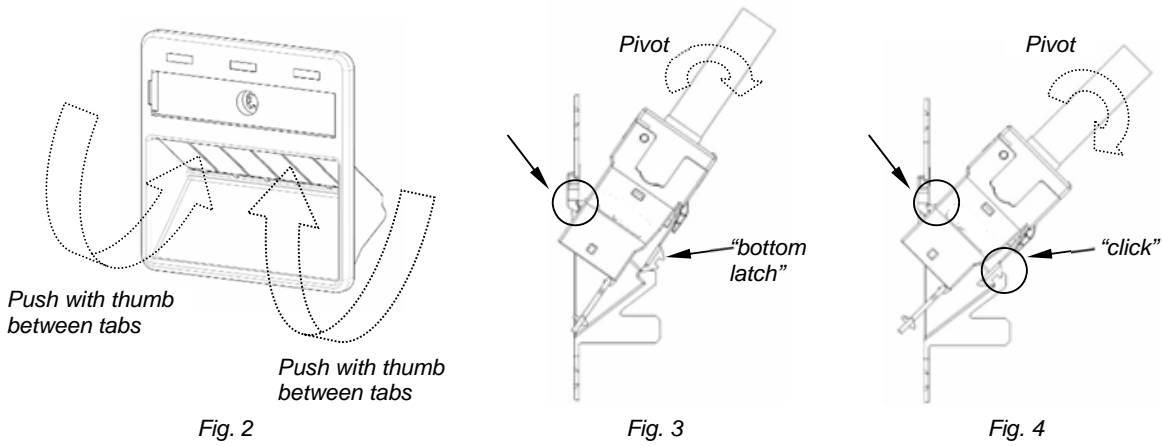


Fig. 5 - Some examples of interaction between the connectors and the faceplate

5. INSTALLATION

Installation procedure

5.1 Remove shaft-screw from mounting frame. Remove label cover and label paper from 50x50 faceplate.

5.2 Mount the connectors according to the mounting instructions in point 4.2.

5.3 Place and fix the mounting frame into the application (see 3.2 - Applications); choosing the adequate holes, according to each application holes (fig. 6).

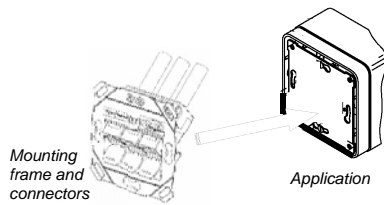


Fig. 6

5.4 On the mounting frame, place the 80x80 frame from AMP NETCONNECT (PN 336608-X) or from other manufacturer (fig. 7).

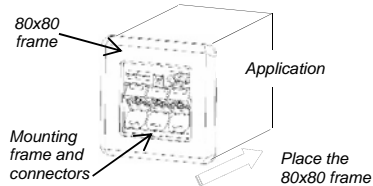


Fig. 7

5.5 Place the 50x50 outlet on the frame and fix it with the screw to the mounting frame (fig. 8).

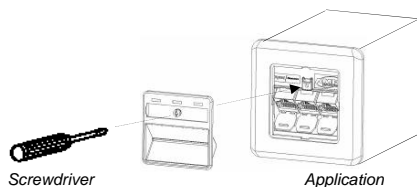


Fig. 8

5.6 Assemble the label and the label cover into the faceplate (fig. 9.1, 9.2 and 9.3).

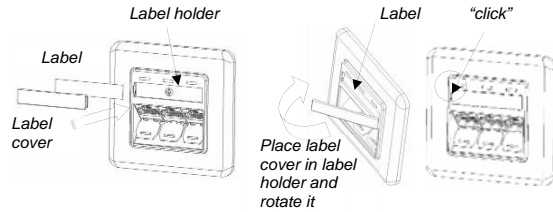


Fig. 9.1

Fig. 9.2

Fig. 9.3

Fig. 10 shows the procedure to extract the label cover: unlock label cover by inserting and twisting a flat object (screwdriver) into the slot (see detail).

Fig. 11 shows the procedure to insert an icon: with a flat object (screwdriver) open the selected icon hole (1) by punching two times and snap the icon (2) in.

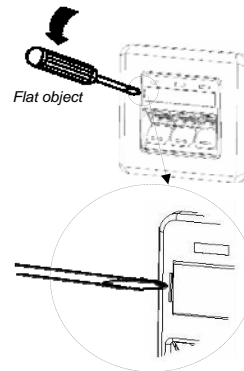


Fig. 10

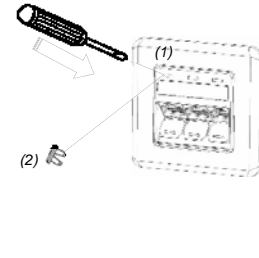


Fig. 11

NOTE

Additional colour coding of the ports can be done by using icons (PN 558176-X, 558198-X or 558199-X).

6. REVISION SUMMARY

Rebranded to CommScope.