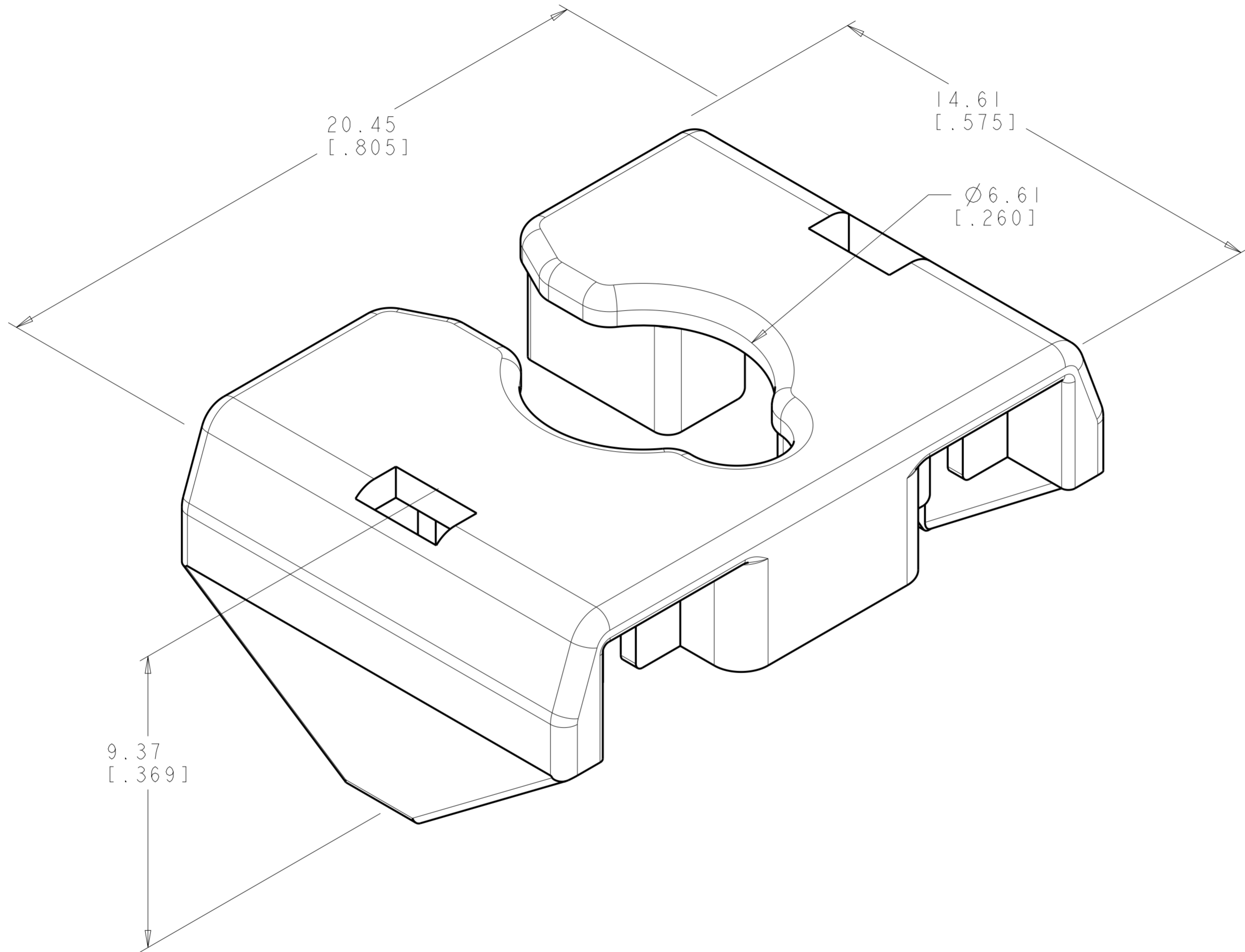


THIS DRAWING IS UNPUBLISHED. RELEASED FOR PUBLICATION
 © 2016 COMMScope, INC. CONFIDENTIAL NOTICE: THESE DRAWINGS AND SPECIFICATIONS ARE THE PROPRIETARY PROPERTY OF COMMScope, INC. AND MAY BE USED ONLY FOR THE SPECIFIC PURPOSE AUTHORIZED IN WRITING BY COMMScope, INC.

REVISIONS				
P	LTR	DESCRIPTION	DATE	APVD
0		RLSD PER EC 0B40-0252-01	30OCT2001	LS CD
A		REV PER BNS_CD_BRAND	09FEB2017	GG DC



- 1 MATERIAL - POLYCARBONATE, CLEAR.
- 2 DIMENSIONS ARE MAXIMUM UNLESS OTHERWISE NOTED.
- 3 PACKAGE 25 STRAIN RELIEFS PER POLYBAG.

3	1375157-1
PACKAGED	PART NO.

THIS DRAWING IS A CONTROLLED DOCUMENT.		DWN L SMITH 30OCT2001	COMMScope, INC.	
DIMENSIONS: MM [INCHES]		CHK L HALL 30OCT2001		
TOLERANCES UNLESS OTHERWISE SPECIFIED:		APVD C DOOLEY 30OCT2001	NAME STRAIN RELIEF	
0 PLC ±	± 2	PRODUCT SPEC	-	
1 PLC ±	±	APPLICATION SPEC	-	
2 PLC ±	±	WEIGHT	-	
3 PLC ±	±	CUSTOMER DRAWING	-	
4 PLC ±	±	SCALE 10.1	SHEET 1	OF 1
ANGLES ±	±	RESTRICTED TO	-	
FINISH	1	REV A	-	