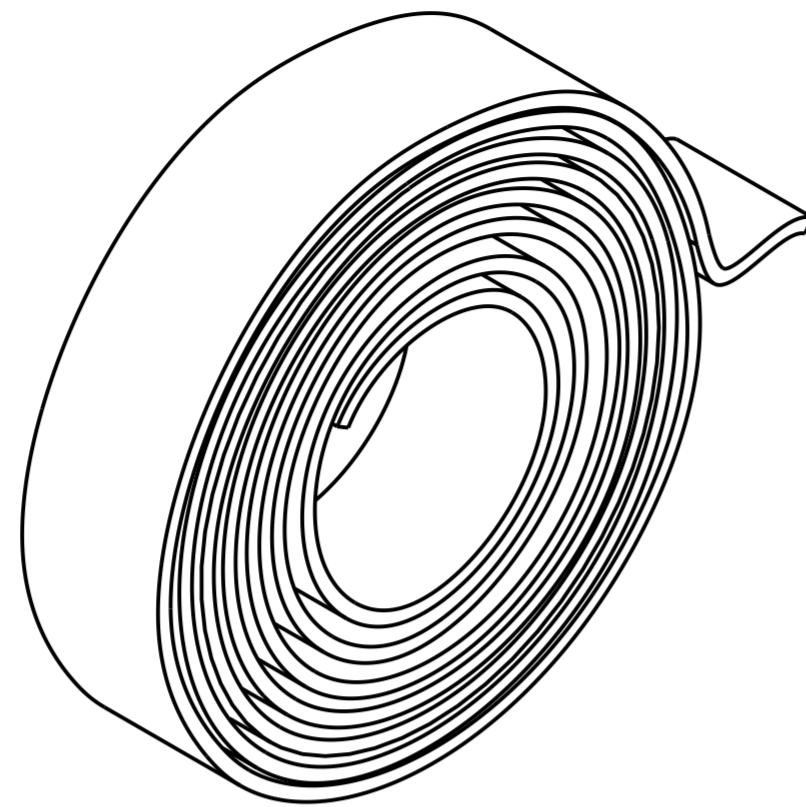


THIS DRAWING IS UNPUBLISHED. RELEASED FOR PUBLICATION
 © 2016 COMMSCOPE, INC. CONFIDENTIAL NOTICE: THESE DRAWINGS AND SPECIFICATIONS ARE THE PROPRIETARY PROPERTY OF COMMSCOPE, INC. AND MAY BE USED ONLY FOR THE SPECIFIC PURPOSE AUTHORIZED IN WRITING BY COMMSCOPE, INC.

REVISIONS				
P	LTR	DESCRIPTION	DATE	APVD
B		REV; ECO-12-015755	17SEP2012	GG SH
C		REV; ECO-15-006158	14APR2015	GG SH
D		REV PER BNS_CD_BRAND	07FEB2017	GG DC



PERFORATED ROLL

- 1 EACH PART NUMBER INCLUDES 10 INDIVIDUAL UNITS AS SHOWN IN FIGURE A.
- 2 MATERIAL: HOOK AND LOOP NYLON, SEE TABLE FOR COLORS.
- 3 DIMENSIONS FOR REFERENCE ONLY.

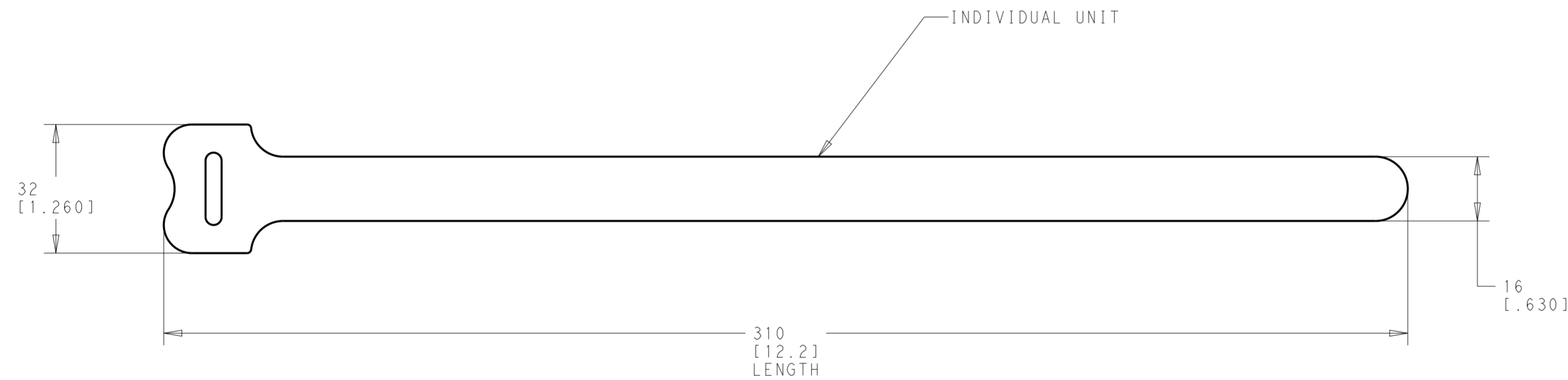


FIGURE A

BLACK	1 1375254-2
COLOR	PART NUMBER

THIS DRAWING IS A CONTROLLED DOCUMENT.		DWN L HALL 20OCT00	COMMSCOPE, INC. NAME HOOK AND LOOP CABLE TIE, 1 INCH X 12 INCH			
DIMENSIONS: MM [INCHES]		CHK L SMITH 20OCT00				
TOLERANCES UNLESS OTHERWISE SPECIFIED:		APVD S HERNDON 20OCT00				
0 PLC ±	1 PLC ±	PRODUCT SPEC	SIZE A2	CAGE CODE	DRAWING NO. C-1375254	RESTRICTED TO
2 PLC ±	3 PLC ±	APPLICATION SPEC	SCALE 1:1	SHEET 1 OF 1	REV D	
4 PLC ±	ANGLES ±	WEIGHT -	Customer Drawing			
MATERIAL 2	FINISH -					