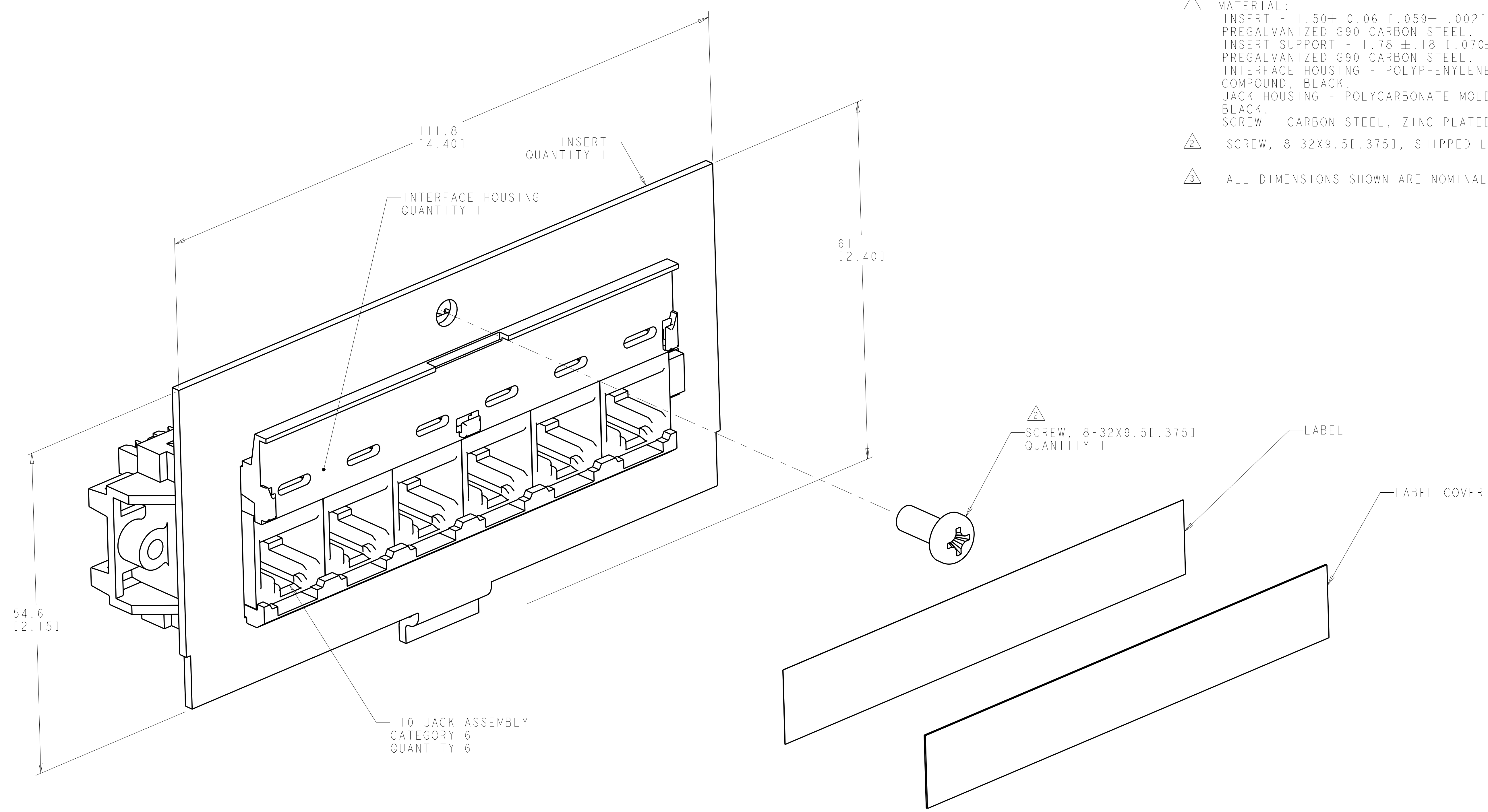


REVISIONS				
REV	LTN	DESCRIPTION	DATE	APVD
A		REV PER BNS_CD_BRAND	14MAR2017	GG DC



- △1 MATERIAL:
 INSERT - 1.50 ± 0.06 [.059 ± .002] THICK
 PREGALVANIZED G90 CARBON STEEL.
 INSERT SUPPORT - 1.78 ± .18 [.070 ± .007] THICK
 PREGALVANIZED G90 CARBON STEEL.
 INTERFACE HOUSING - POLYPHENYLENE OXIDE MOLDING
 COMPOUND, BLACK.
 JACK HOUSING - POLYCARBONATE MOLDING COMPOUND,
 BLACK.
 SCREW - CARBON STEEL, ZINC PLATED.
- △2 SCREW, 8-32X9.5 [.375], SHIPPED LOOSE.
- △3 ALL DIMENSIONS SHOWN ARE NOMINAL.

1375367-1
 PART NUMBER

THIS DRAWING IS A CONTROLLED DOCUMENT.		OWN G. GARRETT CM*	14MAR2017	COMMSCOPE, INC.	
DIMENSIONS: MM [INCHES]		APVD D. CRAIG	14MAR2017		
TOLERANCES UNLESS OTHERWISE SPECIFIED:		PRODUCT SPEC		RESTRICTED TO	
0 PLC	±	APPLICATION SPEC		SIZE A 1	CAGE CODE 1375367
1 PLC	±	WEIGHT		SCALE 1:1	SHEET 1 OF 1
2 PLC	±	CUSTOMER DRAWING		REV A	
3 PLC	±				
4 PLC	±				
ANGLES	±				
MATERIAL	△1				
FINISH					