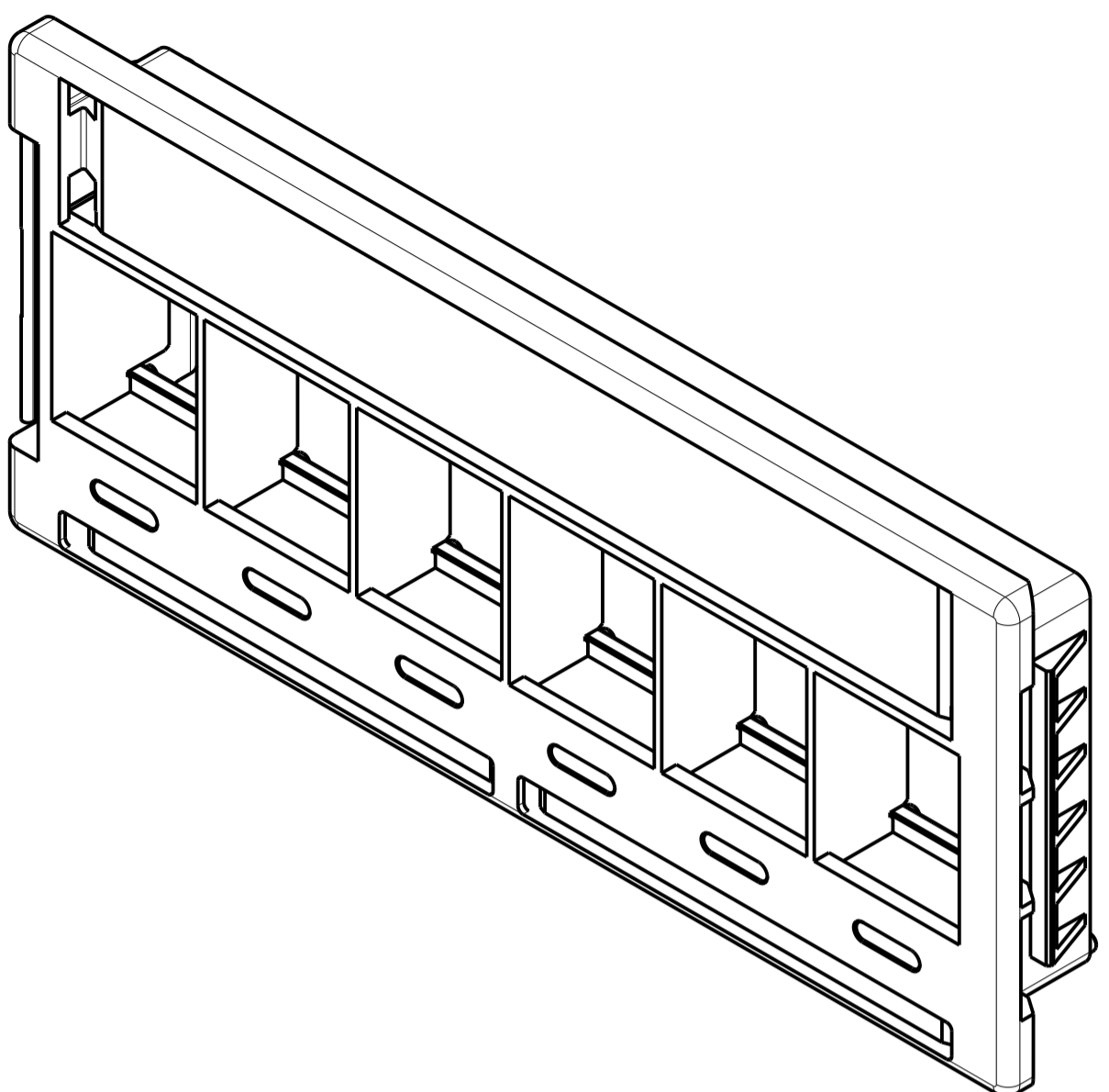
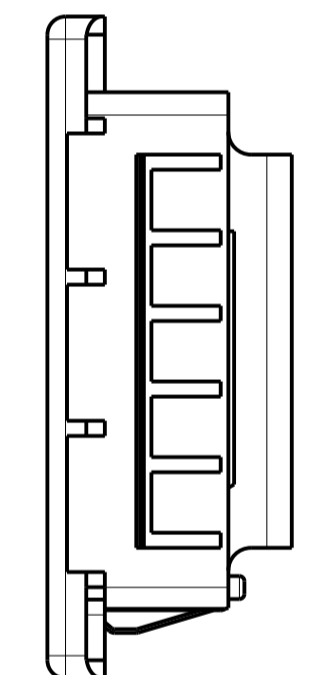
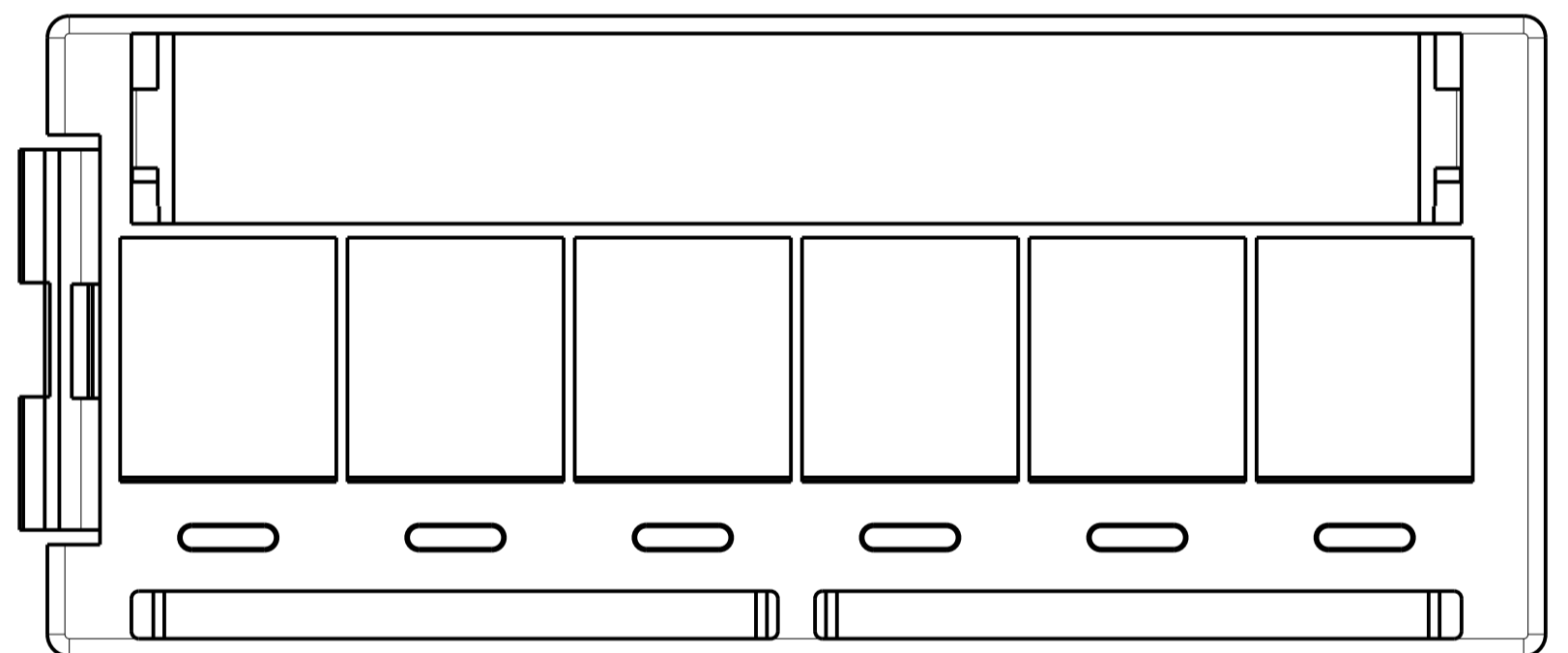


THIS DRAWING IS UNPUBLISHED. RELEASED FOR PUBLICATION
 © 2016 COMMSCOPE, INC. CONFIDENTIAL NOTICE: THESE DRAWINGS AND SPECIFICATIONS ARE THE PROPRIETARY PROPERTY OF COMMSCOPE, INC. AND MAY BE USED ONLY FOR THE SPECIFIC PURPOSE AUTHORIZED IN WRITING BY COMMSCOPE, INC.

REVISIONS				
REV	LTN	DESCRIPTION	DATE	APVD
A		ECO-09-013112	03JUNE2009	JB SH
B		REV: ECO-09-014199	16JUNE2009	JB SH
C		REV PER BNS_CD_BRAND	01FEB2017	GG DC



1. PACKAGE INCLUDES 1 INTERFACE HOUSING, 1 ID LABEL SHEET, 1 PAPER LABEL SHEET, AND 1 CLEAR LABEL COVER IN POLYBAG.
2. ITEMS 2, 3, 4 NOT SHOWN ON DRAWING.



ITEM NO	DESCRIPTION	QUANTITY
1	ID PORT LABELS	4
2	PAPER LABEL SHEETS	3
3	CLEAR LABEL COVERS	2
4	INTERFACE HOUSING, STP	1

THIS DRAWING IS A CONTROLLED DOCUMENT.		DWN J BURWELL 03JUNE2009 CHK S HERNDON 03JUNE2009 APVD S HERNDON 03JUN2009	COMMSCOPE, INC. NAME INTERFACE HOUSING RESIDENTIAL KIT, STP
DIMENSIONS: MM 	TOLERANCES UNLESS OTHERWISE SPECIFIED: 0 PLC ± 1 PLC ± 2 PLC ± 3 PLC ± 4 PLC ± ANGLES ±	PRODUCT SPEC APPLICATION SPEC WEIGHT CUSTOMER DRAWING	SIZE CAGE CODE DRAWING NO RESTRICTED TO A1 C=2111093 SCALE 2:1 SHEET 1 OF 1 REV C