

TFAM91/21-34

ION®-B Series Medium Power Remote Unit for EGSM 900 and UMTS



OBSOLETE

Product Classification

Product Type Remote unit

Product Brand ION®-B

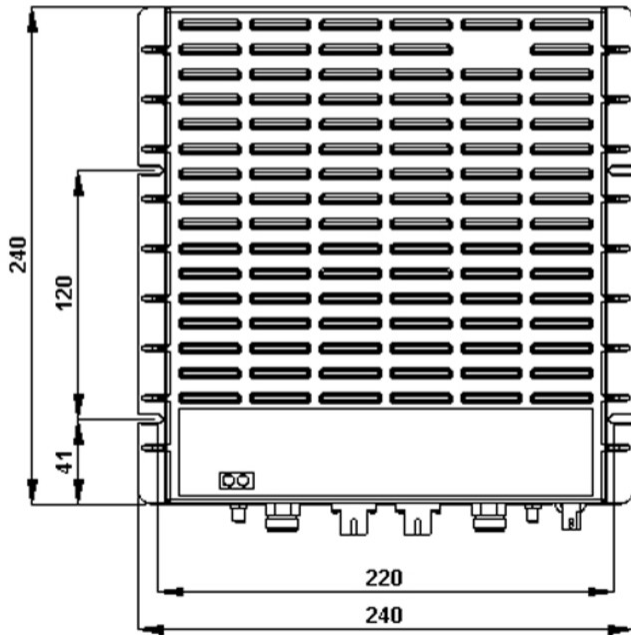
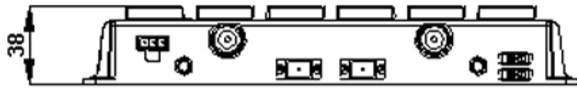
General Specifications

Note Detailed Product Specifications are available. Please contact your local CommScope representative.

Power Type Medium

Dimension Drawing

TFAM91/21-34



Electrical Specifications

Impedance	50 ohm
License Band	EGSM 900 UMTS
Voltage Range	-60 to -36 Vdc

Electrical Specifications, Rx (Uplink)

Operating Frequency Band	1920 – 1980 MHz (UMTS) 880 – 915 MHz (EGSM 900)
---------------------------------	---

Electrical Specifications, Tx (Downlink)

Operating Frequency Band	2110 – 2170 MHz (UMTS) 925 – 960 MHz (CEL 900)
---------------------------------	--

Regulatory Compliance/Certifications

TFAM91/21-34

Agency

CHINA-ROHS

ISO 9001:2015

ROHS



Classification

Above maximum concentration value

Designed, manufactured and/or distributed under this quality management system

Compliant/Exempted

Included Products

TPSN3/05-30 – Power Supply Adapter ION®-B Series Remote Units, 30 W

TPSN3/05-30

Power Supply Adapter ION®-B Series Remote Units, 30 W



Product Classification

Product Type

Power adapters

Product Brand

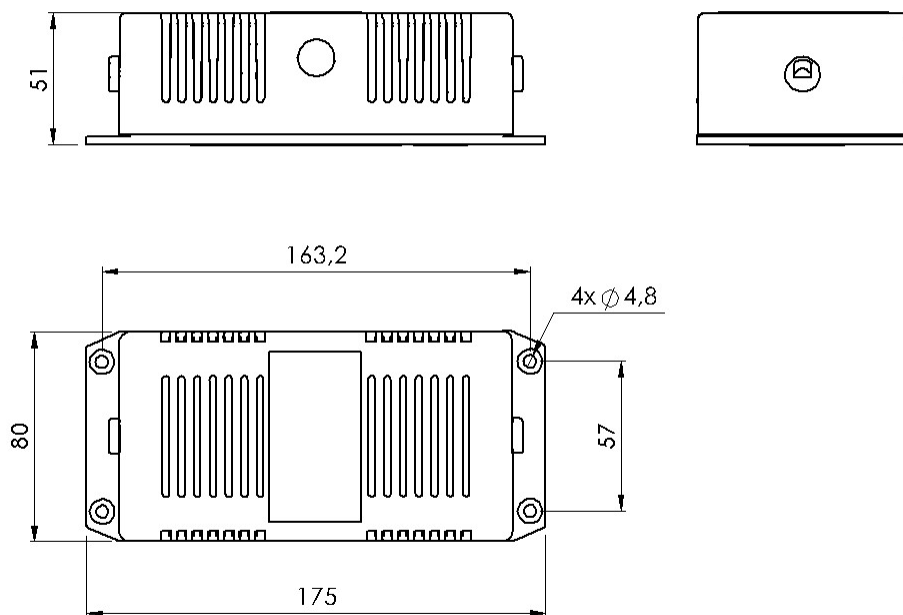
ION®-B

General Specifications

Note

Detailed Product Specifications are available. Please contact your local CommScope representative.

Dimension Drawing



TPSN3/05-30

Electrical Specifications

Output Power, maximum

30 W

Regulatory Compliance/Certifications

Agency	Classification
CHINA-ROHS	Below maximum concentration value
ISO 9001:2015	Designed, manufactured and/or distributed under this quality management system
REACH-SVHC	Compliant as per SVHC revision on www.commscope.com/ProductCompliance
ROHS	Compliant

