



CRRP-Type Ladder Rack Cable Retaining Post Instructions

Ordering Information

Ordering information is listed below:

Material ID	Part No.	Description
760083972	CRRP-6H	Ladder rack cable retaining post, 6" (152mm) H
760083980	CRRP-8H	Ladder rack cable retaining post, 8" (203mm) H
760083998	CRRP-10H	Ladder rack cable retaining post, 10" (254mm) H

How to Contact Us

- To find out more about **CommScope®** products, visit us on the web at <http://www.commscope.com/>
- For technical assistance:
 - Within the United States, contact your local account representative or technical support at 1-800-344-0223. Outside the United States, contact your local account representative or Authorized Business Partner.
 - Within the United States, report any missing/damaged parts or any other issues to **CommScope** Customer Claims at 1-866-539-2795. Outside the United States, contact your local account representative or Authorized Business Partner.

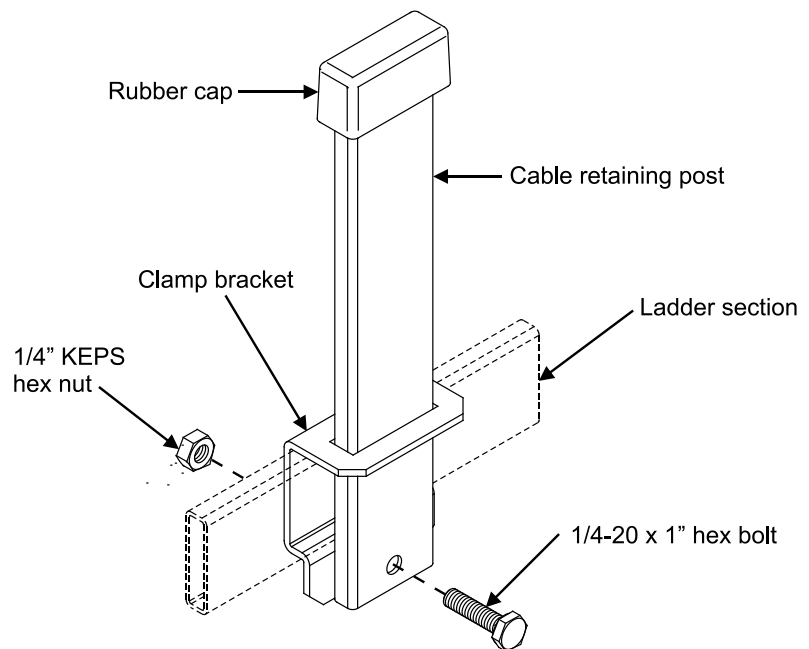
Parts List

Verify parts against the parts list below:

Quantity	Description
1	Cable retaining post
1	Clamp bracket
1	1/4-20 x 1" hex bolt
1	1/4-20 KEPS hex nut
1	Rubber cap
1	Instruction sheet

Tools Required

- 7/16" socket and driver or open-end wrench



Installation