



SYSTIMAX 360™ Stackable, Fusion Splice Holder Kit Instructions

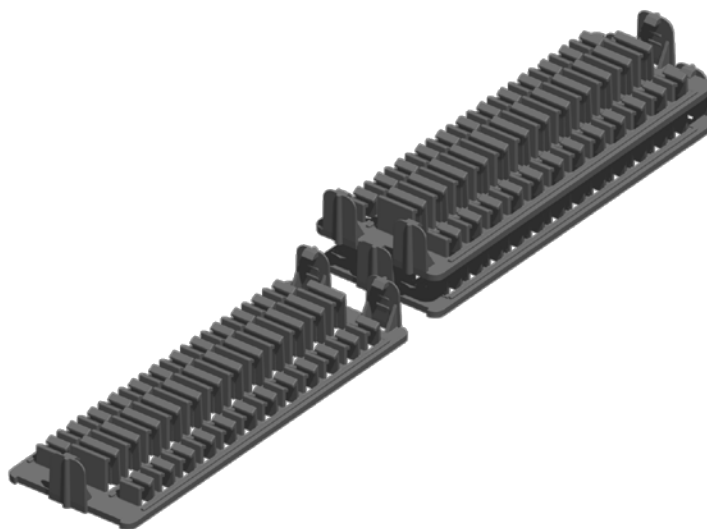
General

The **SYSTIMAX 360™** fusion splice holder contains two 3.4 inch wide x 0.4 inch high x 1.2 inch deep (86mm x 10 mm x 30mm) splice sleeve holders that can store up to 12 splices each for a total of 24 single fusion splice sleeves. The holder is compatible with Fujikura FP-03 series, Furakawa S921 and S922 or Uniprise SFS (9701008/00) single fusion splices only. Multiple holders may be stacked and snapped together without the use of adhesives or other hardware. Two tape strips are provided to attach the holders to a chassis, such as a shelf floor.

This product is intended for indoor use or can be used outdoors in a suitable protective enclosure.

Ordering information is listed below:

Material ID	Part No.	Description
760148536	SPLICE-24-FUS	SYSTIMAX 360™ Fusion splice holder



SYSTIMAX 360™ Fusion Splice Holders (Shown in Single and Stacked Configurations)

How to Contact Us

- To find out more about **CommScope**[®] products, visit us on the web at <http://www.commscope.com/>
- For technical assistance:
 - Within the United States, contact your local account representative or technical support at 1-800-344-0223. Outside the United States, contact your local account representative or Authorized Business Partner.
 - Within the United States, report any missing/damaged parts or any other issues to CommScope Customer Claims at 1-866-539-2795. Outside the United States, contact your local account representative or Authorized Business Partner.

Parts List

Verify parts against the parts list below:

Quantity	Description
2	Splice sleeve holders
2	Tape strips

Materials Required

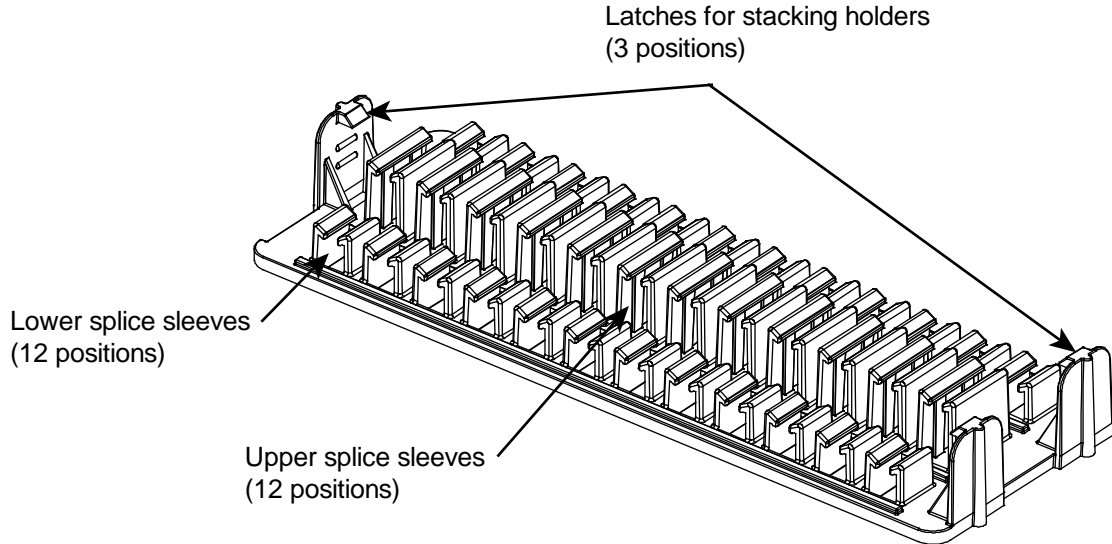
- Alcohol (IPA)
- Lint-free wipes



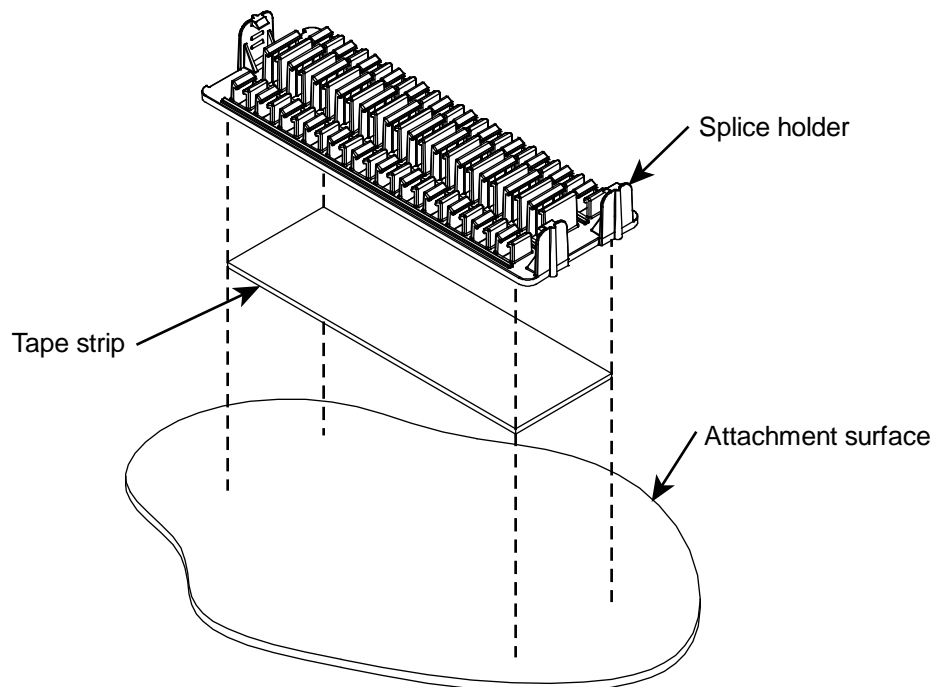
Cautions

- Disconnected optical components may emit invisible optical radiation that can damage your eyes. Never look directly into an optical component that may have a laser coupled to it. Serious and permanent retinal damage is possible. If accidental exposure to laser radiation is suspected, consult a physician for an eye examination.
- Wearing safety glasses during installation of this shelf is recommended. Although standard safety glasses provide no protection from potential optical radiation, they offer protection from accidental airborne hardware and cleaning solvents.

Splice Holder Features



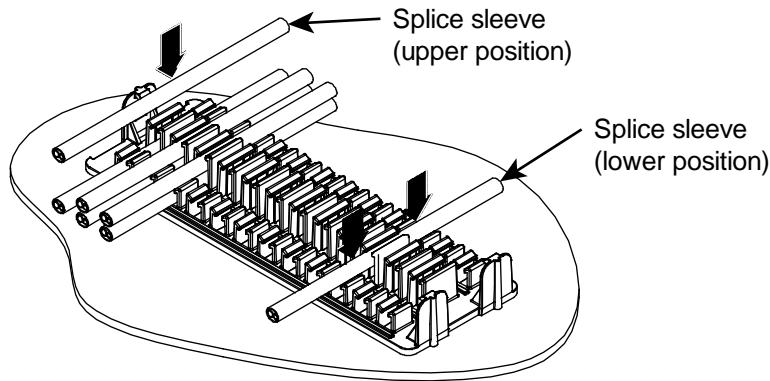
Step 1 – Install Splice Holder



1. Use isopropyl alcohol (IPA) and lint-free wipes to clean the bottom of splice holder and surface to which the holder will be attached.
2. Remove backing from one side of tape strip and press on bottom of splice holder.
3. Remove backing from opposite side of tape strip and press splice holder down onto attachment surface.

Note: Tape strips are provided to attach splice holders to a surface (e.g. a shelf floor), but are not used for stacking of multiple holders.

Step 2 – Insert Splice Sleeves into Holder

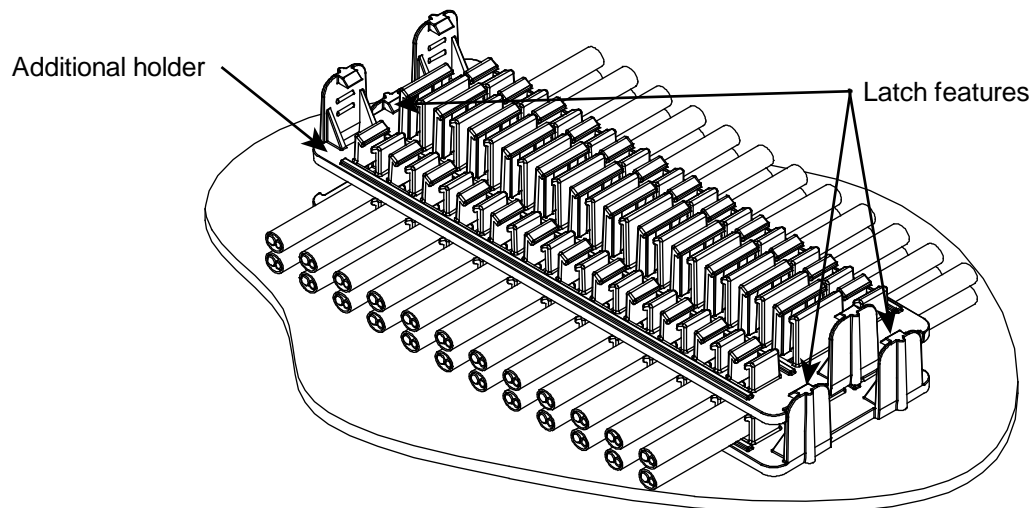


WARNING: Take proper precautions to avoid damaging fiber while routing into shelf and inserting sleeves into splice holder.

1. Install splice sleeves into lower position of holders by firmly pressing sleeve down into retention slots on each side of holder. One finger is sufficient for placing sleeves into upper set of retention slots. Use an orange stick or similar device to remove sleeves for repairs.

If holders are to be stacked, proceed to Step 3.

Step 3 – Stacking Splice Holders



After first holder is populated, additional holders may be stacked vertically.

1. Orient new holder 180° from previous holder orientation so that latches can interlock as shown.
2. Carefully flex new holder sufficiently to engage latches on lower holder as shown above.
3. Populate new holder with splice sleeves.
4. Repeat as desired.