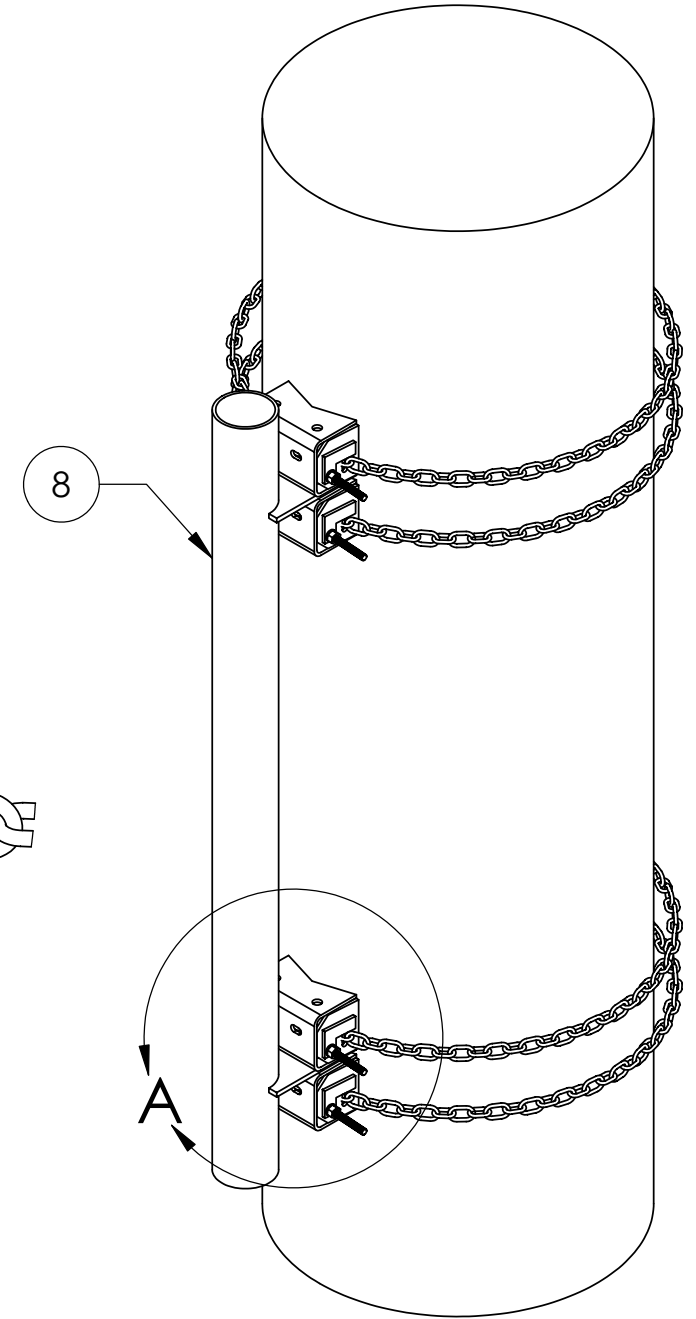
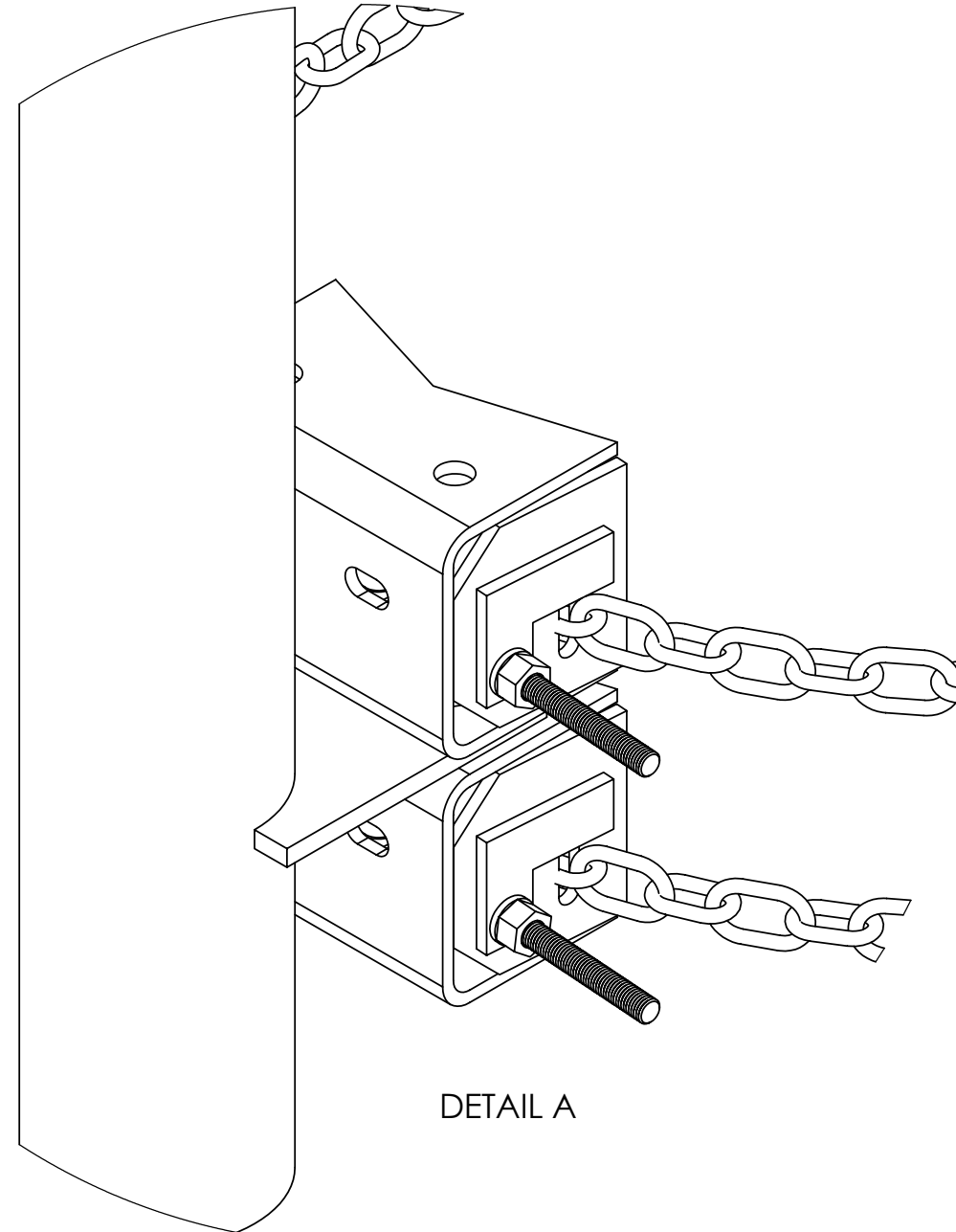
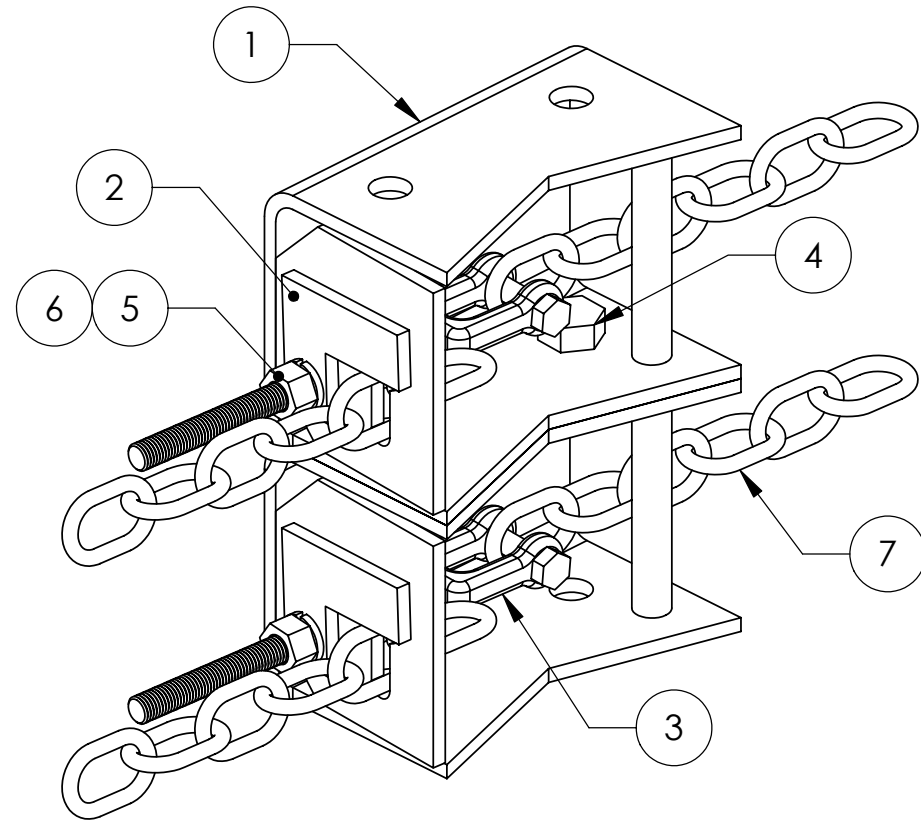


ITEM	PART NO.	DESCRIPTION	QTY.	WEIGHT
1	CM.01	CHAIN MOUNT ANCHOR	4	5.95
2	CM.03	CHAIN LOCK	4	0.27
3	CM.04	1/2" RIGHT HAND THREAD JAW	4	0.55
4	GB-0516A	5/8" X 1-3/4" GALV BOLT KIT (A325)	4	0.25
5	GWL-04	1/2" GALV LOCK WASHER	4	0.01
6	GN-04	1/2" GALV HEX NUT (C2)	4	0.04
7	G4-0-XXX	G-40 CHAIN (SEE TABLE)	4	
8	MT-XXX	PIPE MOUNT		


PART NUMBER	WEIGHT	PIPE MOUNT	QTY	CHAIN	CHAIN LENGTH
CM-H30-B	52.12	NONE	0	G4-0-96	8ft
CM-H30-63	116.62	MT-395	1	G4-0-96	8ft
CM-H60-B	76.12	NONE	0	G4-0-192	16ft
CM-H60-63	140.62	MT-395	1	G4-0-192	16ft

REVISIONS				
REV.	ZONE	DESCRIPTION	BY	DATE
A		INITIAL RELEASE	AW	12/16/04
B		ADD BALLOONS	ACG	08/01/07



NOTES:

- ATTACH THE PIPES OR PIPE MOUNTS TO THE BRACKETS PRIOR TO ADDING THE JAW-BOLT/CHAIN ASSEMBLY

<small>These drawings and specifications are the proprietary property of ANDREW CORPORATION and may be used only for the specific purpose authorized in writing by Andrew Corporation.</small> ALL DIMENSIONS ARE IN INCHES U.O.S. TOLERANCES UNLESS OTHERWISE SPECIFIED: .X = .06 ANGLES 2' .XX = .03 FRACTIONS 1/32 .XXX = .010 REMOVE BURRS AND BREAK EDGES .005 DO NOT SCALE THIS PRINT	DRAWN BY: AW	SHEET: 1 of 1	PART NUMBER: CM-H SERIES
	CHECKED BY: TP	SCALE: NTS	DESCRIPTION: HEAVY DUTY CHAIN MOUNT
	DATE: 12/16/04	MATERIAL: A36	DRAWING TYPE: ASSEMBLY DRAWING
	REVISION: B	FINISH: GALV A123 WEIGHT: SEE TABLE	 ANDREW®
		ORLAND PARK, IL. 60462 U.S.A.	