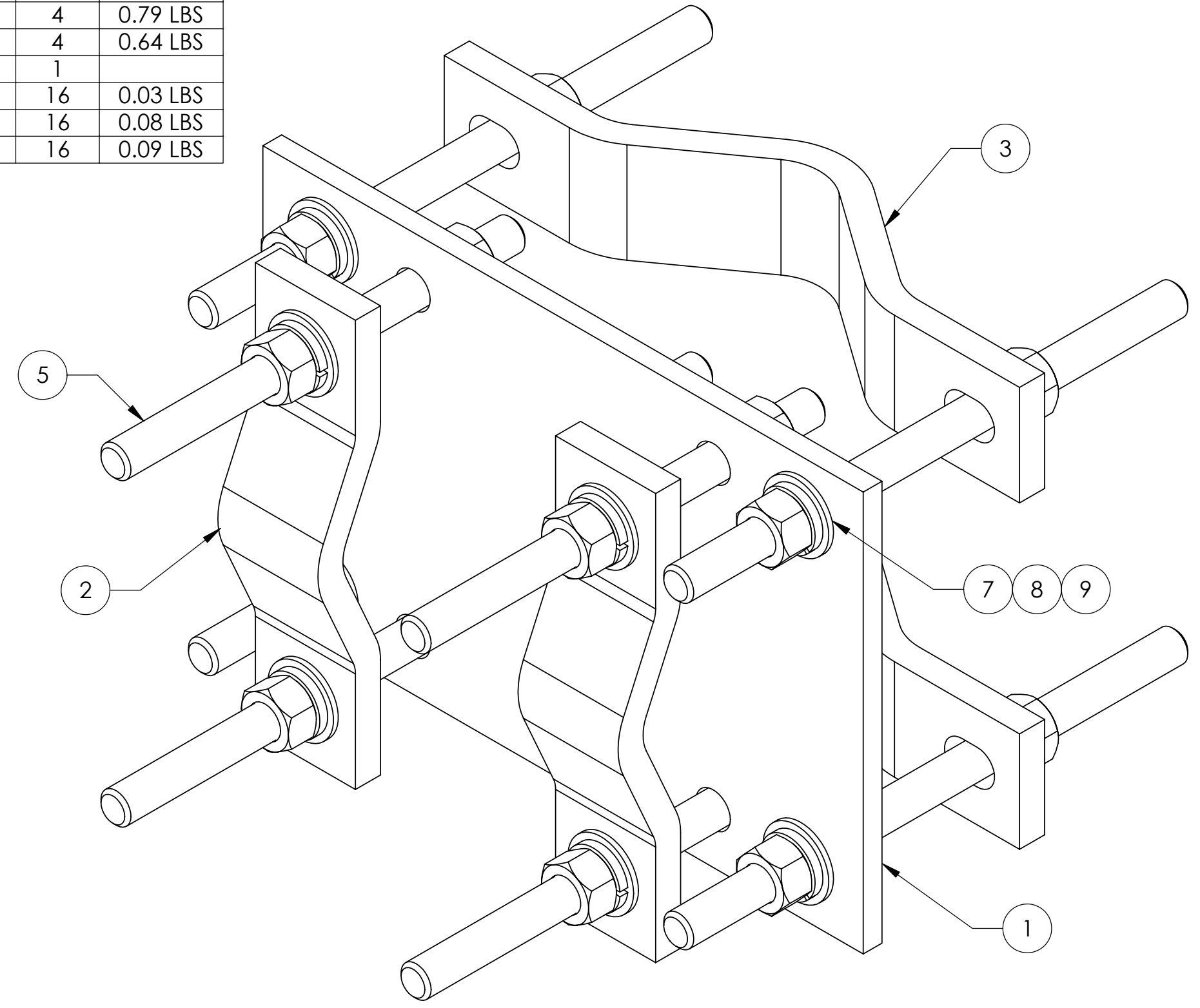



ITEM	PART NO.	DESCRIPTION	QTY.	WEIGHT
1	ADM	CROSSOVER PLATE 12" X 8"	1	9.83 LBS
2	DCP10	SMALL CLAMP HALF	2	2.21 LBS
3	MCP10	MEDIUM CLAMP HALF	2	3.36 LBS
4	MT-381-10	5/8" X 10" THREADED ROD	4	0.79 LBS
5	MT-381-8	5/8" X 8" GALV THREADED ROD	4	0.64 LBS
6	HB5816	HARDWARE KIT (CONTAINS ITEM 7-9)	1	
7	GWF05A	5/8" GALV FLAT WASHER (A325)	16	0.03 LBS
8	GN05A	5/8" GALV HEX NUT (A325)	16	0.08 LBS
9	GWL-05	5/8" GALV LOCK WASHER	16	0.09 LBS

REVISIONS				
REV.	ZONE	DESCRIPTION	BY	DATE
A		INITIAL RELEASE	TDM	01/11/00
B		REVISED & REDAWN	JTS	03/01/01



These drawings and specifications are the proprietary property of ANDREW CORPORATION and may be used only for the specific purpose authorized in writing by Andrew Corporation.  ALL DIMENSIONS ARE IN INCHES U.O.S. TOLERANCES UNLESS OTHERWISE SPECIFIED: .X = ± .06      ANGLES      ±2° .XX = ± .03      FRACTIONS      ±1/32 .XXX = ± .010  REMOVE BURRS AND BREAK EDGES .005  DO NOT SCALE THIS PRINT	DRAWN BY: ACG	SHEET: 1 of 1	PART NUMBER: CO-400
	CHECKED BY: TP	SCALE: NTS	DESCRIPTION: CROSSOVER PLATE 2" - 5" TO 4" - 9" OD
	DATE: 06/17/05	MATERIAL: A36	DRAWING TYPE: ASSEMBLY DRAWING
	REVISION: B	FINISH: GALV A123	 ORLAND PARK, IL. 60462 U.S.A.
		WEIGHT: 28.88 LBS	