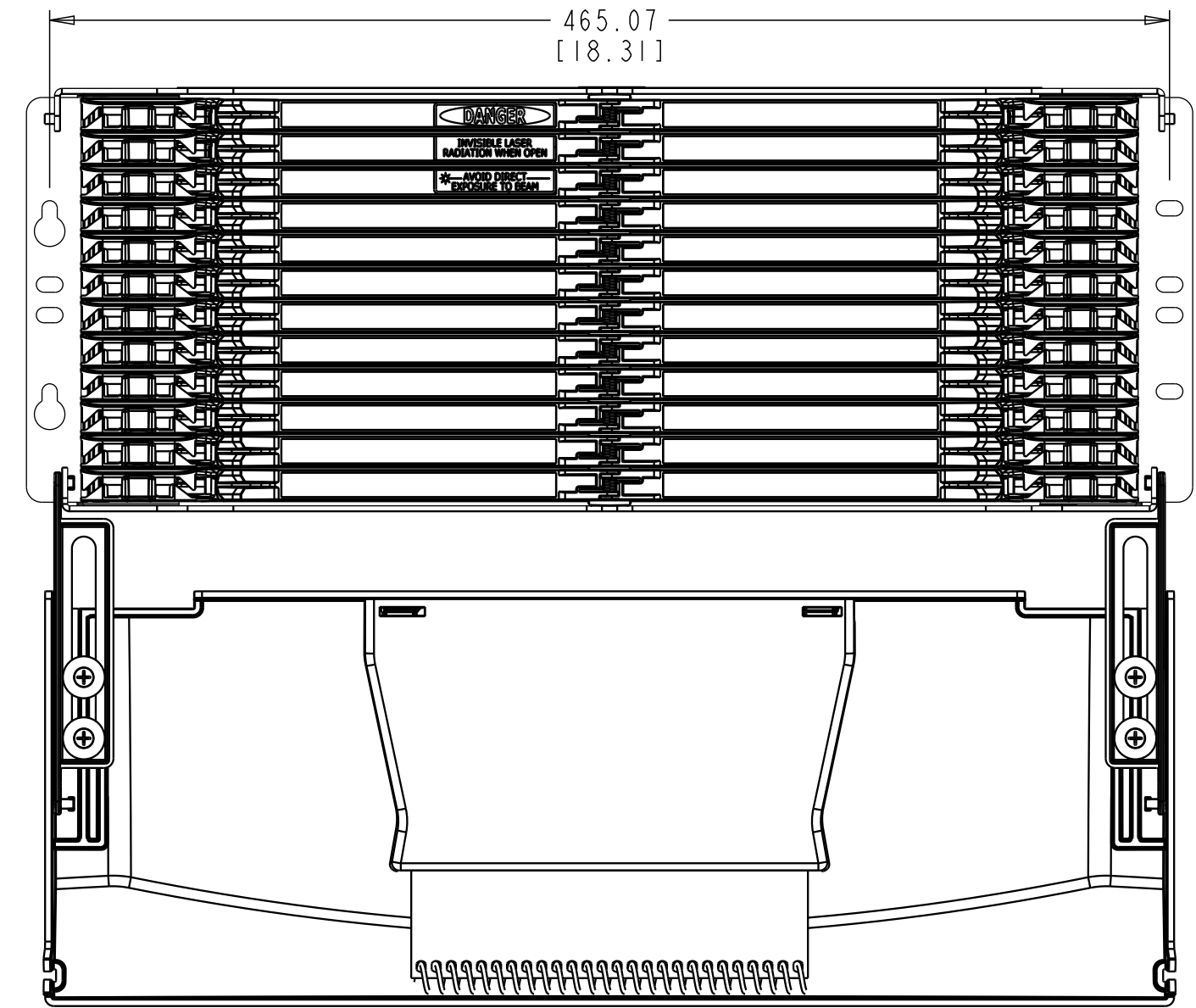
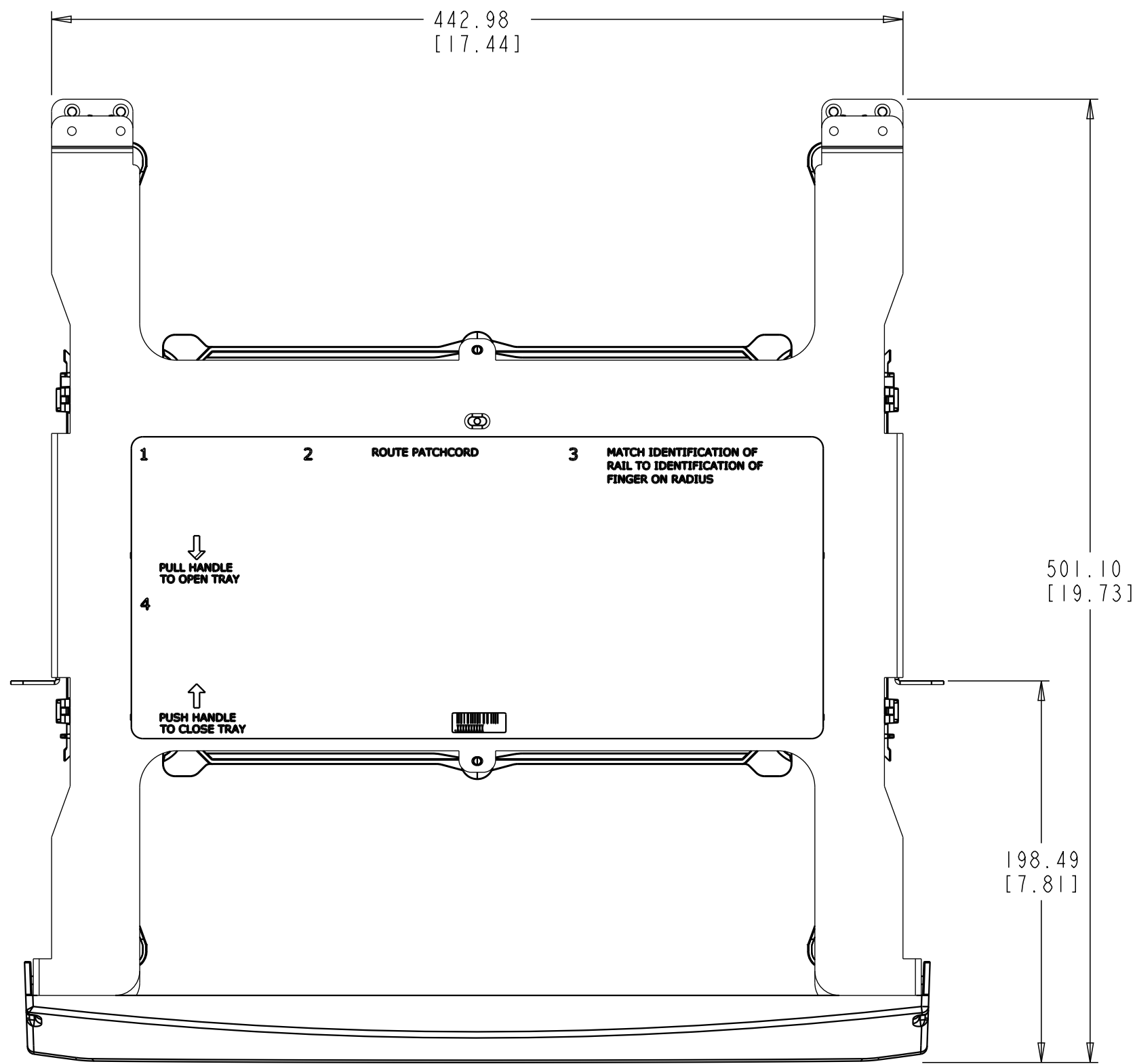
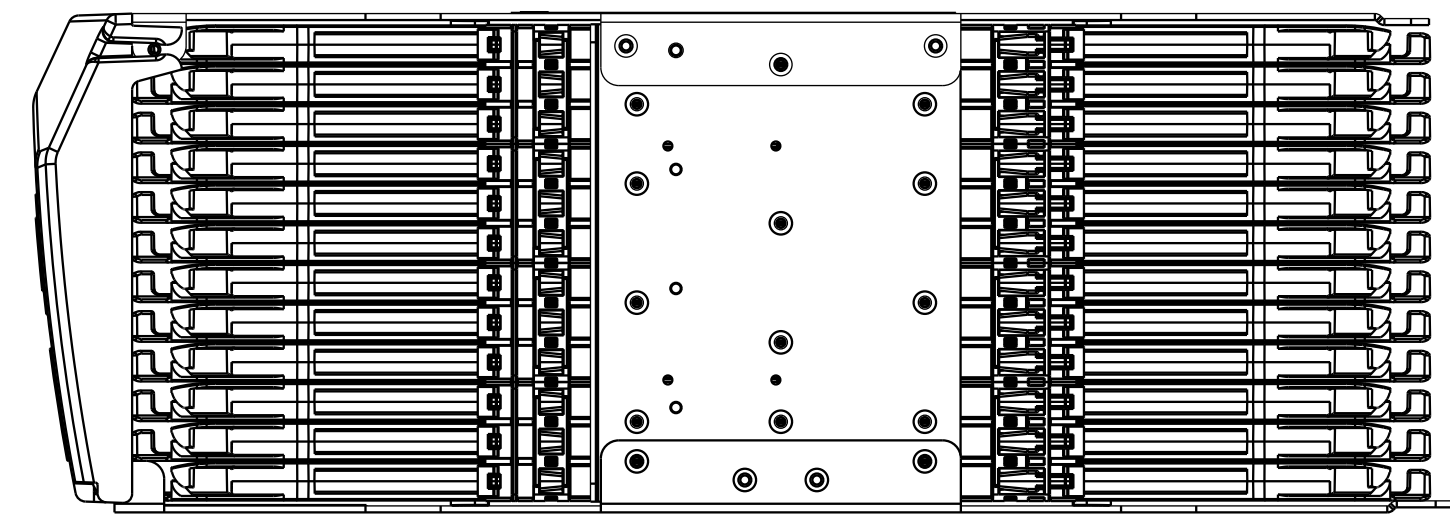
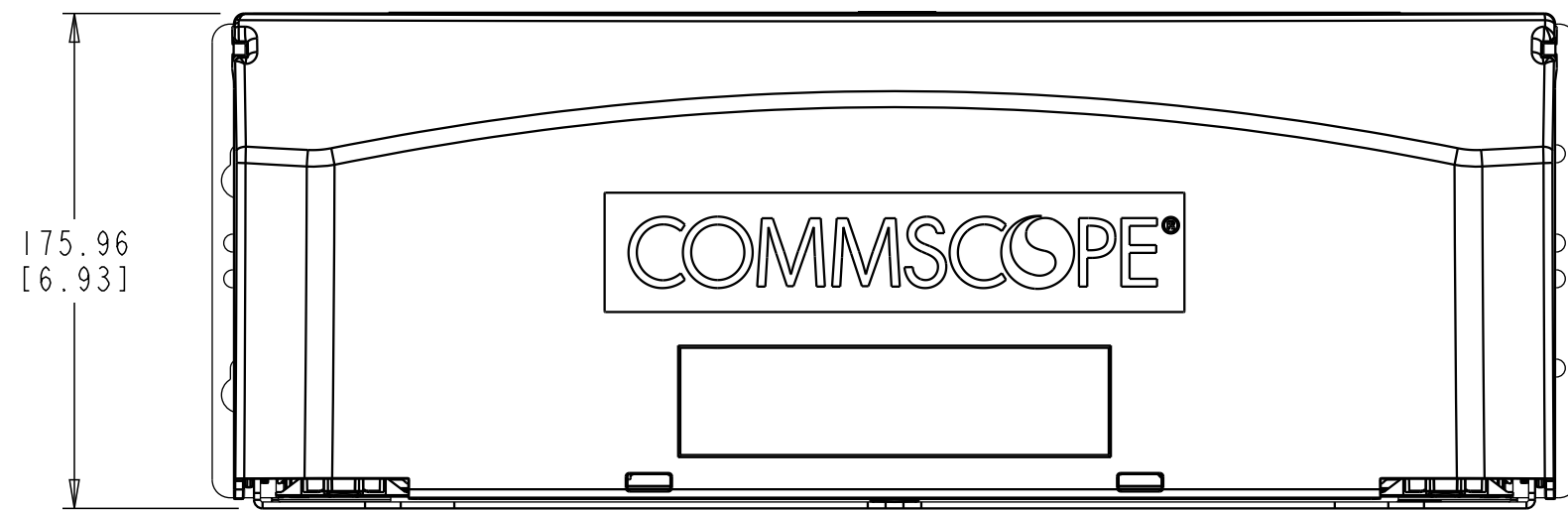


REV	MCO	DWN	DATE
E	40013079MCO	SV	24-MAR-14
F	8000021182	VFV	27-MAR-17



SHOWN WITH CHASSIS DOOR OPEN  
AND WITHOUT SIDE FIBER RADIUS GUIDES

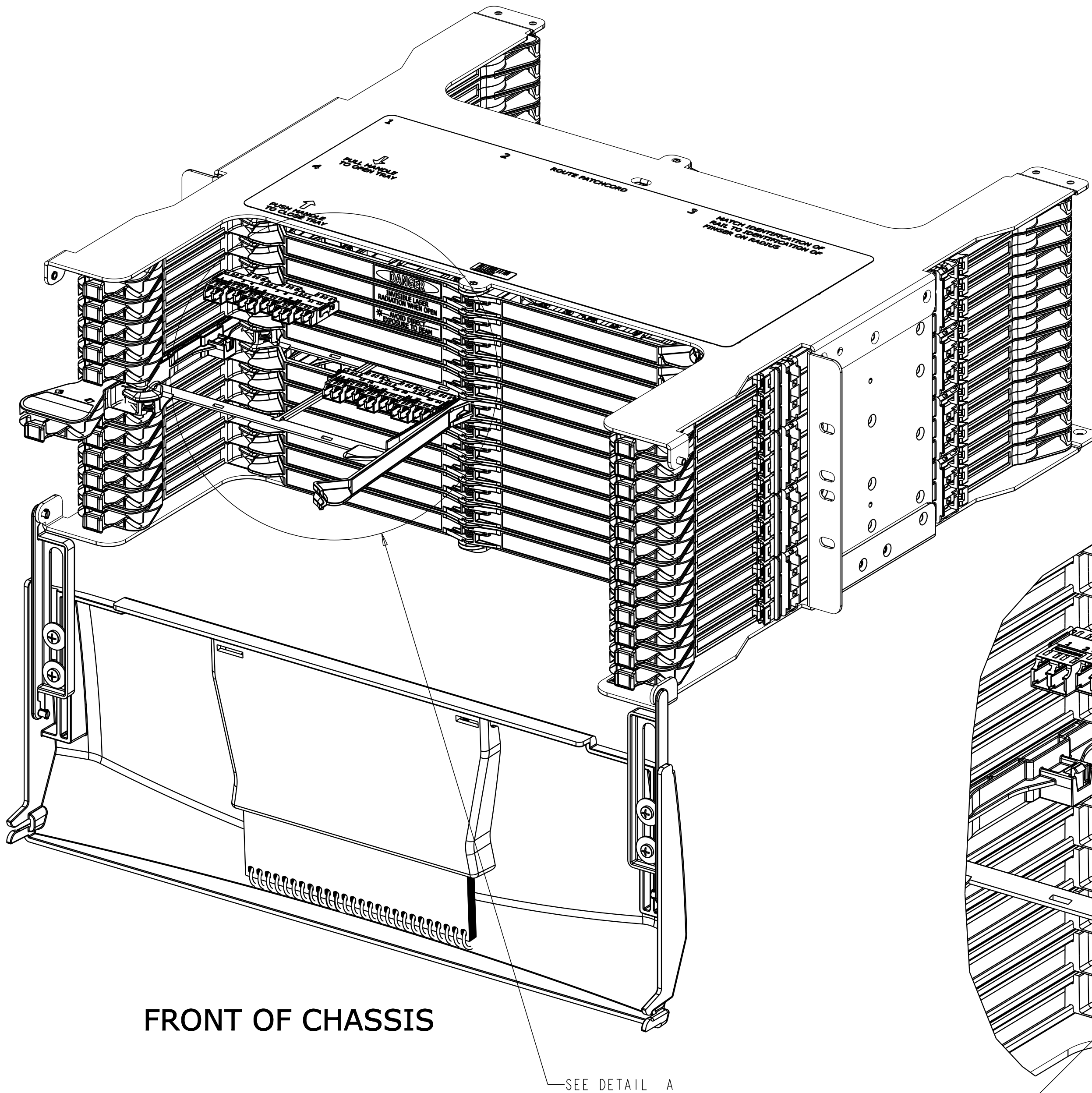


CATALOG NUMBER	ADAPTER STYLE
NG4-CHI00000	NONE
NG4-CHI7L288	SC
NG4-CHIKM576	LC

COMMSCOPE, INC.

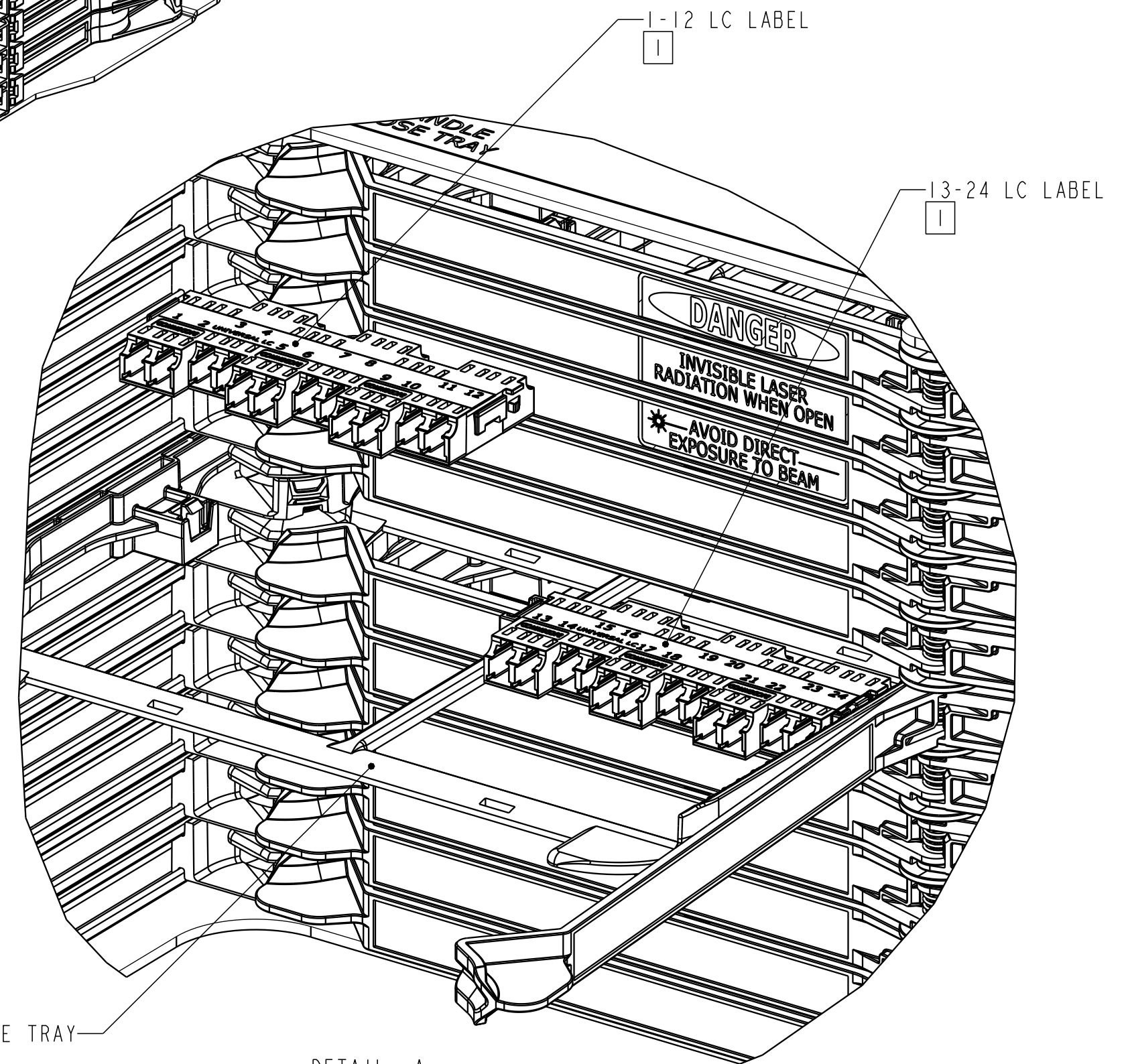
© 2016 COMMSCOPE, INC. CONFIDENTIAL NOTICE: THESE DRAWINGS AND SPECIFICATIONS ARE THE PROPRIETARY PROPERTY OF COMMSCOPE, INC. AND MAY BE USED ONLY FOR THE SPECIFIC PURPOSE AUTHORIZED IN WRITING BY COMMSCOPE, INC.		TITLE INSTALL DRW, NG4 4RU CHASSIS	
ALL DIMS AND TOLERANCES ARE MILLIMETERS UNLESS OTHERWISE SPECIFIED	.XX:±N/A .XXX:±N/A ANGULAR:±N/A	C SIZE	DRAWING NUMBER 300001758557
DO NOT SCALE DRAWING	ENGR: J. SOLHEID DWN: HOLMBERG	F REV	SHT. 1 OF 2

DIMENSIONS IN MILLIMETERS  
THIRD ANGLE PROJECTION



FRONT OF CHASSIS

SEE DETAIL A



SLIDE TRAY

DETAIL A  
LC ADAPTERS SHOWN AS REFERENCE  
SCALE 1.000

NOTES:

1 INSTALL ADAPTERS AS SHOWN ON DETAIL A.

FOR LC ADAPTERS: 1-12 LABELED ADAPTER ON THE LEFT AND 13-24 ON THE RIGHT OF THE SLIDE TRAY.  
REPEAT THIS FOR ALL 24 SLIDE TRAYS.

FOR SC ADAPTERS: 1-6 LABELED ADAPTER ON THE LEFT AND 7-12 ON THE RIGHT OF THE SLIDE TRAY.  
REPEAT THIS FOR ALL 24 SLIDE TRAYS.

COMMSCOPE, INC.

© 2016 COMMSCOPE, INC. CONFIDENTIAL  
NOTICE: THESE DRAWINGS AND SPECIFICATIONS  
ARE THE PROPRIETARY PROPERTY OF  
COMMSCOPE, INC. AND MAY BE USED ONLY FOR THE  
SPECIFIC PURPOSE AUTHORIZED IN WRITING BY  
COMMSCOPE, INC.

TITLE  
INSTALL DRW,  
NG4 4RU CHASSIS

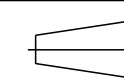
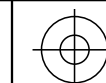
ALL DIMS AND TOLERANCES .XX:±N/A  
ARE MILLIMETERS UNLESS .XXX:±N/A  
OTHERWISE SPECIFIED ANGULAR:±N/A

DRAWING NUMBER  
300001758557

DO NOT SCALE DRAWING

ENGR: J. SOLHEID  
DWN: HOLMBERG

SHT. 2 OF 2



DIMENSIONS IN MILLIMETERS  
THIRD ANGLE PROJECTION