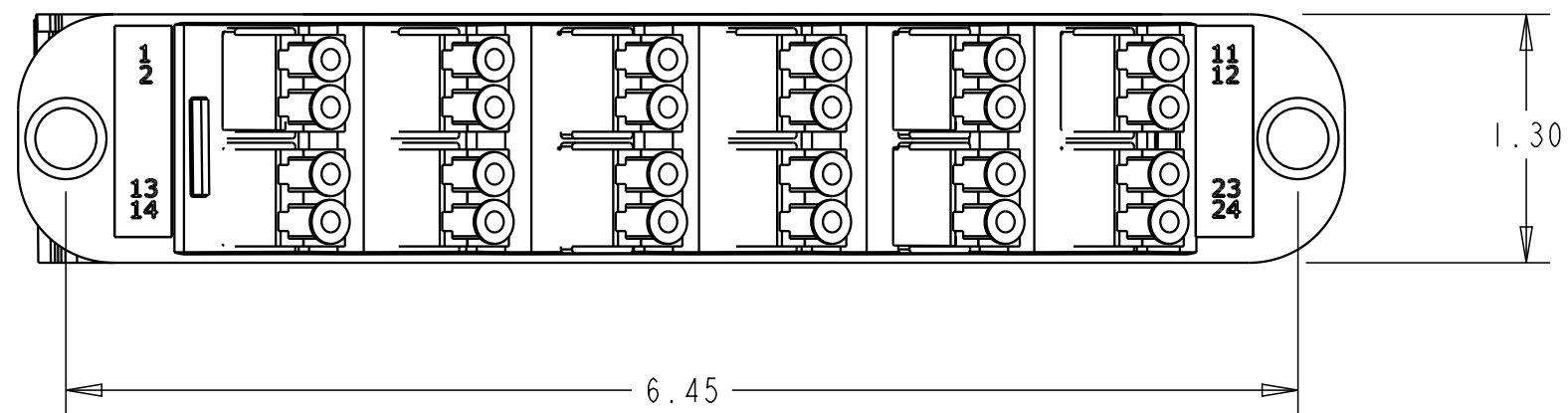
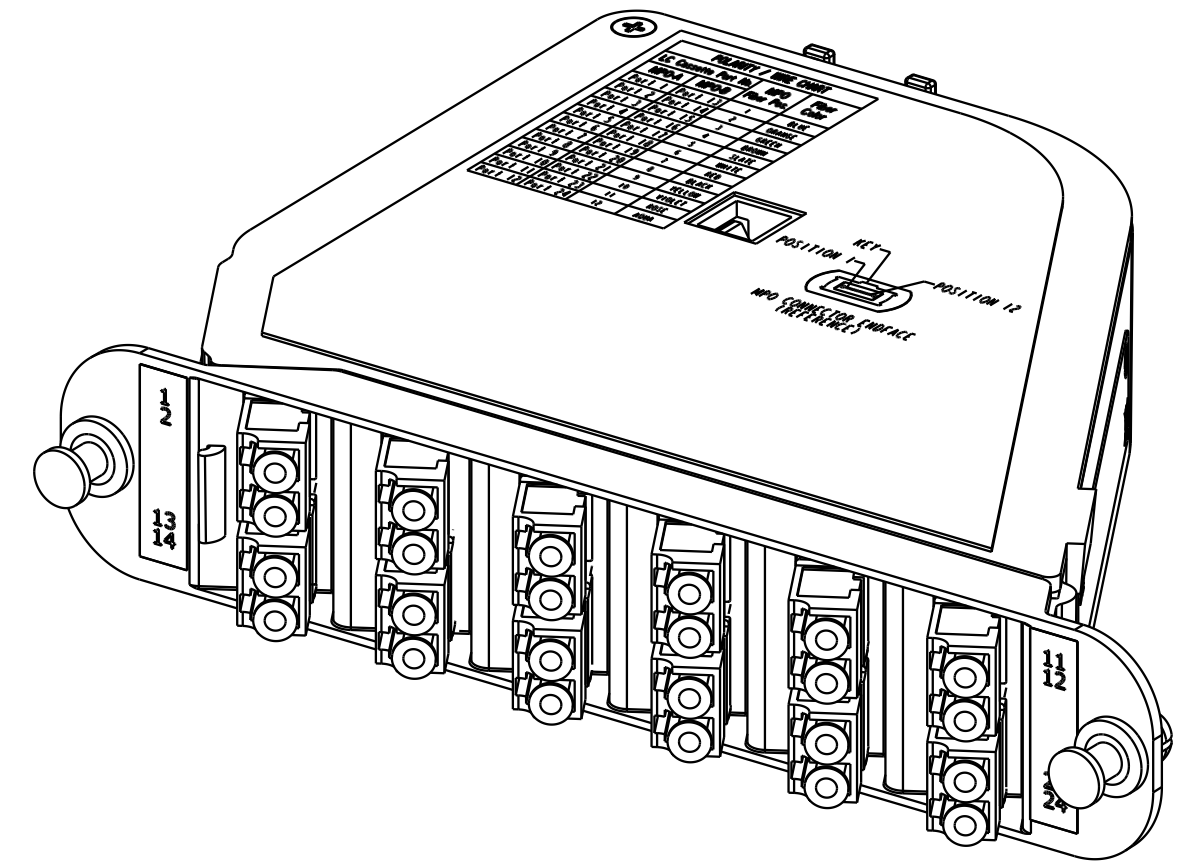
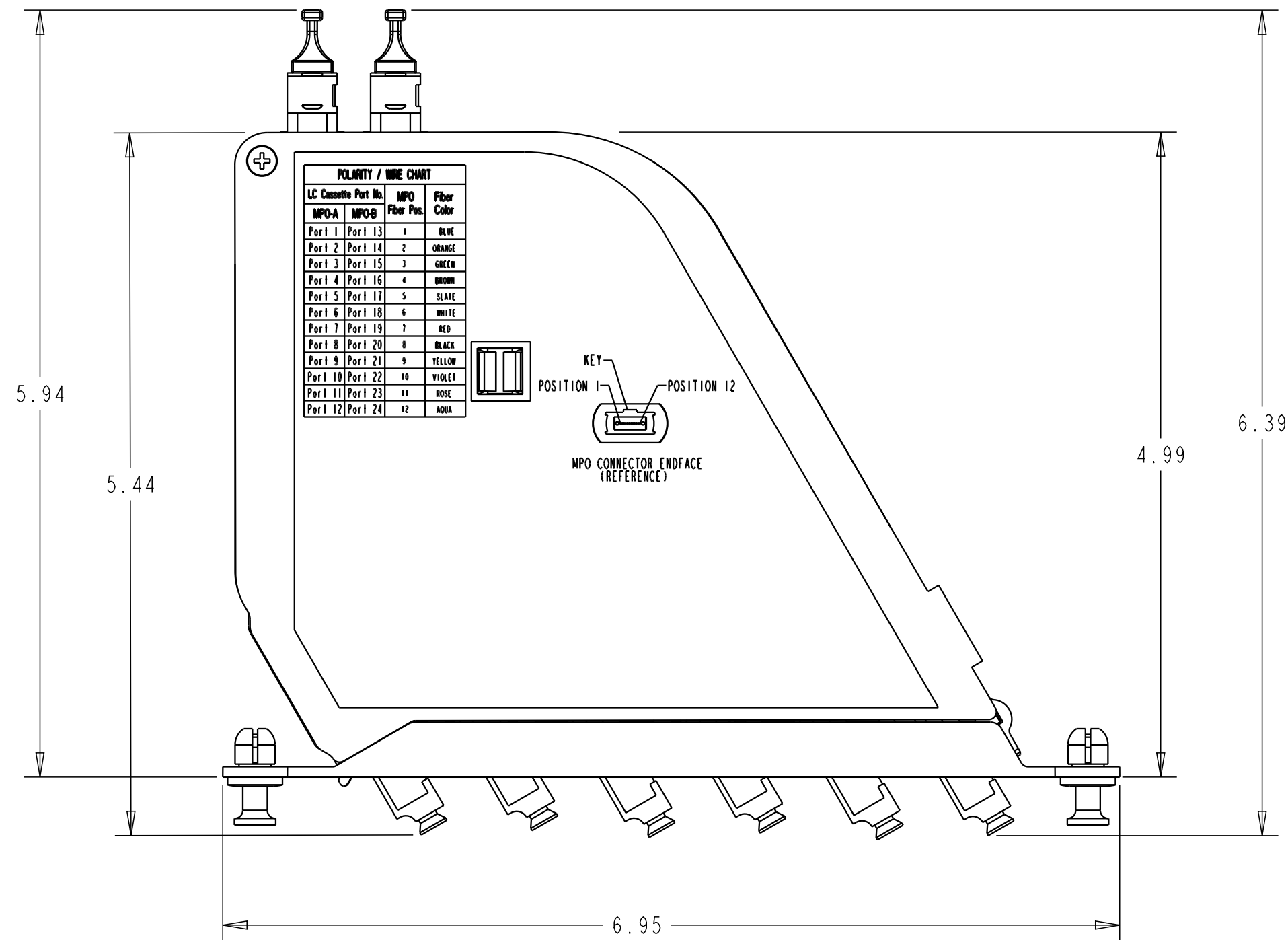


REV	MCO	DWN	DATE
A	40031240MCO	LASR	27-JUN-16



LC RIGHT CASSETTE SHOWN FOR REFERENCE

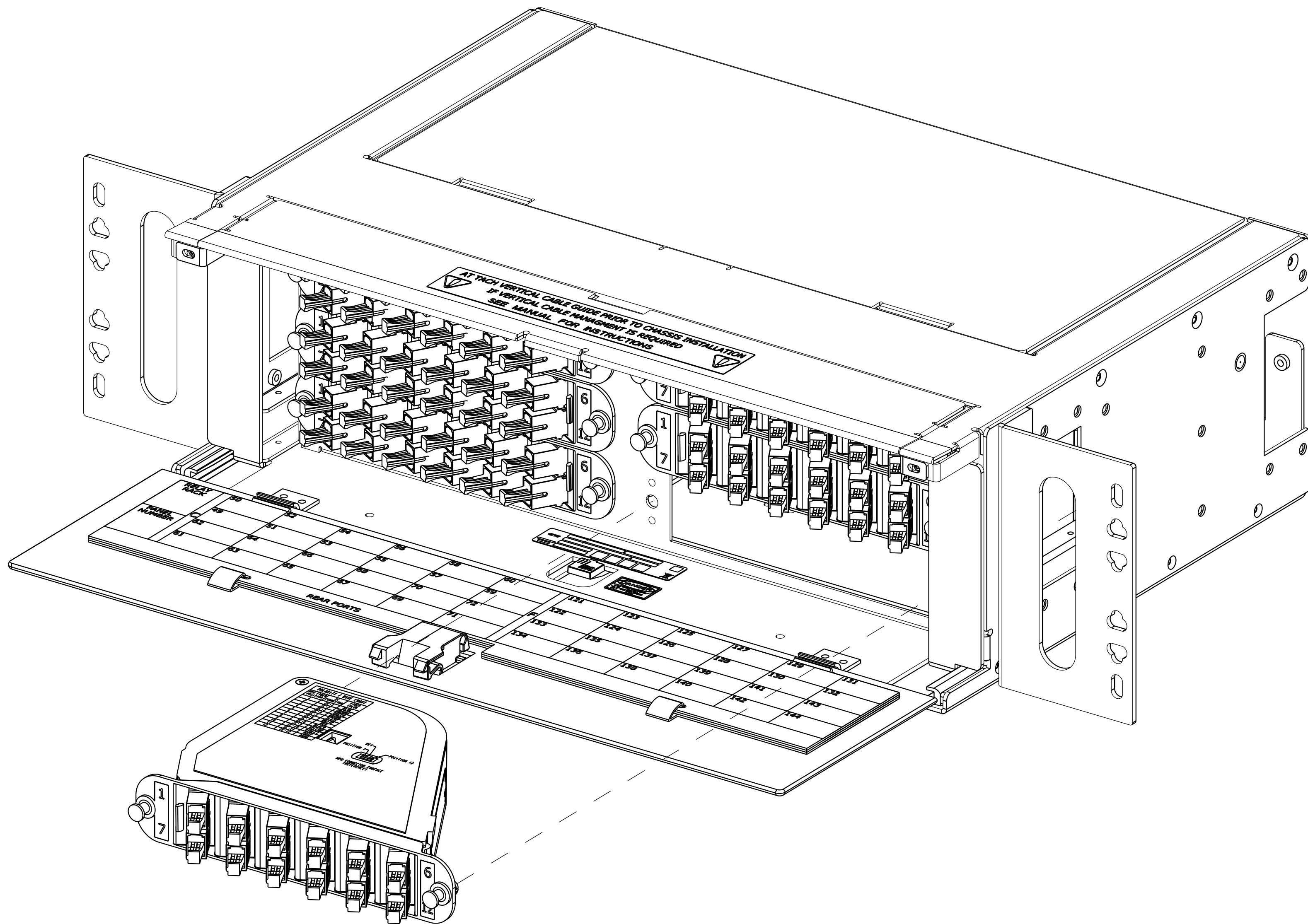
NOTES:

- INSTALL LEFT SIDE MPO CASSETTES WITH ADAPTERS ANGLED TOWARD THE LEFT AND INSTALL RIGHT SIDE MPO CASSETTES WITH ADAPTERS ANGLED TOWARD THE RIGHT.
- NYLATCH PLUNGER FASTENERS MUST BE PULLED OUT BEFORE INSERTING THE MPO CASSETTE INTO MOUNTING HOLES IN PANEL.
- AFTER INSTALLING MPO CASSETTE, PUSH NYLATCH PLUNGER FASTENERS "IN" TO LOCK CASSETTE INTO PANEL.

COMMSCOPE, INC.

© 2016 COMMSCOPE, INC. CONFIDENTIAL NOTICE: THESE DRAWINGS AND SPECIFICATIONS ARE THE PROPRIETARY PROPERTY OF COMMSCOPE, INC. AND MAY BE USED ONLY FOR THE SPECIFIC PURPOSE AUTHORIZED IN WRITING BY COMMSCOPE, INC.		TITLE FPX INST DWG, MPO CASSETTE	
ALL DIMS AND TOLERANCES ARE INCHES UNLESS OTHERWISE SPECIFIED	.XX:±N/A .XXX:±N/A ANGULAR:±N/A	C SIZE	DRAWING NUMBER 300100117782
DO NOT SCALE DRAWING		ENGR: LUIS MIGUEL RENTERIA DWN: ASAHIEL SALCEDO	A REV SHT. 1 OF 2

DIMENSIONS IN INCHES
THIRD ANGLE PROJECTION



3RU PANEL AND SC CASSETTE SHOWN FOR REFERENCE

COMMSCOPE, INC.

<small>© 2016 COMMSCOPE, INC. CONFIDENTIAL NOTICE: THESE DRAWINGS AND SPECIFICATIONS ARE THE PROPRIETARY PROPERTY OF COMMSCOPE, INC. AND MAY BE USED ONLY FOR THE SPECIFIC PURPOSE AUTHORIZED IN WRITING BY COMMSCOPE, INC.</small>		TITLE FPX INST DWG, MPO CASSETTE	
<small>ALL DIMS AND TOLERANCES .XX:±N/A ARE INCHES UNLESS .XXX:±N/A OTHERWISE SPECIFIED ANGULAR:±N/A</small>		C SIZE	DRAWING NUMBER 300100117782
DO NOT SCALE DRAWING		ENGR: LUIS MIGUEL RENTERIA DWN: ASAHIEL SALCEDO	SHT. 2 OF 2 A REV



**DIMENSIONS IN INCHES
 THIRD ANGLE PROJECTION**