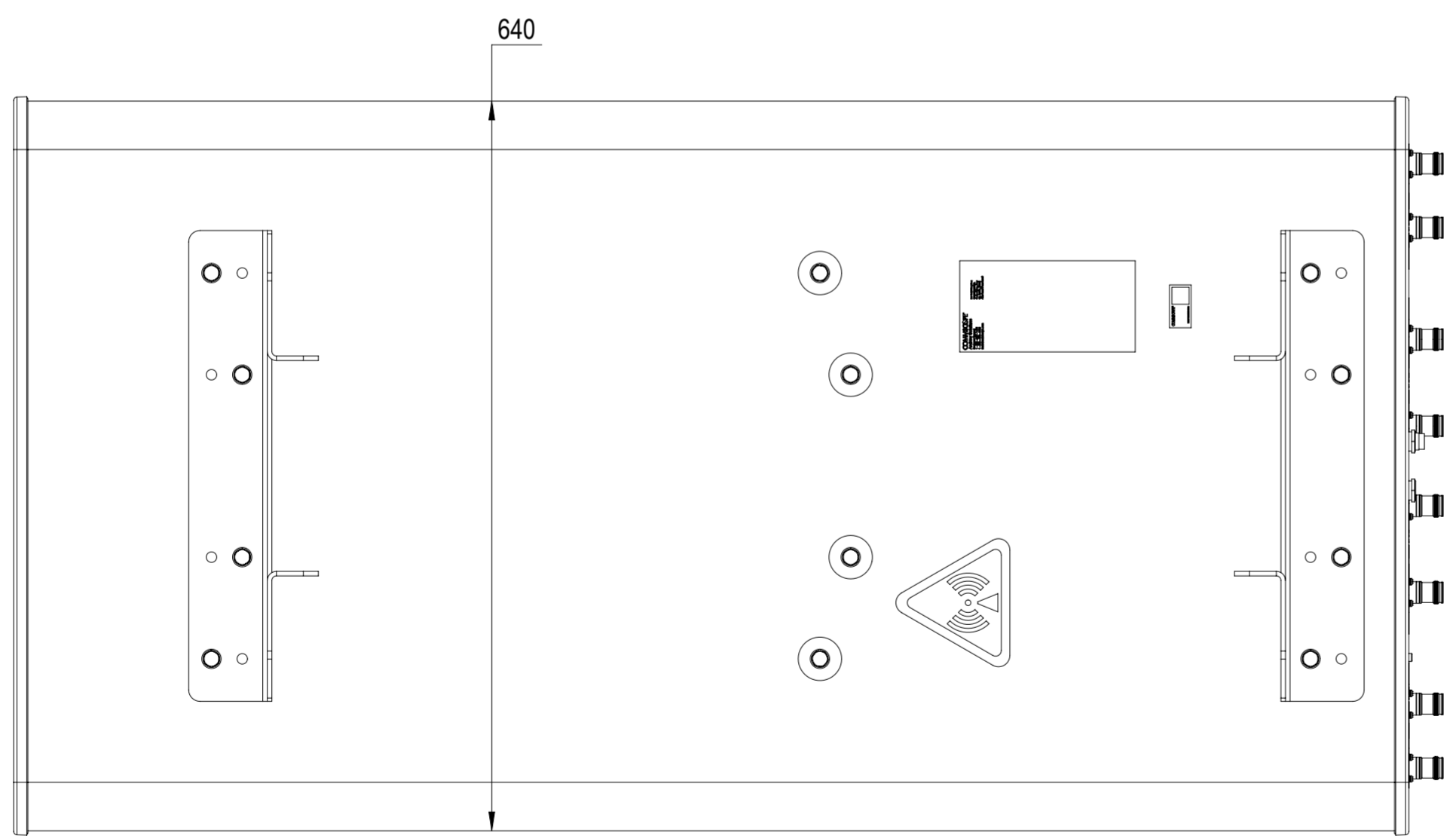
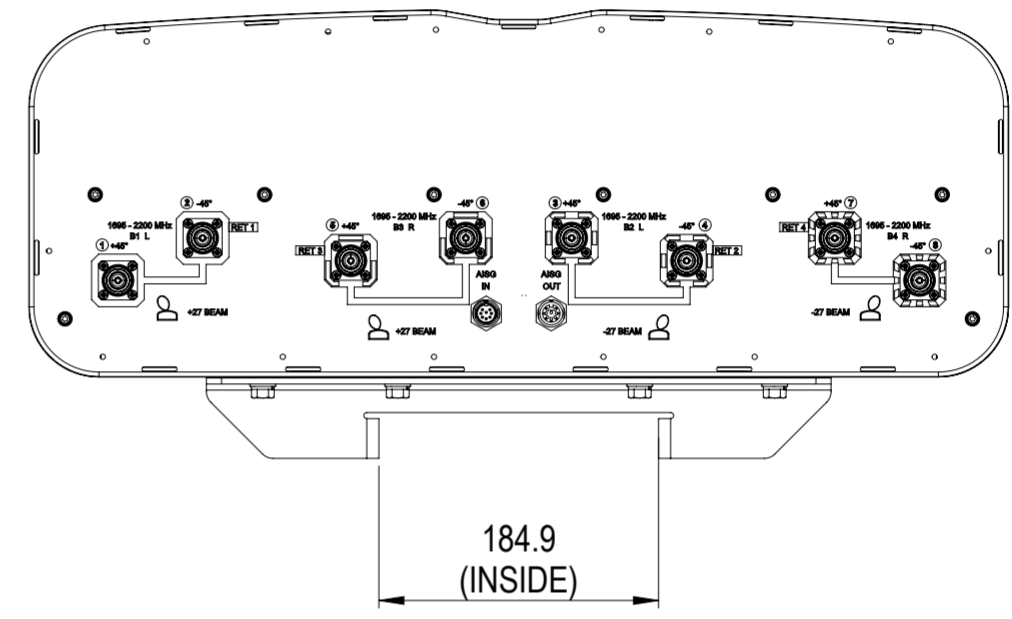
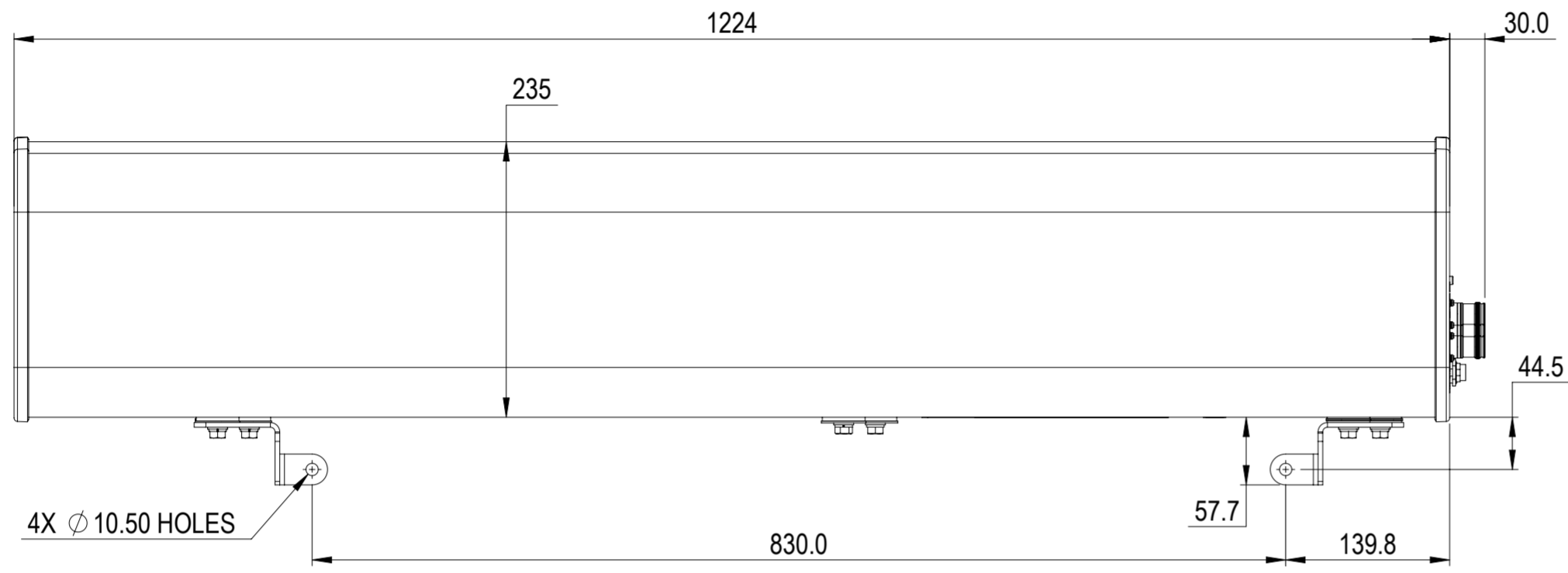


REVISIONS			
REV.	DESCRIPTION	DATE	APPROVED
A	ECR 8000028023: REL TO PRODUCTION PER EAO 604850.	01MAR18 NK	HW / LCL



2HH-38A-R4-V2

COMMSCOPE, INC. OF NORTH CAROLINA

TOLERANCES		SAP MATERIAL MASTER					
0 PLACE	X ±	2 PLACE	.XX ±				
1 PLACE	.X ±	ANGLES	±				
FINISH		MATERIAL					
UNLESS OTHERWISE SPECIFIED DIMENSIONS ARE IN MILLIMETERS INTERPRET PER ISO STANDARDS HANDBOOK TECHNICAL DRAWINGS VOLUMES 1 & 2, THIRD EDITION (2002)		NAME	DATE				
		CE NK	01MAR18				
		RW XK1001	03/06/2018				
		RV WH1035	03/07/2018				
		AD CL1042	03/08/2018				
RE BYUAN	03/08/2018	TITLE					
ECN 8000028023-O		PRODUCT DRAWING					
SCALE		DOCUMENT NO.					
1:5		2HH-38A-R4-V2-L					
SIZE	WORK AREA	23	MODEL				
A2		DRAWING					
		VERSION	STATUS	REVISION	VERSION	STATUS	REVISION
00	RE	A	00	RE	A	SHEET	
						1 OF 1	

DENSITY	g/mm ³
MASS	grams
VOLUME	mm ³
SURFACE AREA	mm ²
HEIGHT	
LENGTH	
WIDTH	