

4

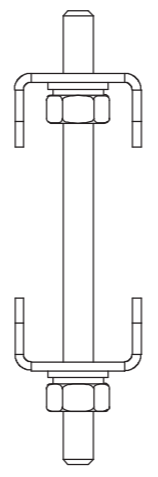
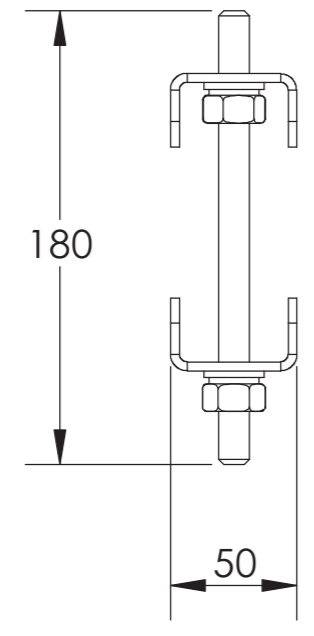
3

2

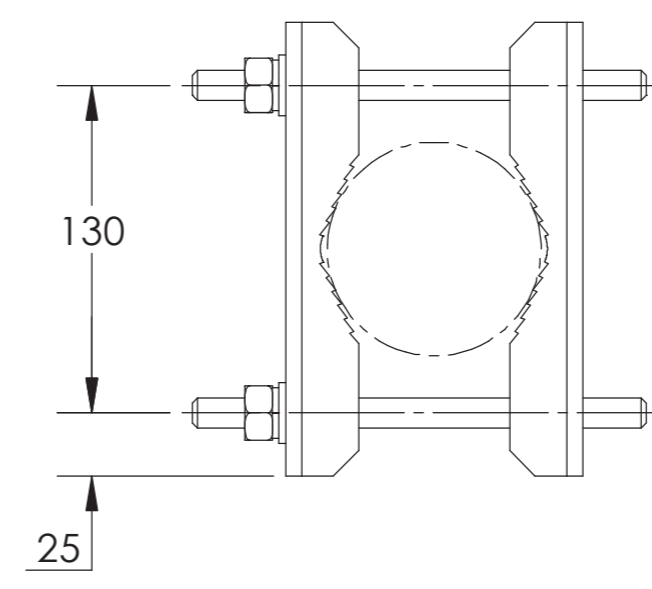
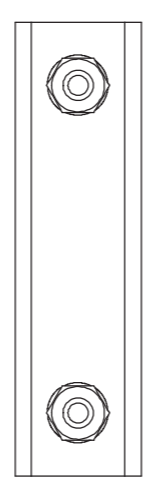
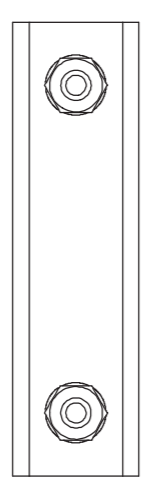
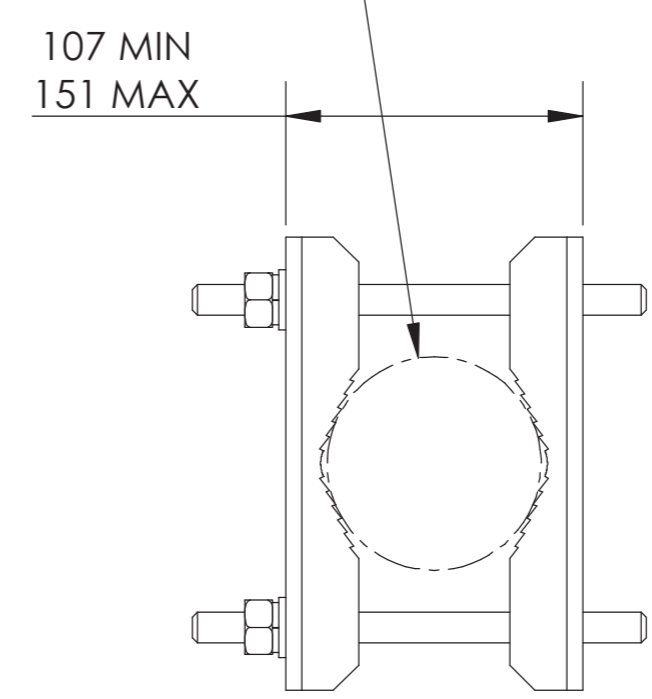
1

NOTES:

REVISIONS			
REV	DESCRIPTION	DATE	APPROVED
A	ECR 800003574: REL TO PRODUCTION PER EAO 601665	18SEP14 JJH	MB XA
B	ECR 8000010306: ADD DIMENSIONS.	22OCT15 RY	S.LIU/JIHE



POLE DIAMETER: 75 ~ 115 mm



F-122-GL

MATERIAL N/A	DENSITY: N/A	UNLESS OTHERWISE SPECIFIED DIMENSIONS ARE IN MILLIMETERS INTERPRET PER ISO STANDARDS HANDBOOK TECHNICAL DRAWINGS VOLUMES 1 & 2, THIRD EDITION (2002)	WESTCHESTER, IL. 60154 U.S.A.								
	MASS: 2.50 kg										
FINISH N/A	TOLERANCES		THIRD ANGLE PROJECTION								
	0 PLACE X ±		MOUNTING KIT FIXED								
	1 PLACE .X ±										
2 PLACE .XX ±	<table border="1"> <tr> <td>DRAWN BY JJH</td> <td>18SEP14</td> <td>SIZE</td> <td>CAGE CODE</td> <td>DOCUMENT NO.</td> </tr> <tr> <td>ECN 8000010306-O</td> <td></td> <td>A2 84147</td> <td></td> <td>F-122-GL-L</td> </tr> </table>	DRAWN BY JJH	18SEP14	SIZE	CAGE CODE	DOCUMENT NO.	ECN 8000010306-O		A2 84147		F-122-GL-L
DRAWN BY JJH	18SEP14	SIZE	CAGE CODE	DOCUMENT NO.							
ECN 8000010306-O		A2 84147		F-122-GL-L							
ANGLES ±	ALL SURFACES ✓	AUTH. GROUP 23	MODEL	DRAWING							
NOTICE: These drawings and specifications are the proprietary property of ANDREW CORPORATION and may be used only for the specific purpose authorized in writing by Andrew.			VERSION	STATUS	REVISION	VERSION	STATUS	REVISION	SHEET		
			01	RE	B	01	RE	B	1 OF 1		

4

3

2

1