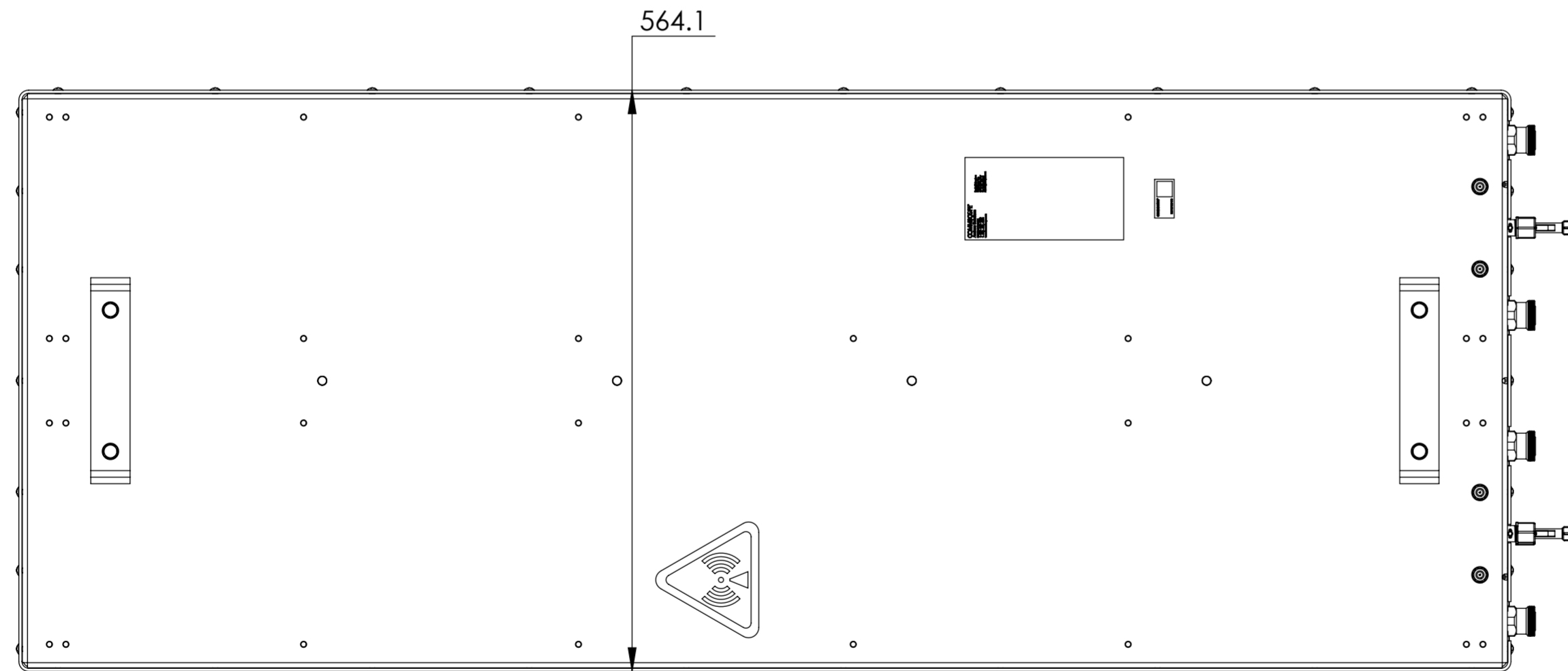
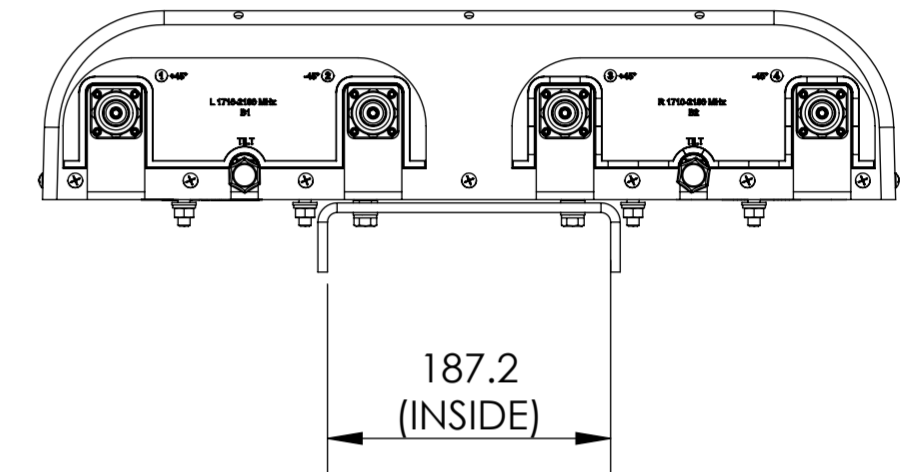
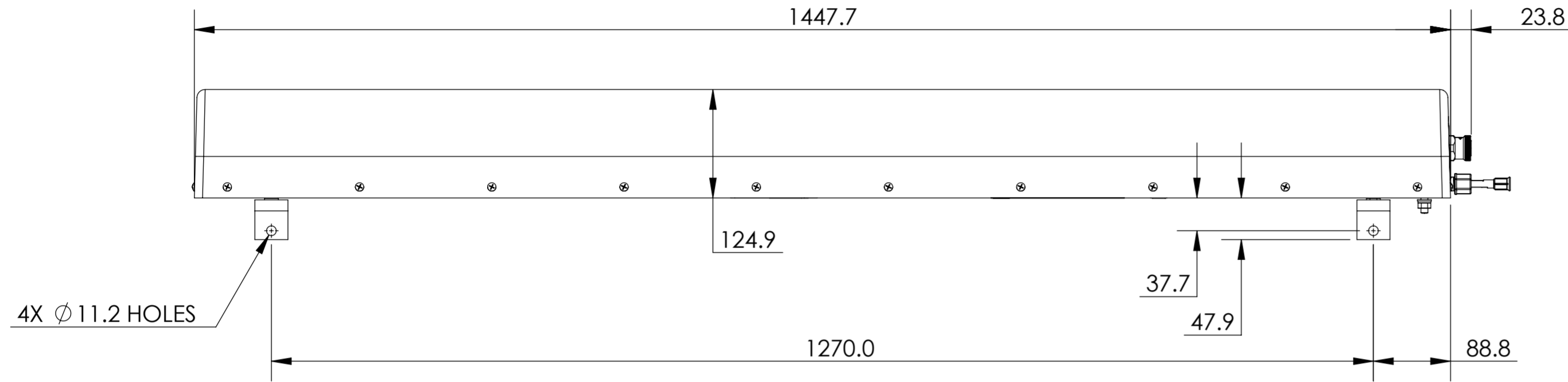


NOTES:

REVISIONS			
REV	DESCRIPTION	DATE	APPROVED
A	ECR 5089282: REL TO PRODUCTION.	13AUG09 XH	S.LIU/GUXU
E	ECR 800000616: UPDATE DRAWING.	5/6/13 J.H	S.LIU/JIHE
F	ECR 800005999: ADD DXF FILE.	27OCT14 ZW	S.LIU/JIHE
G	ECR 8000013337: UPDATE DRAWING WITH LATEST MODEL.	28APR16 RY	S.LIU/JIHE
H	ECR 8000028449: DEL ANTENNA ADFD1820-3333B-XDM, ADFD1820-33B-A2M, ADFD1820-33B-R1DM, ADFD1820-33B-R2DM, ADFD1820-33B-E1M, ADFD1820-33B-A1M & ADFD1820-33B-R1M.	22FEB18 LS	S.LIU/JIHE



HBXX-3319DS-VTM

MATERIAL N/A	DENSITY:	UNLESS OTHERWISE SPECIFIED DIMENSIONS ARE IN MILLIMETERS INTERPRET PER ISO STANDARDS HANDBOOK TECHNICAL DRAWINGS VOLUMES 1 & 2, THIRD EDITION (2002)	WESTCHESTER, IL. 60154 U.S.A.						
	MASS:								
FINISH N/A	TOLERANCES		THIRD ANGLE PROJECTION						
	0 PLACE X ±			PRODUCT DRAWING					
	1 PLACE .X ±								
	2 PLACE .XX ±	DRAWN BY XH 13AUG09 ECN 8000028449-O	SIZE A2 CAGE CODE 84147	DOCUMENT NO. HBXX-3319DS-VTM-L					
ANGLES ±	ALL SURFACES ✓	AUTH. GROUP 23	MODEL	DRAWING					
NOTICE: These drawings and specifications are the proprietary property of ANDREW CORPORATION and may be used only for the specific purpose authorized in writing by Andrew.			VERSION 00	STATUS RE	REVISION A	VERSION 07	STATUS RE	REVISION H	SHEET 1 OF 2

4

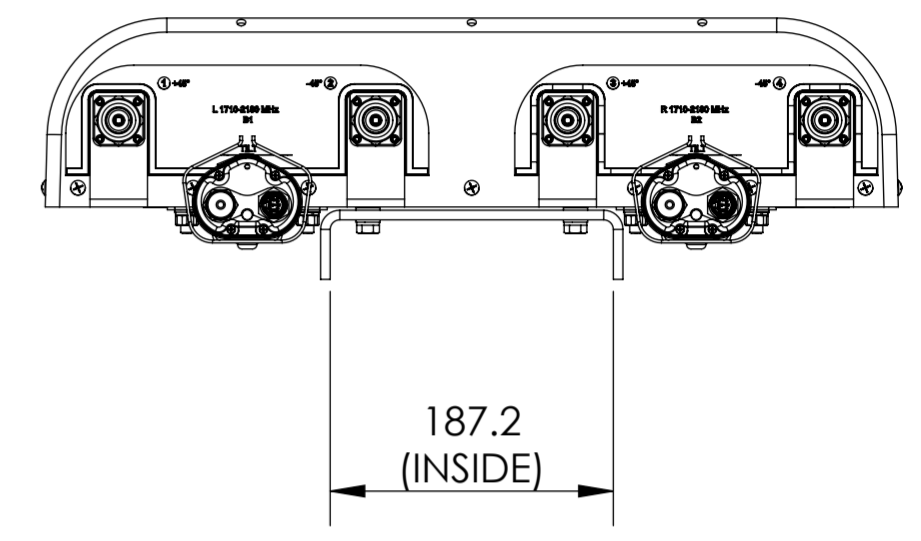
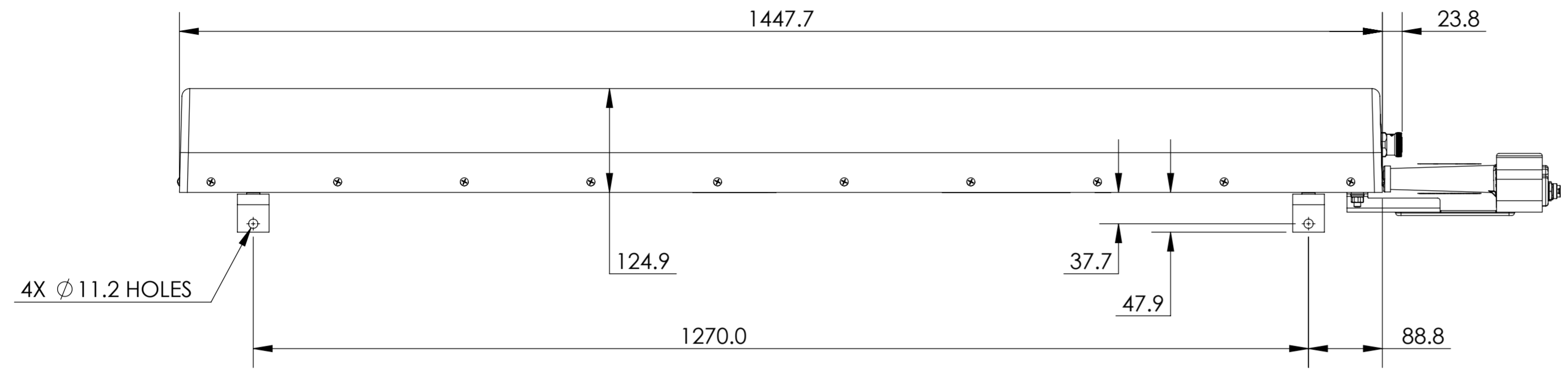
3

2

1

D

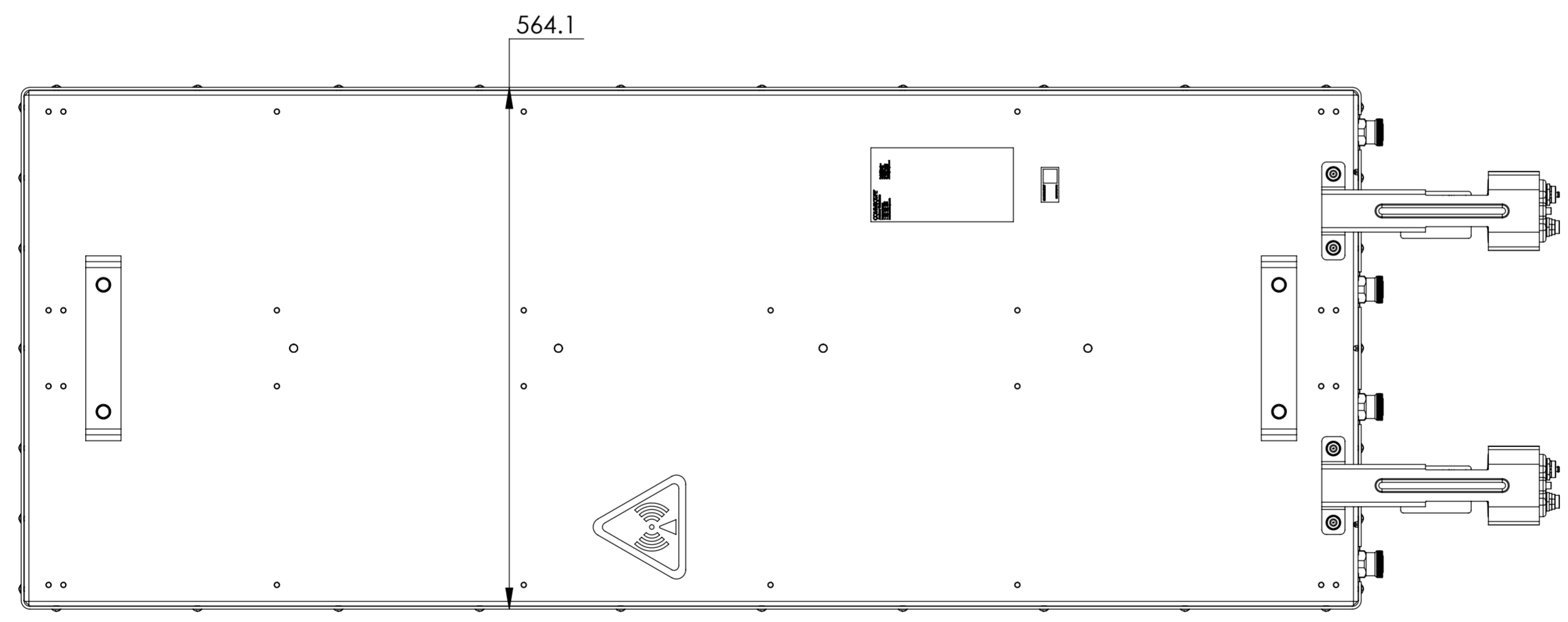
D



C

C

THIRD ANGLE PROJECTION



HBXX-3319DS-R2M
HBXX-3319DS-A2M

B

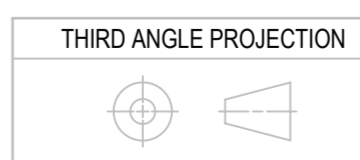
B

A

A

ANDREW® WESTCHESTER, IL. 60154
U.S.A.

PRODUCT DRAWING



SIZE	CAGE CODE	DOCUMENT NO.
A2	84147	HBXX-3319DS-VTM-L

NOTICE: These drawings and specifications are the proprietary property of ANDREW CORPORATION and may be used only for the specific purpose authorized in writing by Andrew.	VERSION	STATUS	REVISION	SHEET
	07	RE	H	2 OF 2

4

3

2

1

THIRD ANGLE PROJECTION