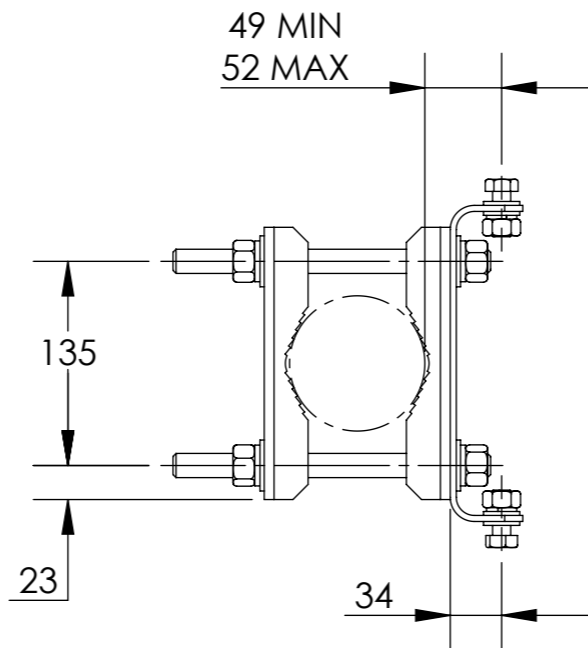
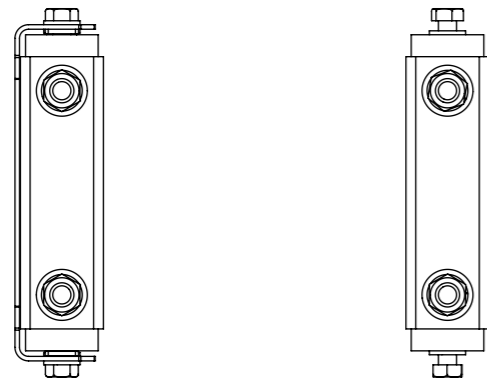
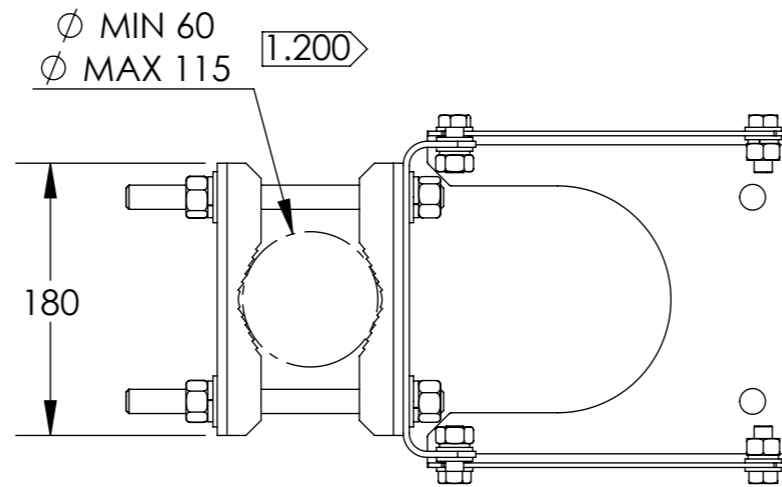
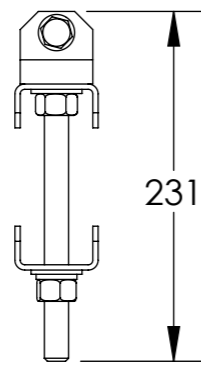
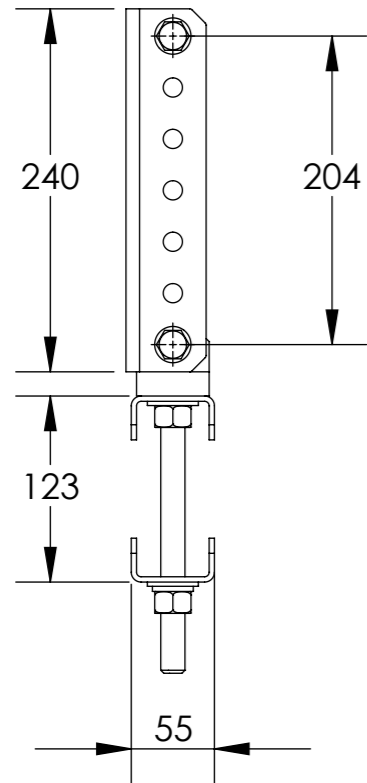


NOTES:

1.0 GENERAL NOTES

1.200 MIN. AND MAX. PIPE DIAMETERS ONLY REFER TO CAPABLE PIPE SIZE OF THE MOUNTING KIT.
 THE RECOMMENDED PIPE DIAMETER VARIES FOR DIFFERENT ANTENNA LENGTH AND IS PROVIDED IN ANTENNA INSTALLATION MANUAL.

| REVISIONS | | | |
|-----------|--|------------|----------------|
| REV. | DESCRIPTION | DATE | APPROVED |
| A | ECR 800006784: REL TO PRODUCTION. | 04FEB15 ZW | JO/XA |
| B | ECR 8000010306: ADD DIMENSIONS. | 10OCT15 RY | S.LIU/JIHE |
| C | ECR 8000035097: CHG MIN PIPE SIZE FROM 50 mm TO 60 mm; ADD NOTE 1.200. | 07MAY19 ZW | S.LIU/HANSEN.W |



T-041-GL-E

COMMSCOPE, INC. OF NORTH CAROLINA

| | | |
|---------------|-------------------|---------------------|
| DENSITY: | <u>TOLERANCES</u> | SAP MATERIAL MASTER |
| MASS: 6.2 kg | 0 PLACE X ± | |
| VOLUME: | 1 PLACE .X ± | |
| SURFACE AREA: | 2 PLACE .XX ± | |
| | ANGLES ± | |

| | |
|--------|----------|
| FINISH | MATERIAL |
| N/A | N/A |

| | | | |
|--|----------------|------------------|---|
| UNLESS OTHERWISE SPECIFIED DIMENSIONS ARE IN MILLIMETERS INTERPRET PER ISO STANDARDS HANDBOOK, TECHNICAL DRAWINGS, VOLUMES 1 & 2, THIRD EDITION (2002) | NAME | DATE | TITLE |
| | CE ZW | 04FEB15 | 12 DEG HEAVY DUTY DOWNTILT MOUNTING KIT |
| | RW WZ1012 | 05/07/2019 | |
| | RV CHALIU | 05/07/2019 | |
| | AD HW8003 | 05/08/2019 | |
| | RE ZHHCHEN | 05/08/2019 | |
| ECN 8000035097-O | SIZE A3 | SCALE 1:5 | DOCUMENT NO. T-041-GL-E-L |

© 2015 CommScope, Inc.
 NOTICE: These drawings and specifications are the proprietary property of COMMSCOPE, INC. and may be used only for the specific purpose authorized in writing by COMMSCOPE, INC.

| | | | | | | | | | |
|--------|--------------|--------------|---------|--------|----------|---------|--------|----------|-----------------|
| HEIGHT | ALL SURFACES | WORK AREA 23 | MODEL | | | DRAWING | | | SHEET 1 OF 1 |
| LENGTH | ✓ | | VERSION | STATUS | REVISION | VERSION | STATUS | REVISION | |
| WIDTH | | | 00 | RE | A | 02 | RE | C | |