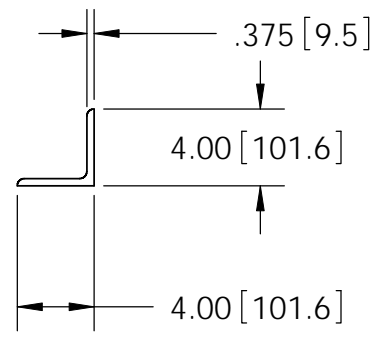
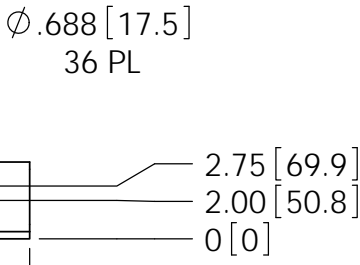
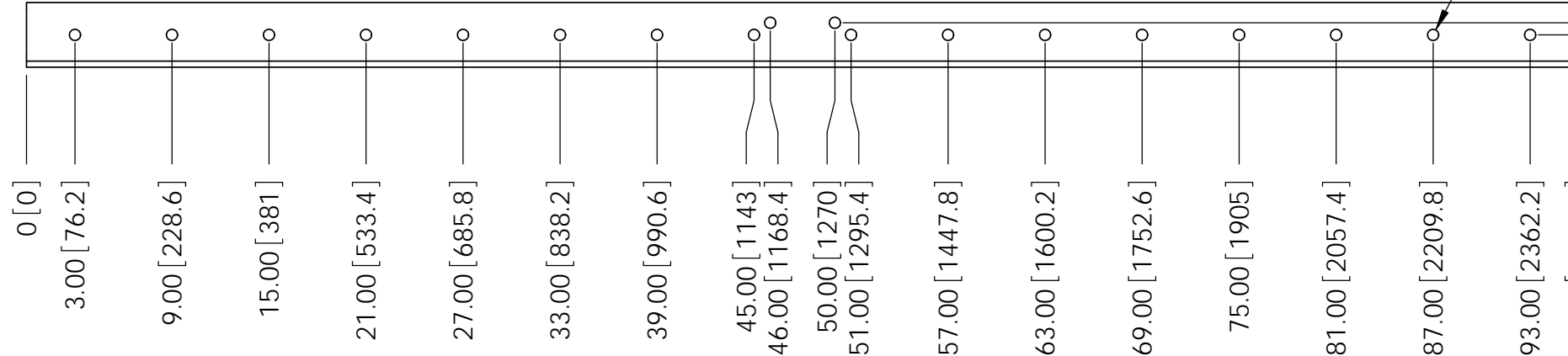
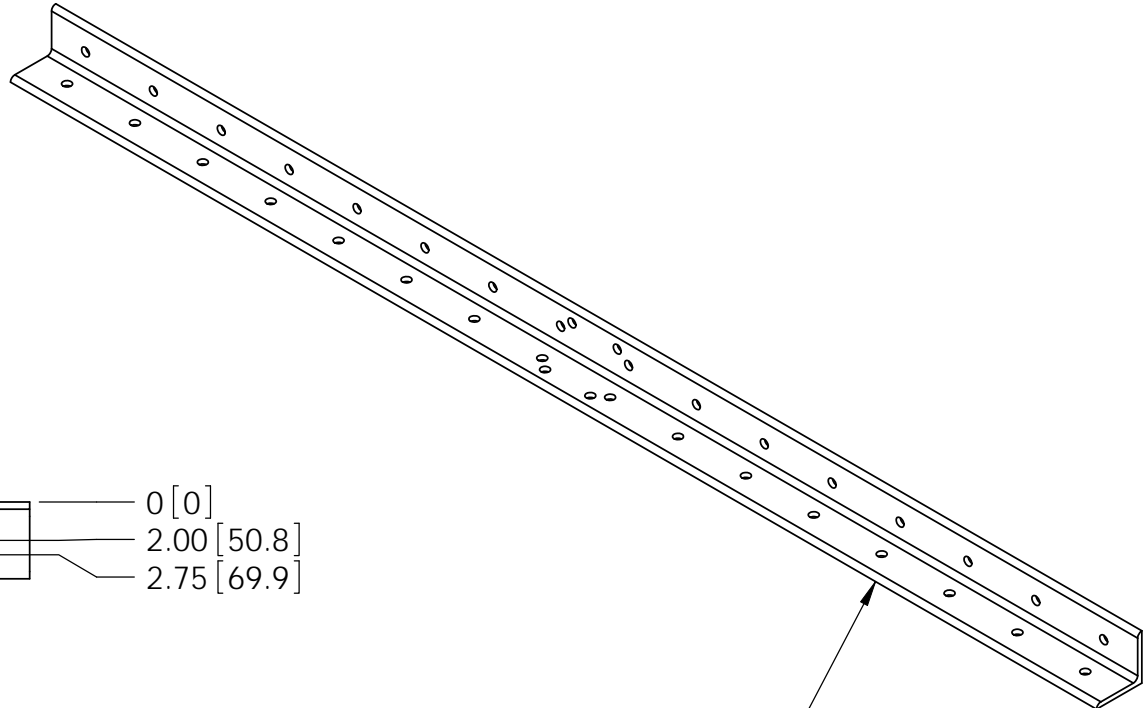
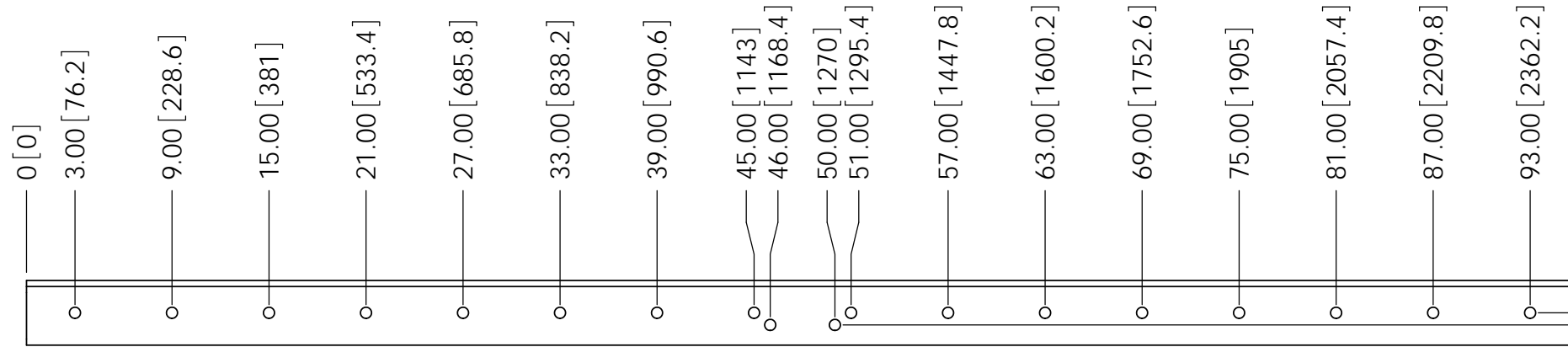



REVISIONS				
REV.	ZONE	DESCRIPTION	BY	DATE
A		INITIAL RELEASE	MSM	10/16/09
B		UPDATE MATERIAL	MSM	04/20/10
C		ADDED 4X .688 HOLES	DRR	09/26/12



NOTES:
 1. ALL METRIC DIMENSIONS ARE IN BRACKETS.
 2. STAMP PART IDENTIFICATION NUMBER.

These drawings and specifications are the proprietary property of ANDREW CORPORATION and may be used only for the specific purpose authorized in writing by Andrew Corporation. ALL DIMENSIONS ARE IN INCHES U.O.S. TOLERANCES UNLESS OTHERWISE SPECIFIED: .X = ± .06 ANGLES ±2° .XX = ± .03 FRACTIONS ±1/32 .XXX = ± .010 REMOVE BURRS AND BREAK EDGES .005 DO NOT SCALE THIS PRINT	DRAWN BY: MSM	SHEET: 1 of 1	PART NUMBER: MD-CSA8
	CHECKED BY: TP	SCALE: NTS	DESCRIPTION: MD-CS 8' Angle
	DATE: 10/16/09	MATERIAL: A529	DRAWING TYPE: SHOP DRAWING
	REVISION: C	FINISH: GALV A123	 WESTCHESTER, IL. 60154 U.S.A.
	WEIGHT: 75.12 LBS		