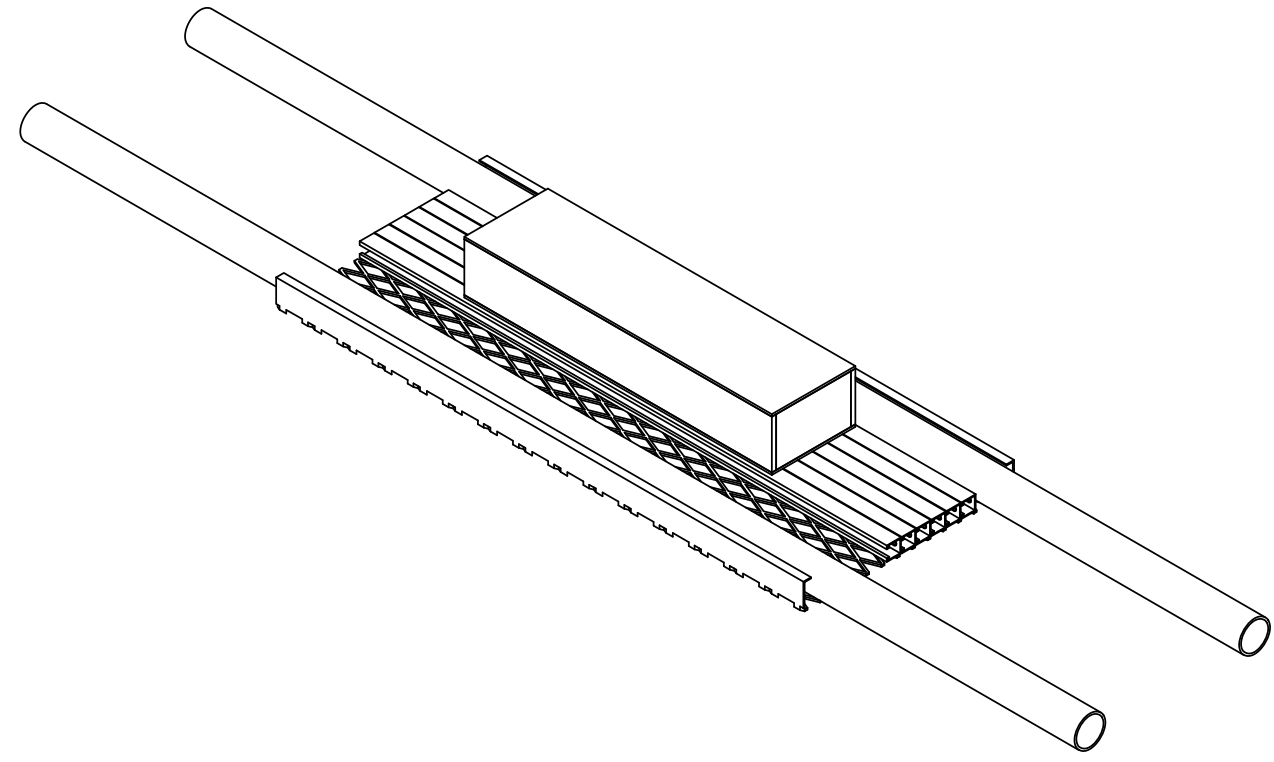


NOTES: 1.0 CUSTOMER ASSEMBLY SHEETS 2-4.

REVISIONS				
REV.	ECN	DESCRIPTION	BY	DATE
A		INITIAL RELEASE	MSM	03/08/16
B	8000012889	ADD SHIPPING SHEET	MSM	03/09/16

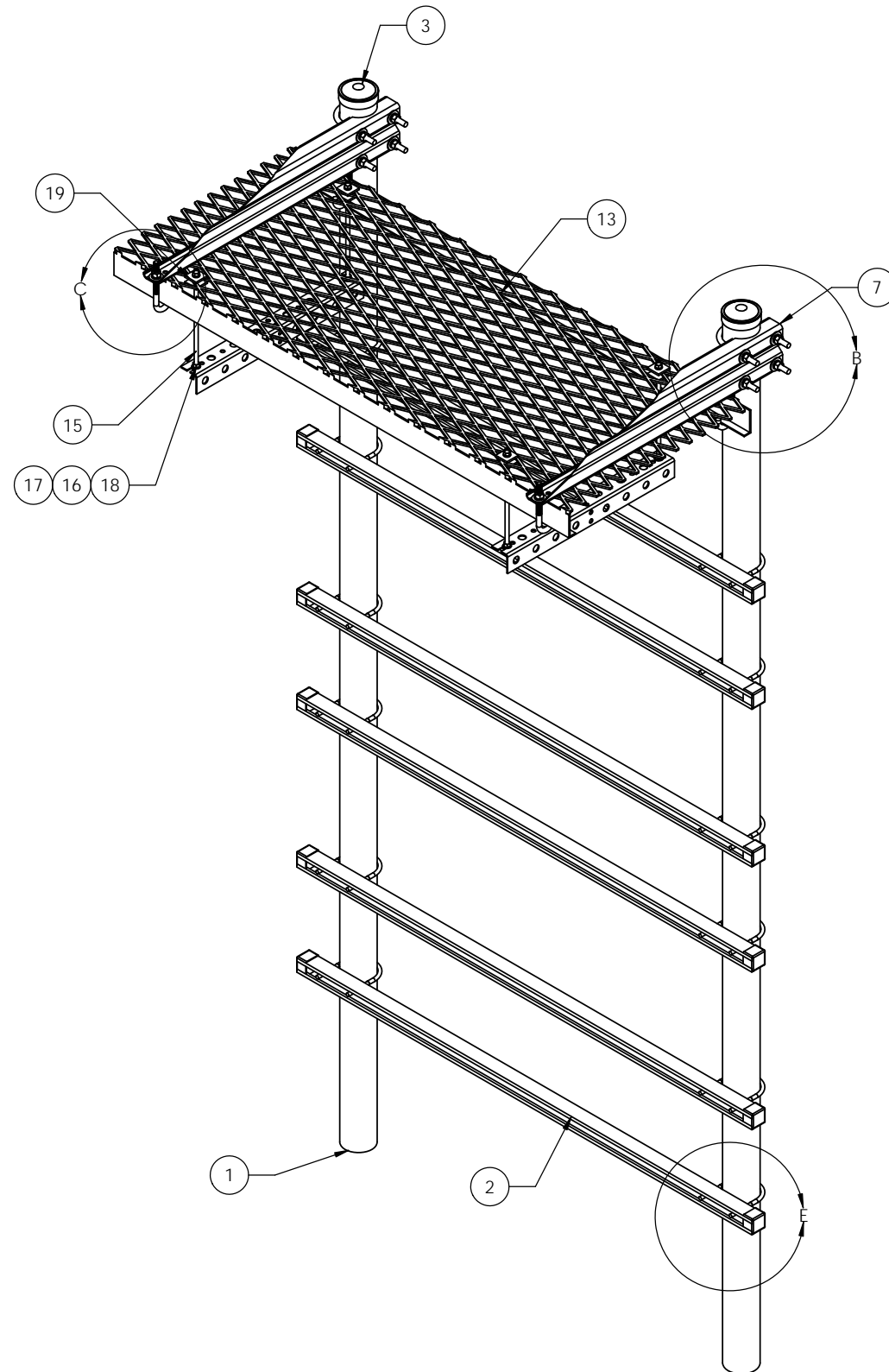


ITEM	PART NO.	DESCRIPTION	QTY.	WEIGHT	NOTE NO.
1	MTC9232.05	SAFETY GRATING 24" X 5'	1	55.50 LBS	
2	MT-547-120	Ø3.5" O.D. X 120" PIPE	2	75.36 LBS	
3	MT50460	SQ. SUPPORT RAIL 60" LONG	6	9.27 LBS	
4	RRHFBP5HK	HARDWARE KIT FOR RR-HFBP5	1	40.22 LBS	

COMMSCOPE, INC. OF NORTH CAROLINA

TOLERANCES		SAP MATERIAL MASTER	
0 PLACE X ± .25	2 PLACE .XX ± .03	RR-HFBP5	
1 PLACE X ± .06	ANGLES ± 2°		
FINISH		MATERIAL	
GALV A123		A36, A500	
UNLESS OTHERWISE SPECIFIED, DIMENSIONS ARE IN MILLIMETERS INTERPRET PER ISO STANDARDS HANDBOOK, TECHNICAL DRAWINGS, VOLUMES 1 & 2, THIRD EDITION (2002)		NAME	DATE
CE	MSM	03/09/16	TITLE
RV			Embedded H-Frame 60"
AD			
RE	TP	03/09/16	SCALE
ECN	8000012889		DOCUMENT NO.
			1:10 RR-HFBP5
HEIGHT		SIZE	WORK AREA
LENGTH		C	MODEL
WIDTH			DRAWING
		VERSION	STATUS
		REVISION	VERSION
			STATUS
			REVISION
			B
			SHEET
			1 OF 4

NOTES: 1.0 ALL METRIC DIMENSIONS ARE IN BRACKETS.]

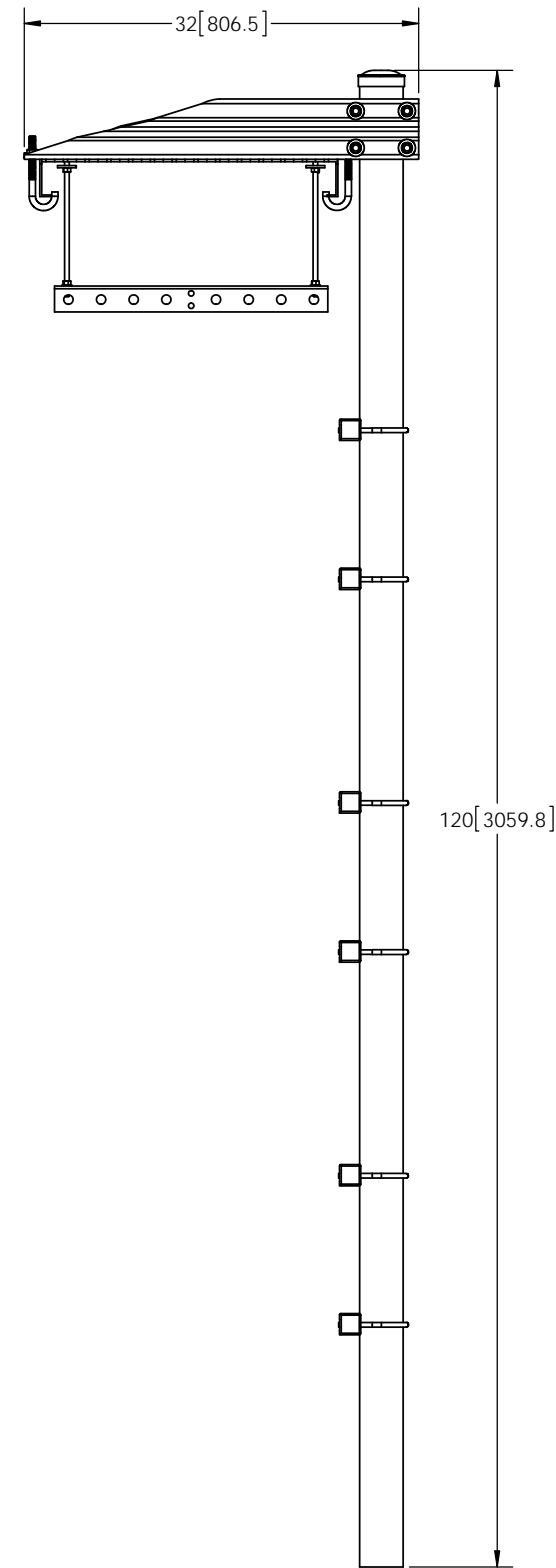
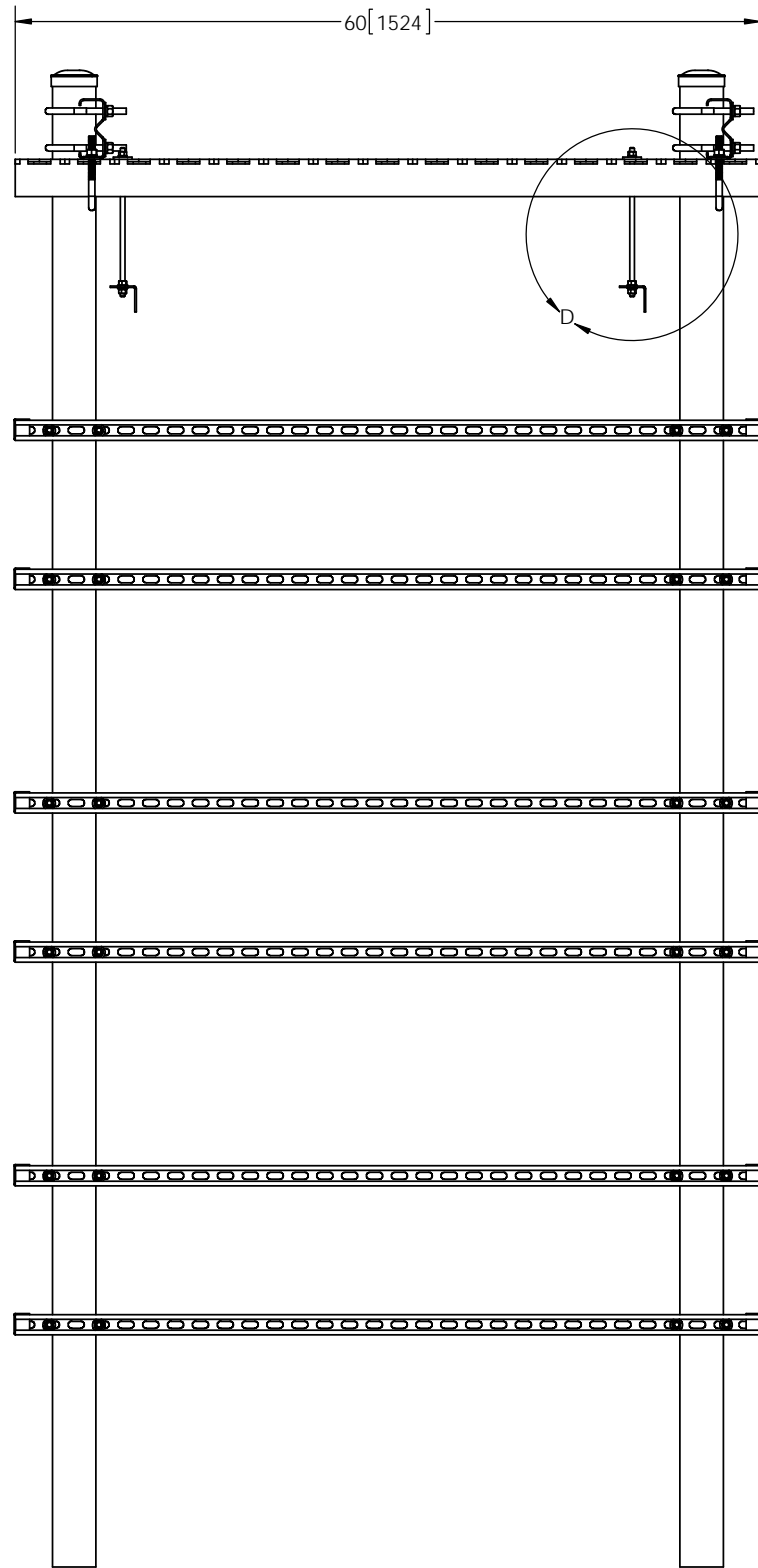




ITEM	PART NO.	DESCRIPTION	QTY.	WEIGHT	NOTE NO.
1	MT-547-120	Ø 3.5" O.D. X 120" PIPE	2	75.36 LBS	
2	MT50460	SQ. SUPPORT RAIL 60" LONG	6	9.27 LBS	
3	PC-034	Ø 3½" PIPE CAP	2	0.54 LBS	
4	GUB-3355	3/8" X 3-5/8" X 5-1/4" GALV U-BOLT	12	0.40 LBS	
5	PTCR01	END CAP	12	0.04 LBS	
6	GWF-03	3/8" GALV FLAT WASHER	8	0.01 LBS	
7	WBLB24308	24" WAVEGUIDE BRIDGE SUPPORT BRACKET	2	7.14 LBS	
8	GUB-4356	1/2" X 3-5/8" X 6" GALV U-BOLT	4	0.81 LBS	
9	WBJB6	1/2" J-BOLT	4	0.41 LBS	
10	GWF-04	1/2" GALV FLAT WASHER	4	0.03 LBS	
11	GWL-04	1/2" GALV LOCK WASHER	4	0.01 LBS	
12	GN-04	1/2" GALV HEX NUT	4	0.04 LBS	
13	MTC9232.05	SAFETY GRATING 24" X 5'	1	55.50 LBS	
14	WBT24302	HORIZONTAL TRAPEZE SECTION	2	2.68 LBS	
15	MT-373	3/8" X 12" SS THREADED ROD	4	0.37 LBS	
16	SWF-03	3/8" SS FLAT WASHER	8	0.007 LBS	
17	SWL-03	3/8" SS LOCK WASHER	8	0.01 LBS	
18	SN-03	3/8" SS HEX NUT	16	0.02 LBS	
19	MT-387	SQUARE WASHER, 1-1/2" X 1-1/2" W/ 7/16" HOLE	8	0.11 LBS	

COMMSCOPE, INC. OF NORTH CAROLINA			
TITLE			
Embedded H-Frame 60"			
SIZE	SCALE	DOCUMENT NO.	
C	1:10	RR-HFBP5	
DRAWING			SHEET
VERSION	STATUS	REVISION	2 OF 4
		B	

© 2015 CommScope, Inc. Confidential

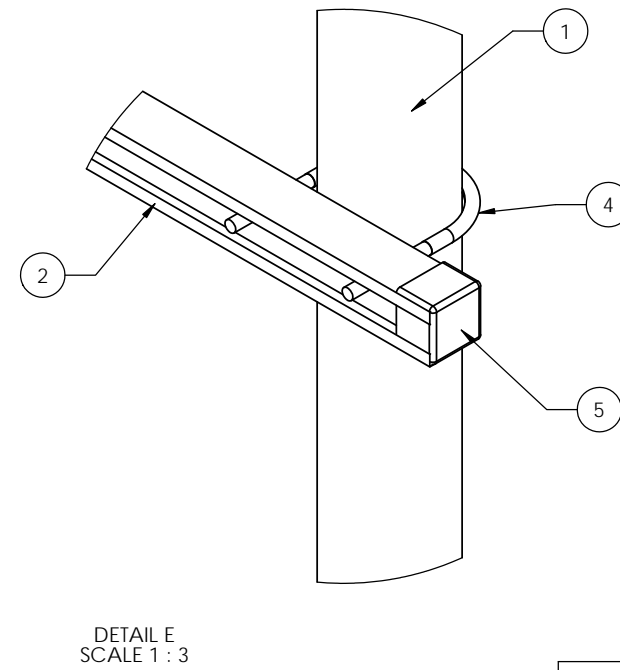
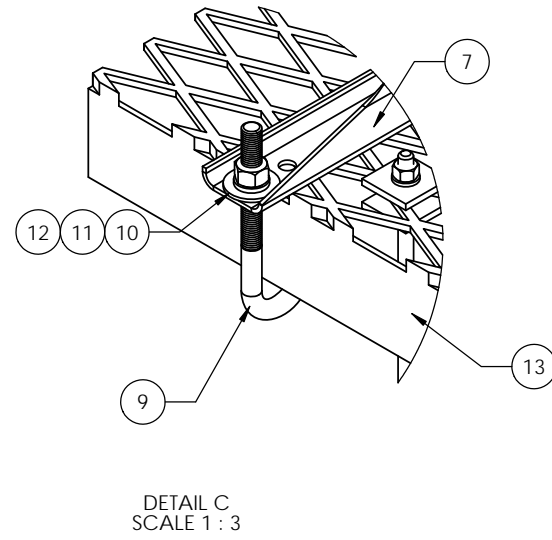
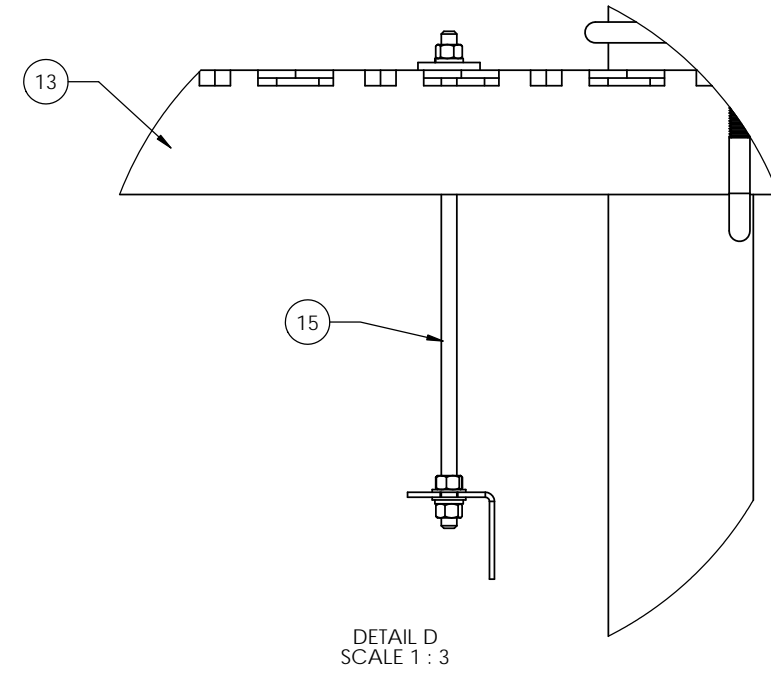
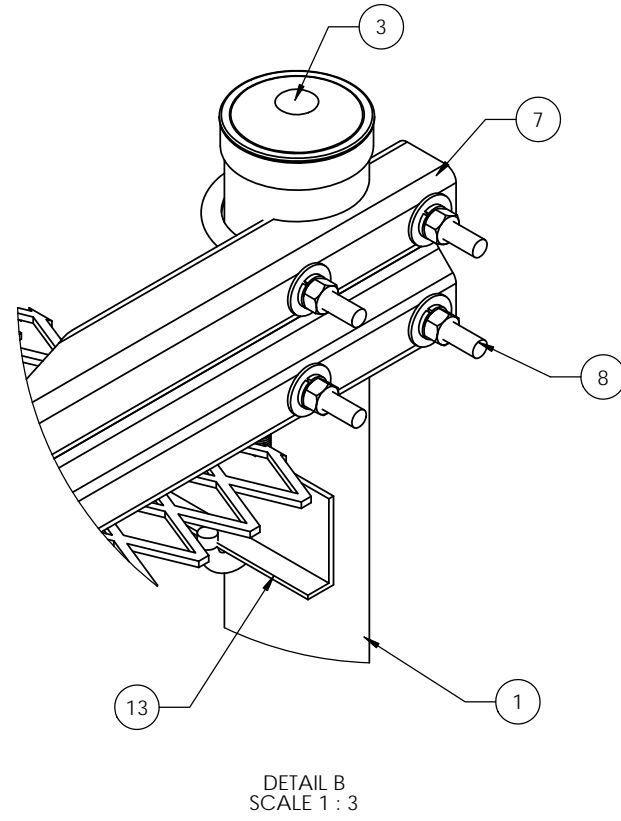
NOTES:



COMMScope, INC. OF NORTH CAROLINA			
TITLE Embedded H-Frame 60"			
SIZE C	SCALE 1:10	DOCUMENT NO. RR-HFBP5	
 		DRAWING	
		VERSION	STATUS
			SHEET 3 OF 4

© 2015 CommScope, Inc. Confidential

NOTES:



COMMSCOPE, INC. OF NORTH CAROLINA			
TITLE Embedded H-Frame 60"			
SIZE C	SCALE 1:10	DOCUMENT NO. RR-HFBP5	
DRAWING			SHEET
VERSION	STATUS	REVISION B	4 OF 4