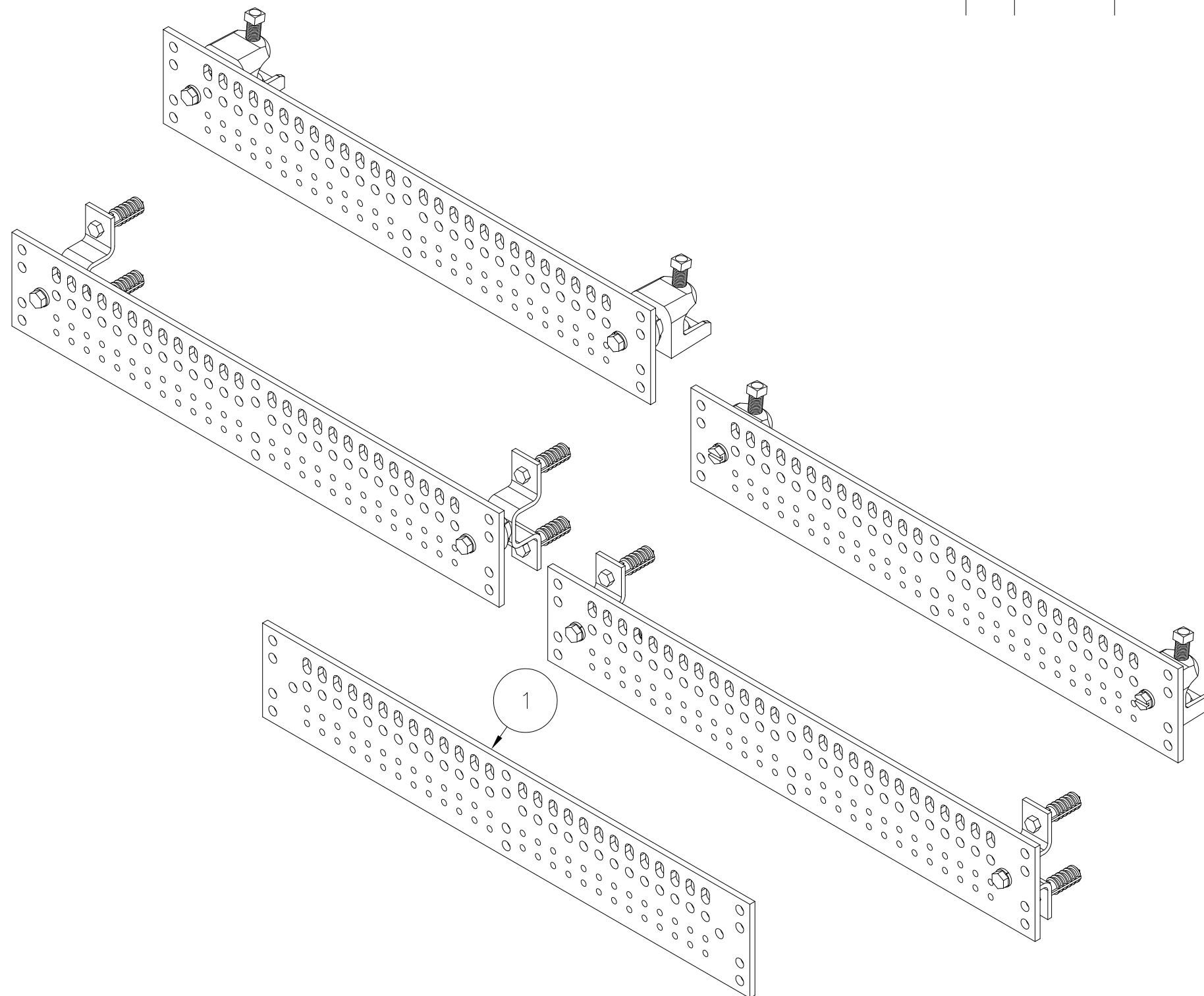


ITEM	PART NUMBER	DESCRIPTION	QTY
1	GB-0424T.01	GND. BUSS BAR 1/4"X4"X24" TINNED	1
2	GB-HKU	UNIVERSAL GND. BAR KIT	1

REVISIONS				
REV.	ECO	DESCRIPTION	BY	DATE
A	MTW	RELEASED	MA	06/08/01
B	MTW	UPDATE PART LIST	ACG	12/06/02



NOTES:

1. SHOWN ARE DIFFERENT METHODS OF GROUND BAR ATTACHMENT USING UNIVERSAL KIT.

These drawings and specifications are the proprietary property of ANDREW CORPORATION and may be used only for the specific purpose authorized in writing by Andrew Corporation. ALL DIMENSIONS ARE IN INCHES U.O.S. TOLERANCES UNLESS OTHERWISE SPECIFIED: .X = ±.06 ANGLES ±2' .XX = ±.03 FRACTIONS ±1/32 .XXX = ±.010 REMOVE BURRS AND BREAK EDGES .005 DO NOT SCALE THIS PRINT	DRAWN BY: MA	DATE: 06/08/01	PART NUMBER: UGBKIT-0424-T
	CHECKED BY: TP	SHEET: 1 OF 1	DESCRIPTION: 1/4"X4"X24" TINNED BUSS BAR KITS
	REVISION: B	SCALE: NTS	Drawing Type: Assembly Drawing
		MATERIAL: N/A	
	FINISH: N/A		

