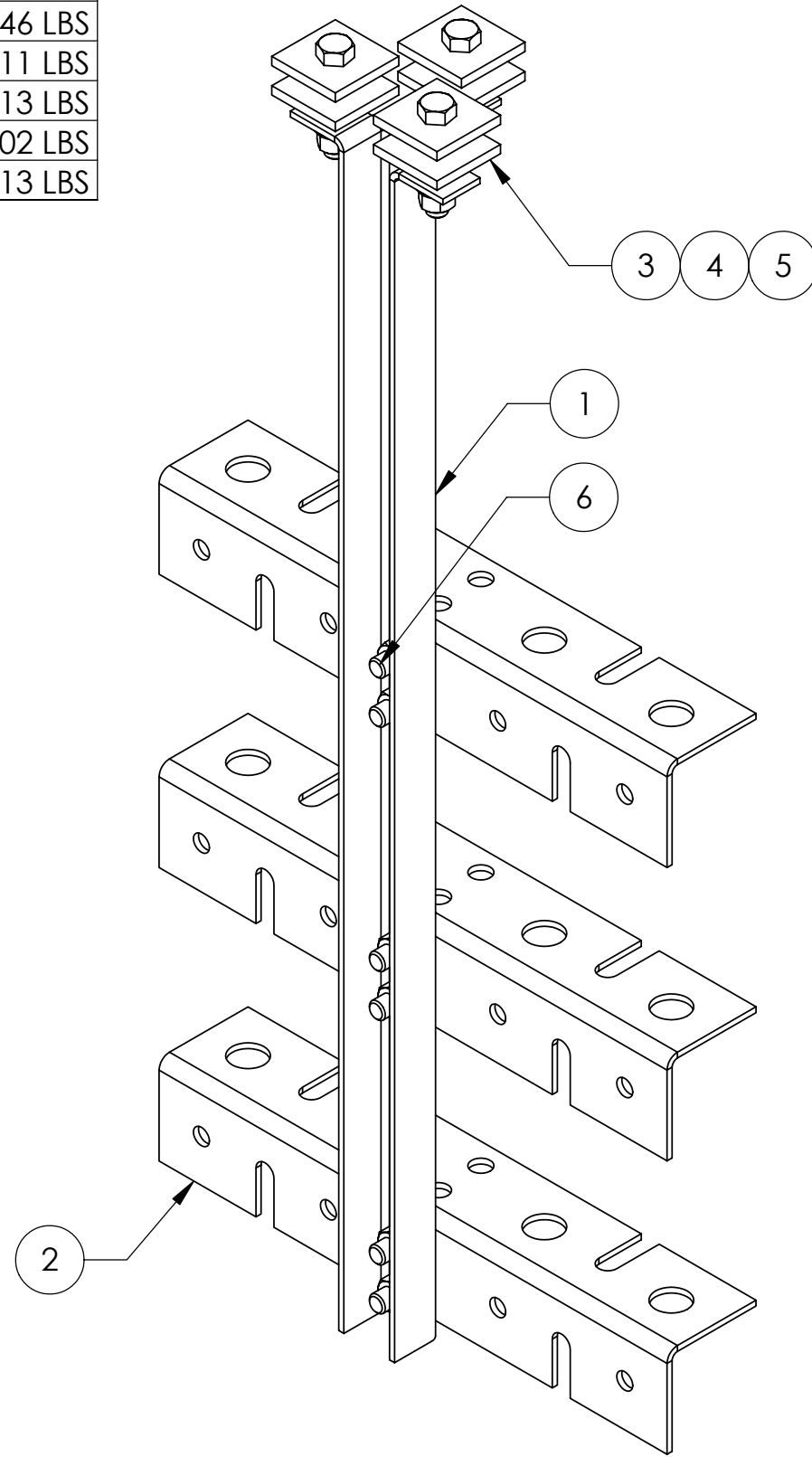


ITEM	PART NO.	DESCRIPTION	QTY.	WEIGHT
1	WBT243.01	VERTICAL TRAPEZE SECTION	1	2.55 LBS
2	WBT123.02	12" HORIZONTAL TRAPEZE SECTION	3	1.46 LBS
3	MT-387	SQUARE WASHER, 1½" X 1½" W/ 7/16" HOLE	6	0.11 LBS
4	GB-03205	3/8" X 2" GALV BOLT KIT	3	0.13 LBS
5	GWF-03	3/8" GALV FLAT WASHER	3	0.02 LBS
6	GB-03105	3/8" X 1" GALV BOLT KIT	6	0.13 LBS

REVISIONS				
REV.	ZONE	DESCRIPTION	BY	DATE
D		REVISED	DI	1/26/05



<p>These drawings and specifications are the proprietary property of ANDREW CORPORATION and may be used only for the specific purpose authorized in writing by Andrew Corporation.</p> <p>ALL DIMENSIONS ARE IN INCHES U.O.S. TOLERANCES UNLESS OTHERWISE SPECIFIED:</p> <p>.X = .06      ANGLES      2° .XX = .03      FRACTIONS      1/32 .XXX = .010</p> <p>REMOVE BURRS AND BREAK EDGES .005</p> <p>DO NOT SCALE THIS PRINT</p>	<p>DRAWN BY: DI</p> <p>CHECKED BY: TP</p> <p>DATE: 01/27/05</p> <p>REVISION: D</p>	<p>SHEET: 1 of 1</p> <p>SCALE: NTS</p> <p>MATERIAL: A36</p> <p>FINISH: GALV A123</p> <p>WEIGHT: 8.43 LBS</p>	<p>PART NUMBER: WB-T12-3</p> <p>DESCRIPTION: TRAPEZE KIT</p> <p>DRAWING TYPE: ASSEMBLY DRAWING</p> <p><b>ANDREW</b>®</p> <p>ORLAND PARK, IL. 60462 U.S.A.</p>
---	--	--	---