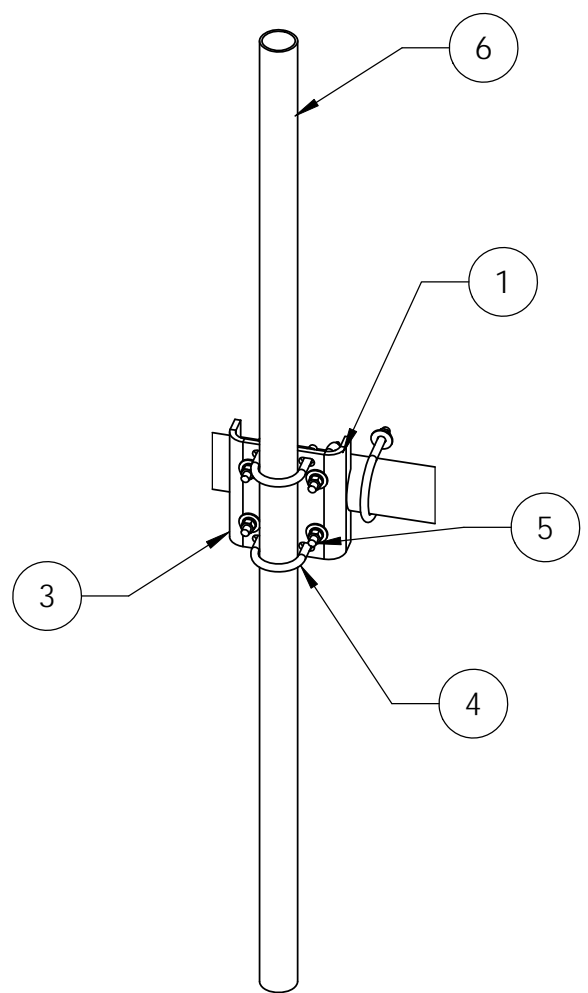


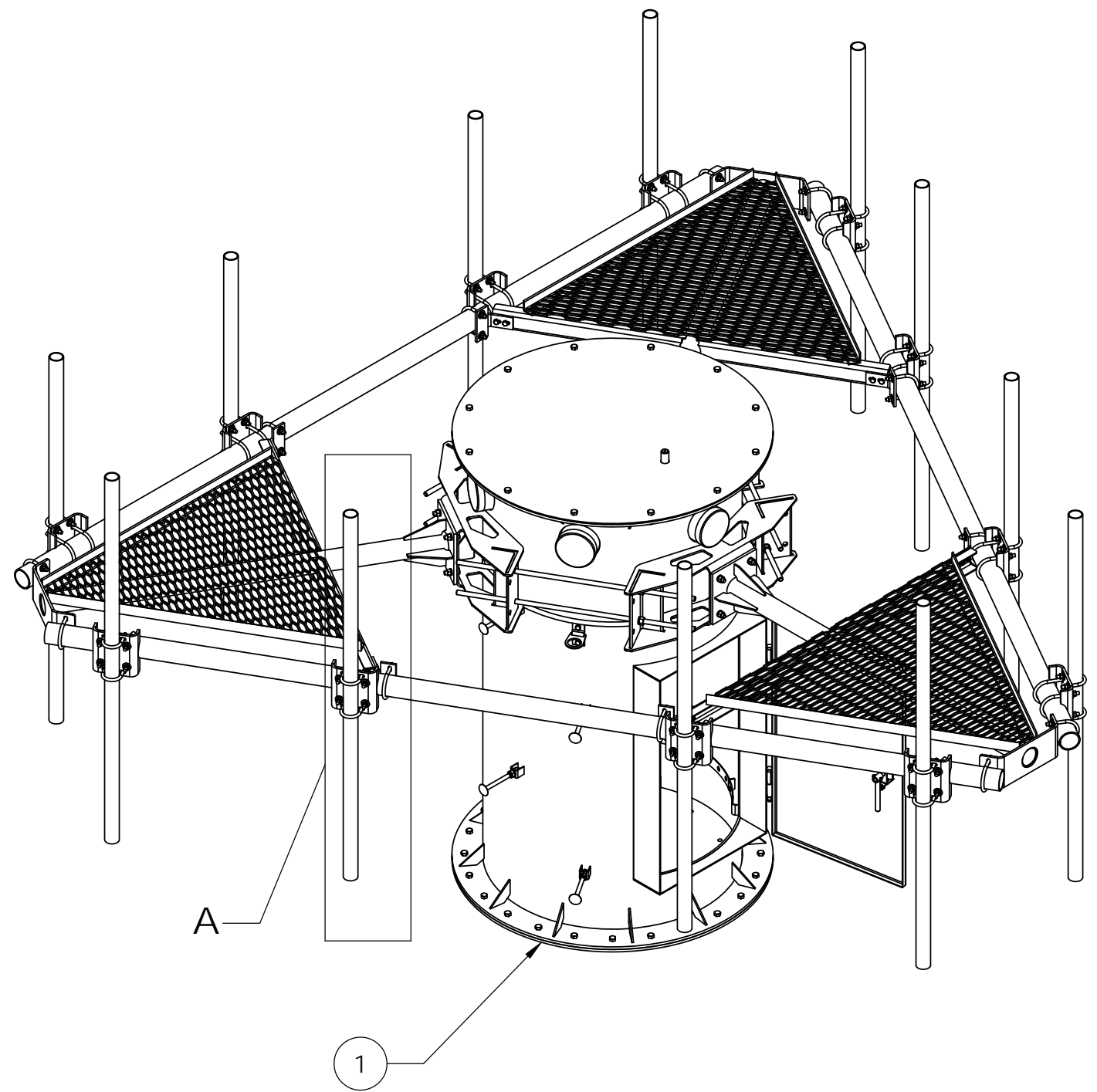
ITEM	PART NO.	DESCRIPTION	QTY.	WEIGHT
1	WT-SPM12-B	Stackable Pod Mount Assembly	1	2773.63 LBS
2	MT-219-H	HARDWARE KIT (Next 3 Items)	-	-
3	MT217.01	PIPE MOUNT PLATE	12	7.93 LBS
4	GUB-4240	1/2" X 2-1/2" X 4" GALV U-BOLT	24	0.56 LBS
5	GUB-4356	1/2" X 3-5/8" X 6" GALV U-BOLT	24	0.82 LBS
6	MT-xxxx	2.375" OD PLAIN END GALV PIPE (SEE TABLE)	12	-

PART NO	PIPE NO	DESCRIPTION	QTY	WEIGHT
WT-SPM12-12-72	MT-651	2-3/8" OD X 72" GALV PIPE	12	3155.3 LBS
WT-SPM12-12-96	MT-651-96	2-3/8" OD X 96" GALV PIPE	12	3242.5 LBS
WT-SPM12-12-126	MT-537	2-3/8" OD X 126" GALV PIPE	12	3355.6 LBS


REVISIONS				
REV.	ZONE	DESCRIPTION	BY	DATE
C		UPDATED POD MOUNT ASSY	ACG	10/24/02
D		UPDATE ITEM 4	ACG	08/28/03
E		REDRAW IN SOLIDWORKS	OGG	09/24/10
F		UPDATE MT19601, RM30-60, BOM	MSM	12/13/12



DETAIL A  
SCALE 1 : 12



NOTES:  
1. ALL METRIC DIMENSIONS ARE IN BRACKETS.

<small>These drawings and specifications are the proprietary property of ANDREW CORPORATION and may be used only for the specific purpose authorized in writing by Andrew Corporation.</small> <b>ALL DIMENSIONS ARE IN INCHES U.O.S.</b> TOLERANCES UNLESS OTHERWISE SPECIFIED: .X = ± .12      ANGLES      ±2° .XX = ± .06      FRACTIONS      ±1/32 .XXX = ± .03 REMOVE BURRS AND BREAK EDGES .005 <b>DO NOT SCALE THIS PRINT</b>	DRAWN BY: <b>OGG</b>	SHEET: 1 of 1	PART NUMBER: <b>WT-SPM12-12SERIES</b>
	CHECKED BY: <b>TP</b>	SCALE: NTS	DESCRIPTION: Pod Mount Assy w/4 pipe Mounts per face
	DATE: 09/23/10	MATERIAL: A36,A500	DRAWING TYPE: ASSEMBLY DRAWING
	REVISION: <b>F</b>	FINISH: GALV A123	 WESTCHESTER, IL. 60154 U.S.A.