

41AENT-GE

TNC Female for 1/4 in FSJ1-50A cable



Product Classification

Product Type	Wireless and radiating connector
Product Brand	HELIAX®
Product Series	FSJ1-50A

General Specifications

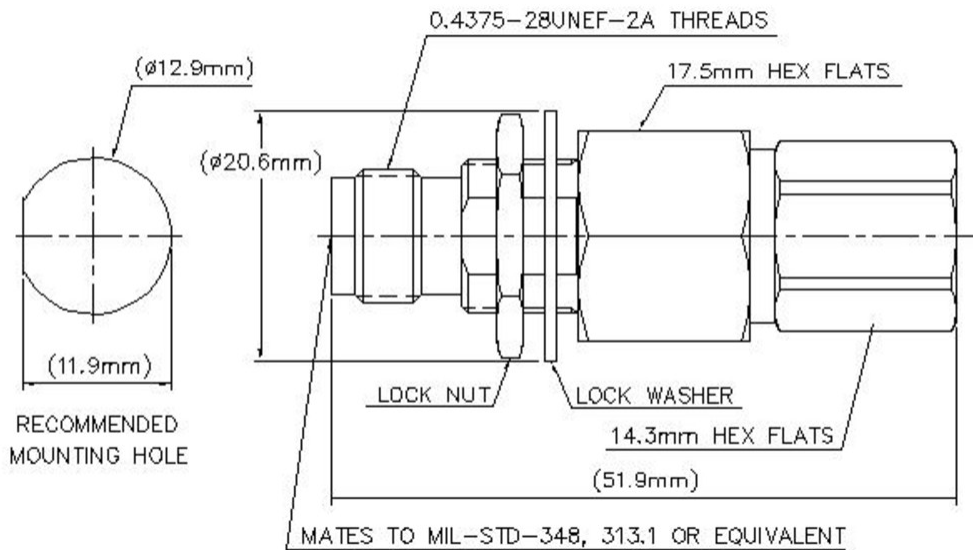
Body Style	Straight
Cable Family	FSJ1-50A
Inner Contact Attachment Method	Captivated
Inner Contact Plating	Gold
Interface	TNC Female
Mounting Angle	Straight
Outer Contact Attachment Method	Tab-flare
Outer Contact Plating	Trimetal
Pressurizable	No

Dimensions

Width	20.57 mm 0.81 in
Length	51.82 mm 2.04 in
Diameter	20.57 mm 0.81 in
Nominal Size	1/4 in

Outline Drawing

41AENT-GE



Electrical Specifications

3rd Order IMD at Frequency	-102 dBm @ 910 MHz
3rd Order IMD Test Method	Two +43 dBm carriers
Average Power at Frequency	396.0 W @ 900 MHz
Cable Impedance	50 ohm
Connector Impedance	50 ohm
dc Test Voltage	1500 V
Inner Contact Resistance, maximum	1.5 mOhm
Insulation Resistance, minimum	5000 MOhm
Operating Frequency Band	0 – 18000 MHz
Outer Contact Resistance, maximum	0.4 mOhm
Peak Power, maximum	5 kW
RF Operating Voltage, maximum (vrms)	500 V
Shielding Effectiveness	-110 dB

VSWR/Return Loss

Frequency Band	VSWR	Return Loss (dB)
45–3600 MHz	1.15	23.13
3600–7200 MHz	1.2	20.83

41AENT-GE

7200–10800 MHz	1.2	20.83
10800–14400 MHz	1.29	17.95
14400–18000 MHz	1.92	10.04

Mechanical Specifications

Attachment Durability	500 cycles
Connector Retention Tensile Force	449.27 N 101 lbf
Insertion Force	27.98 N 6.29 lbf
Insertion Force Method	IEC 61169-17:9.3.5
Interface Durability	500 cycles
Interface Durability Method	IEC 61169-17:17
Mechanical Shock Test Method	IEC 60068-2-27

Environmental Specifications

Operating Temperature	-55 °C to +85 °C (-67 °F to +185 °F)
Storage Temperature	-65 °C to +125 °C (-85 °F to +257 °F)
Attenuation, Ambient Temperature	20 °C 68 °F
Average Power, Ambient Temperature	40 °C 104 °F
Average Power, Inner Conductor Temperature	100 °C 212 °F
Corrosion Test Method	IEC 60068-2-11
Immersion Depth	1 m
Immersion Test Mating	Mated
Immersion Test Method	IEC 60529:2001, IP68
Moisture Resistance Test Method	IEC 60068-2-3
Thermal Shock Test Method	IEC 60068-2-14
Vibration Test Method	IEC 60068-2-6

Packaging and Weights

Weight, net	56.68 g 0.125 lb
--------------------	--------------------

Regulatory Compliance/Certifications

Agency	Classification
ISO 9001:2015	Designed, manufactured and/or distributed under this quality management system

41AENT-GE



* Footnotes

Immersion Depth Immersion at specified depth for 24 hours