

# A5FHF-S

---



4.3-10 Female Connector for 7/8 in AVA5-50 and AVA5-50FX cable

## Product Classification

<b>Product Type</b>	Wireless and radiating connector
<b>Product Brand</b>	HELIAX®

## General Specifications

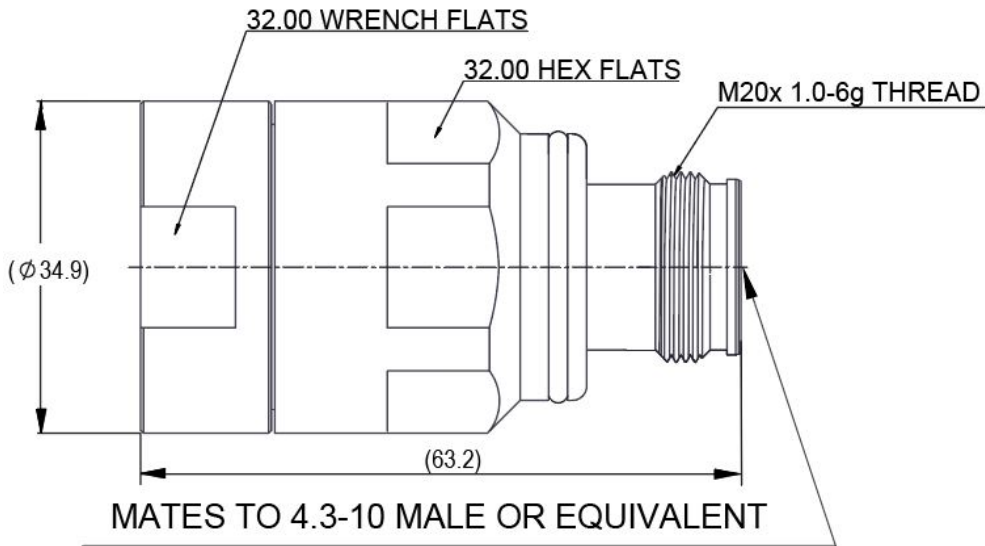
<b>Body Style</b>	Straight
<b>Cable Family</b>	AVA5-50   AVA5-50FX
<b>Harmonized System (HS) Code</b>	85366910 (Coaxial cable and other coaxial electric conductors)
<b>Inner Contact Attachment Method</b>	Captivated
<b>Inner Contact Plating</b>	Silver
<b>Interface</b>	4.3-10 Female
<b>Mounting Angle</b>	Straight
<b>Outer Contact Attachment Method</b>	Clamp
<b>Outer Contact Plating</b>	Trimetal

## Dimensions

<b>Length</b>	63.2 mm   2.488 in
<b>Diameter</b>	34.9 mm   1.374 in
<b>Nominal Size</b>	7/8 in

## Outline Drawing

# A5FHF-S



## Electrical Specifications

<b>3rd Order IMD at Frequency</b>	-117 dBm @ 1800 MHz
<b>3rd Order IMD Test Method</b>	Two +43 dBm carriers
<b>Insertion Loss Coefficient, typical</b>	0.05
<b>Connector Impedance</b>	50 ohm
<b>Operating Frequency Band</b>	0 – 3300 MHz

## VSWR/Return Loss

Frequency Band	VSWR	Return Loss (dB)
<b>0–1000 MHz</b>	1.041	33.94
<b>1000–2700 MHz</b>	1.083	27.99
<b>2700–3800 MHz</b>	1.106	25.96

## Mechanical Specifications

<b>Coupling Nut Proof Torque</b>	10 N-m   88.507 in lb
<b>Interface Durability Method</b>	IEC 61169-4:9.5
<b>Mechanical Shock Test Method</b>	IEC 60068-2-27

## Environmental Specifications

<b>Operating Temperature</b>	-55 °C to +85 °C (-67 °F to +185 °F)
------------------------------	--------------------------------------

# A5FHF-S

---

<b>Storage Temperature</b>	-55 °C to +85 °C (-67 °F to +185 °F)
<b>Attenuation, Ambient Temperature</b>	20 °C   68 °F
<b>Average Power, Ambient Temperature</b>	40 °C   104 °F
<b>Corrosion Test Method</b>	IEC 60068-2-11
<b>Immersion Depth</b>	1 m
<b>Immersion Test Mating</b>	Mated
<b>Immersion Test Method</b>	IEC 60529:2001, IP68
<b>Moisture Resistance Test Method</b>	IEC 60068-2-3
<b>Thermal Shock Test Method</b>	IEC 60068-2-14
<b>Vibration Test Method</b>	IEC 60068-2-6
<b>Water Jetting Test Mating</b>	Mated
<b>Water Jetting Test Method</b>	IEC 60529:2001, IP66

## Packaging and Weights

<b>Weight, net</b>	288 g   0.635 lb
--------------------	------------------

## Regulatory Compliance/Certifications

<b>Agency</b>	<b>Classification</b>
CHINA-ROHS	Above maximum concentration value
ISO 9001:2015	Designed, manufactured and/or distributed under this quality management system
ROHS	Compliant/Exempted
UK-ROHS	Compliant/Exempted



## \* Footnotes

**Insertion Loss Coefficient, typical**  $0.05\sqrt{\text{freq}} \text{ (GHz)}$  (not applicable for elliptical waveguide)

**Immersion Depth** Immersion at specified depth for 24 hours