

# AL7NM-PSA



Type N Male Positive Stop™ for 1-5/8 in cable

## Alternative products available:

AL7NF-PSB	Type N Female Positive Stop™ Black Series for 1-5/8 in AVA7-50 cable
AL7NM-PS	Type N Male Positive Stop™ for 1-5/8 in cable
AL7NM-PSB	Type N Male Positive Stop™ Black Series for 1-5/8 in cable

## Product Classification

<b>Product Type</b>	Wireless and radiating connector
<b>Product Brand</b>	HELIAX®   Positive Stop™
<b>Product Series</b>	AVA7-50   AVA7RK-50
<b>Ordering Note</b>	CommScope® standard product in the United States and Canada

## General Specifications

<b>Body Style</b>	Straight
<b>Inner Contact Attachment Method</b>	Captivated
<b>Inner Contact Plating</b>	Silver
<b>Interface</b>	N Male
<b>Mounting Angle</b>	Straight
<b>Outer Contact Attachment Method</b>	Ring-flare
<b>Outer Contact Plating</b>	Trimetal
<b>Pressurizable</b>	No

## Dimensions

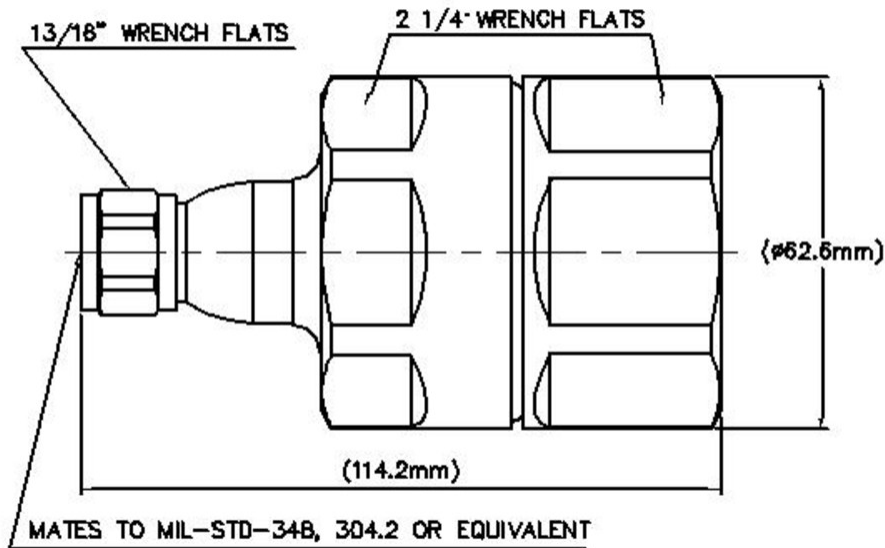
<b>Length</b>	114.3 mm   4.5 in
<b>Diameter</b>	62.74 mm   2.47 in

# AL7NM-PSA

Nominal Size

1-5/8 in

## Outline Drawing



## Electrical Specifications

<b>3rd Order IMD at Frequency</b>	-116 dBm @ 910 MHz
<b>3rd Order IMD Test Method</b>	Two +43 dBm carriers
<b>Insertion Loss Coefficient, typical</b>	0.05
<b>Average Power at Frequency</b>	0.6 kW @ 900 MHz
<b>Cable Impedance</b>	50 ohm
<b>Connector Impedance</b>	50 ohm
<b>dc Test Voltage</b>	2000 V
<b>Inner Contact Resistance, maximum</b>	2 mOhm
<b>Insulation Resistance, minimum</b>	5000 MOhm
<b>Operating Frequency Band</b>	0 – 2700 MHz
<b>Outer Contact Resistance, maximum</b>	0.3 mOhm
<b>Peak Power, maximum</b>	10 kW
<b>RF Operating Voltage, maximum (vrms)</b>	707 V
<b>Shielding Effectiveness</b>	-130 dB

# AL7NM-PSA

---

## VSWR/Return Loss

Frequency Band	VSWR	Return Loss (dB)
45–400 MHz	1.023	38.89
401–805 MHz	1.023	38.89
806–960 MHz	1.023	38.89
961–1709 MHz	1.029	36.9
1710–2170 MHz	1.036	35.05
2170–2399 MHz	1.065	30.04
2400–2700 MHz	1.083	27.99

## Mechanical Specifications

<b>Attachment Durability</b>	25 cycles
<b>Connector Retention Tensile Force</b>	2,224.11 N   500 lbf
<b>Connector Retention Torque</b>	13.56 N-m   119.998 in lb
<b>Coupling Nut Proof Torque</b>	4.52 N-m   39.997 in lb
<b>Coupling Nut Retention Force</b>	444.82 N   100 lbf
<b>Coupling Nut Retention Force Method</b>	MIL-C-39012C-3.25, 4.6.22
<b>Insertion Force</b>	66.72 N   15 lbf
<b>Insertion Force Method</b>	MIL-C-39012C-3.12, 4.6.9
<b>Interface Durability</b>	500 cycles
<b>Interface Durability Method</b>	IEC 61169-16:9.5
<b>Mechanical Shock Test Method</b>	MIL-STD-202F, Method 213B, Test Condition C

## Environmental Specifications

<b>Operating Temperature</b>	-55 °C to +85 °C (-67 °F to +185 °F)
<b>Storage Temperature</b>	-55 °C to +85 °C (-67 °F to +185 °F)
<b>Attenuation, Ambient Temperature</b>	20 °C   68 °F
<b>Average Power, Ambient Temperature</b>	40 °C   104 °F
<b>Corrosion Test Method</b>	MIL-STD-1344A, Method 1001.1, Test Condition A
<b>Immersion Depth</b>	1 m
<b>Immersion Test Mating</b>	Unmated

# AL7NM-PSA

---

<b>Immersion Test Method</b>	IEC 60529:2001, IP68
<b>Moisture Resistance Test Method</b>	MIL-STD-202F, Method 106F
<b>Thermal Shock Test Method</b>	MIL-STD-202F, Method 107G, Test Condition A-1, Low Temperature -55 °C
<b>Vibration Test Method</b>	IEC 60068-2-6
<b>Water Jetting Test Mating</b>	Unmated
<b>Water Jetting Test Method</b>	IEC 60529:2001, IP66

## Packaging and Weights

**Weight, net** 768 g | 1.693 lb

## Regulatory Compliance/Certifications

<b>Agency</b>	<b>Classification</b>
ISO 9001:2015	Designed, manufactured and/or distributed under this quality management system
REACH-SVHC	Compliant as per SVHC revision on <a href="http://www.commscope.com/ProductCompliance">www.commscope.com/ProductCompliance</a>
ROHS	Compliant
UK-ROHS	Compliant

## Included Products

A7TNM-PS – Type N Male Positive Stop™ for 1-5/8 in AVA7-50 cable

## \* Footnotes

**Insertion Loss Coefficient, typical** 0.05√freq (GHz) (not applicable for elliptical waveguide)

**Immersion Depth** Immersion at specified depth for 24 hours