

# CA-DMDF

---



## 7-16 DIN Male to 7-16 DIN Female Adapter

### Product Classification

**Product Type** Adapter

### General Specifications

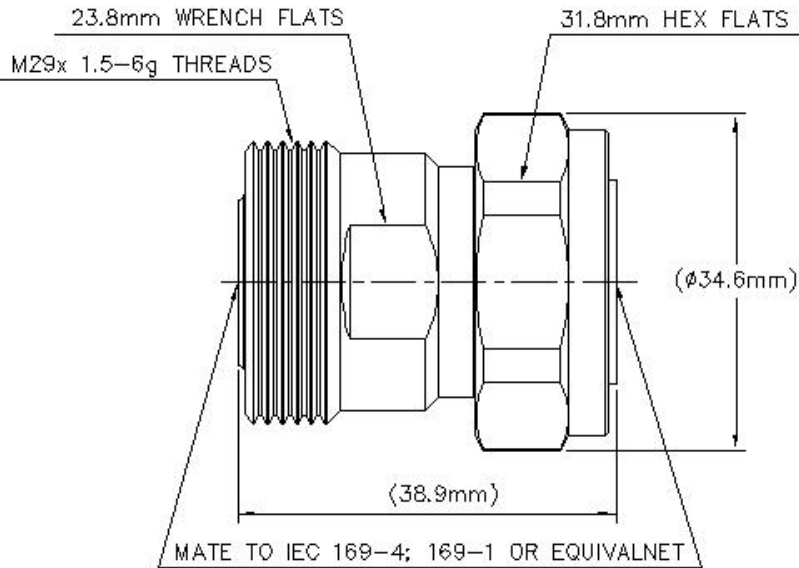
**Body Style** Straight  
**Inner Contact Plating** Silver  
**Interface** 7-16 DIN Male  
**Interface 2** 7-16 DIN Female  
**Outer Contact Plating** Trimetal  
**Pressurizable** No

### Dimensions

**Length** 38.85 mm | 1.53 in  
**Diameter** 34.6 mm | 1.362 in

### Outline Drawing

# CA-DMDF



## Electrical Specifications

<b>Average Power at Frequency</b>	1,300.0 W @ 900 MHz
<b>Connector Impedance</b>	50 ohm
<b>dc Test Voltage</b>	4000 V
<b>Inner Contact Resistance, maximum</b>	0.4 mOhm
<b>Insulation Resistance, minimum</b>	10000 MOhm
<b>Operating Frequency Band</b>	0 – 6000 MHz
<b>Outer Contact Resistance, maximum</b>	1.5 mOhm
<b>Peak Power, maximum</b>	28.8 kW
<b>RF Operating Voltage, maximum (vrms)</b>	1200 V

## VSWR/Return Loss

Frequency Band	VSWR	Return Loss (dB)
0-3000 MHz	1.041	33.94
3000-6000 MHz	1.135	23.98

## Mechanical Specifications

<b>Coupling Nut Proof Torque</b>	50 N-m   442.537 in lb
<b>Coupling Nut Proof Torque Method</b>	IEC 61169-4:9.3.6
<b>Coupling Nut Retention Force</b>	800 N   179.847 lbf

# CA-DMDF

---

<b>Coupling Nut Retention Force Method</b>	IEC 61169-16:9.3.11
<b>Insertion Force</b>	200 N   44.962 lbf
<b>Insertion Force Method</b>	IEC 61169-4:15.2.4
<b>Interface Durability</b>	500 cycles
<b>Interface Durability Method</b>	IEC 61169-4:9.5
<b>Mechanical Shock Test Method</b>	IEC 60068-2-27

## Environmental Specifications

<b>Operating Temperature</b>	-55 °C to +85 °C (-67 °F to +185 °F)
<b>Storage Temperature</b>	-65 °C to +125 °C (-85 °F to +257 °F)
<b>Attenuation, Ambient Temperature</b>	20 °C   68 °F
<b>Average Power, Ambient Temperature</b>	40 °C   104 °F
<b>Average Power, Inner Conductor Temperature</b>	100 °C   212 °F
<b>Climatic Sequence Test Method</b>	IEC 60068-1
<b>Corrosion Test Method</b>	IEC 60068-2-11
<b>Thermal Shock Test Method</b>	IEC 60068-2-14
<b>Vibration Test Method</b>	IEC 60068-2-6

## Packaging and Weights

<b>Weight, net</b>	124.48 g   0.274 lb
--------------------	---------------------

## Regulatory Compliance/Certifications

<b>Agency</b>	<b>Classification</b>
CHINA-ROHS	Below maximum concentration value
ISO 9001:2015	Designed, manufactured and/or distributed under this quality management system
REACH-SVHC	Compliant as per SVHC revision on <a href="http://www.commscope.com/ProductCompliance">www.commscope.com/ProductCompliance</a>
ROHS	Compliant
UK-ROHS	Compliant

