

# MCPT-114158-S

---



Manual Cable Preparation Tool for 1-1/4 in and 1-5/8 in coaxial cable and 4.3-10 connectors

- Only compatible with connectors A6HF-S, A6HM-S, A7HF-S, A7HM-S

## Product Classification

<b>Product Type</b>	Tool
<b>Ordering Note</b>	CommScope® standard product (Global)

## General Specifications

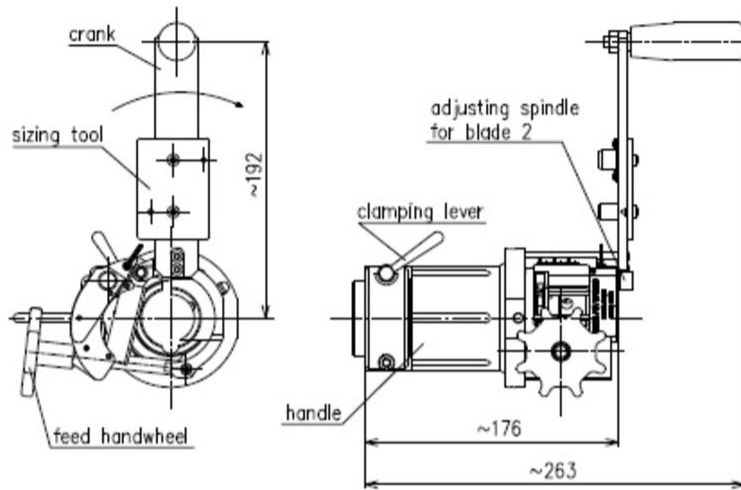
<b>Application</b>	Prepares cable for connector attachment
<b>Cutting Blade Life</b>	200 cable preparations
<b>Cutting Blades Included</b>	1
<b>Jacket Blades Included</b>	1
<b>Tool Type</b>	Manual cable preparation tool

## Dimensions

<b>Nominal Size</b>	1-1/4 in   1-5/8 in
---------------------	---------------------

# MCPT-114158-S

## Outline Drawing



## Material Specifications

**Material Type** Aluminum

## Packaging and Weights

<b>Height, packed</b>	279.4 mm   11 in
<b>Width, packed</b>	114.3 mm   4.5 in
<b>Length, packed</b>	299.72 mm   11.8 in
<b>Packaging quantity</b>	1
<b>Weight, gross</b>	1.8 kg   3.968 lb

# MCPT-114158-S

---

## Regulatory Compliance/Certifications

<b>Agency</b>	<b>Classification</b>
CHINA-ROHS	Below maximum concentration value
ISO 9001:2015	Designed, manufactured and/or distributed under this quality management system
REACH-SVHC	Compliant as per SVHC revision on <a href="http://www.commscope.com/ProductCompliance">www.commscope.com/ProductCompliance</a>
ROHS	Compliant
UK-ROHS	Compliant/Exempted

