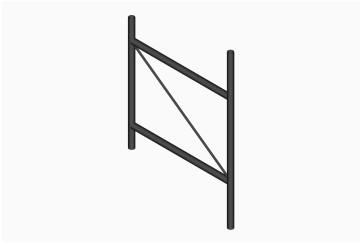


# P-400

---



Panel Antenna Stand-Off Bracket, 48 in

## Product Classification

**Product Type** Stand-off mount

## General Specifications

**Note** One 72 in x 8 in panel antenna per sector

## Dimensions

**Height** 1778 mm | 70 in

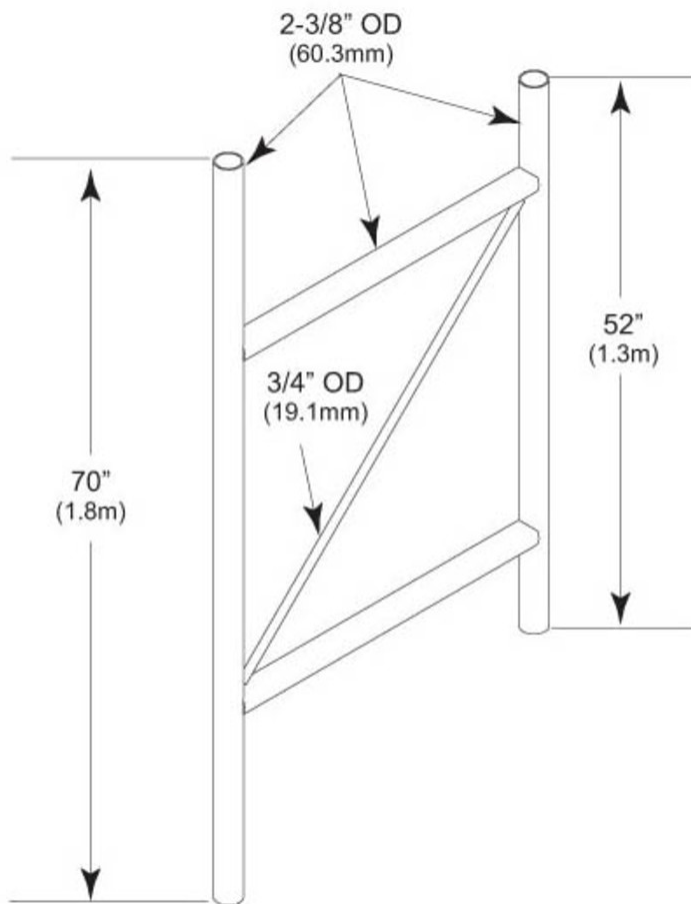
**Width** 76.2 mm | 3 in

**Length** 1,219.2 mm | 48 in

**Stand-off Distance** 1,219.2 mm | 48 in

# P-400

## Outline Drawing



## Material Specifications

**Material Type** Hot dip galvanized steel

## Mechanical Specifications

**Wind Rating** 120 mph (BWS) at 150 ft AGL

**Wind Rating Test Method** TIA/EIA-222

## Packaging and Weights

**Included** Stand-off

**Packaging quantity** 1

# P-400

---

**Weight, net**

31.9 kg | 70.327 lb

## Regulatory Compliance/Certifications

**Agency**

ISO 9001:2015



**Classification**

Designed, manufactured and/or distributed under this quality management system

## \* Footnotes

**Wind Rating**

BWS—Base Wind Speed; FBC—Florida Building Code