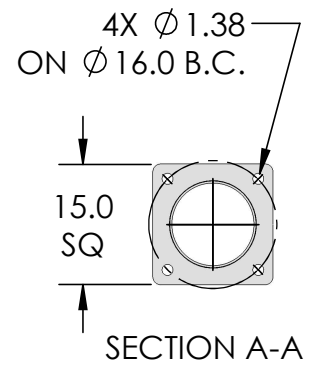
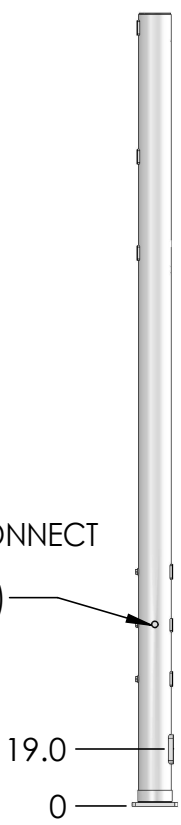
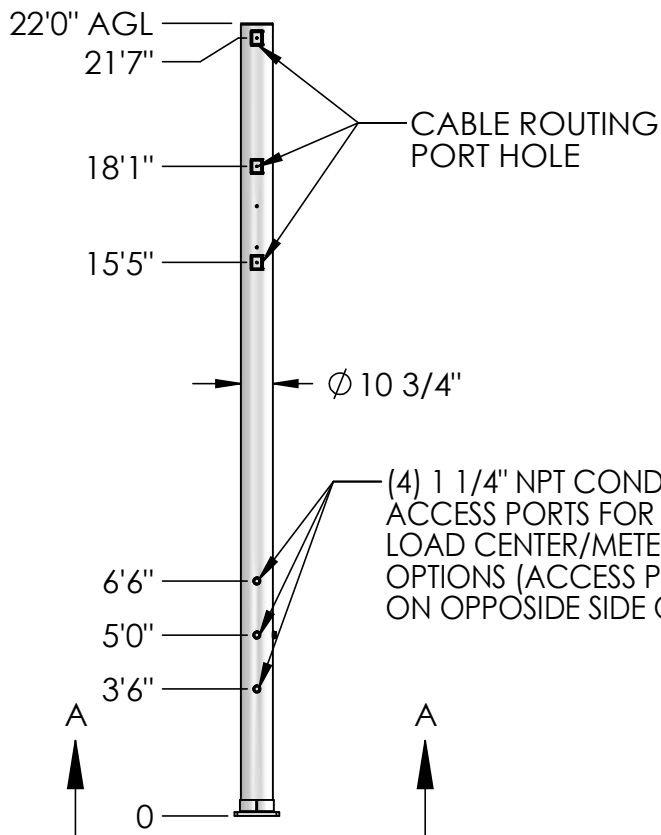


REVISIONS			
REV.	DESCRIPTION	BY	DATE
A	INITIAL RELEASE	MJP	09/18/2019



**22FT AGL**

<p>These drawings and specifications are the proprietary property of CommScope Inc. and may be used only for the specific purpose authorized in writing by CommScope Inc.</p> <p>ALL DIMENSIONS ARE IN INCHES U.O.S. TOLERANCES UNLESS OTHERWISE SPECIFIED:</p> <table border="0"> <tr> <td>.X = ±</td> <td>.12</td> <td>ANGLES</td> <td>±2°</td> </tr> <tr> <td>.XX = ±</td> <td>.06</td> <td>FRACTIONS</td> <td>±1/32</td> </tr> <tr> <td>.XXX = ±</td> <td>.031</td> <td></td> <td></td> </tr> </table> <p>REMOVE BURRS AND BREAK EDGES .005</p> <p>DO NOT SCALE THIS PRINT</p>	.X = ±	.12	ANGLES	±2°	.XX = ±	.06	FRACTIONS	±1/32	.XXX = ±	.031			DRAWN BY: MJP	SHEET: 1 of 2	PART NUMBER: 860649813 CUT SHEET
	.X = ±	.12	ANGLES	±2°											
	.XX = ±	.06	FRACTIONS	±1/32											
	.XXX = ±	.031													
CHECKED BY:	SCALE:	DESCRIPTION: METRO CELL, POLE SOLUTION, 10.75" DIA													
DATE:	MATERIAL:	DRAWING TYPE:													
REVISION: <b>A</b>	FINISH:														

REVISIONS			
REV.	DESCRIPTION	BY	DATE
A	INITIAL RELEASE	MJP	09/18/2019

25'0" AGL  
24'7"

CABLE ROUTING  
PORT HOLE

18'1"

CABLE ROUTING  
PORT HOLE

15'5"

Ø 10 3/4"

(4) 1 1/4" NPT CONDUIT  
ACCESS PORTS FOR  
LOAD CENTER/METER/DISCONNECT  
OPTIONS (ACCESS PORTS  
ON OPPOSITE SIDE OF POLE)

6'6"

5'0"

3'6"

A

A

0

25FT AGL

4X Ø 1.38  
ON Ø 16.0 B.C.

15.0  
SQ

SECTION A-A

19.0

0

These drawings and specifications are the proprietary property of CommScope Inc. and may be used only for the specific purpose authorized in writing by CommScope Inc.

DRAWN BY:  
MJP

SHEET:  
1 of 1

PART NUMBER:  
860649813 CUT SHEET

ALL DIMENSIONS ARE IN INCHES U.O.S.  
TOLERANCES UNLESS OTHERWISE SPECIFIED:

.X = ±	.12	ANGLES	±2°
.XX = ±	.06	FRACTIONS	±1/32
.XXX = ±	.031		

REMOVE BURRS AND BREAK EDGES .005

DO NOT SCALE THIS PRINT

CHECKED BY:

SCALE:

DESCRIPTION:

METRO CELL, POLE SOLUTION, 10.75" DIA

DATE:

MATERIAL:

DRAWING TYPE:

REVISION:

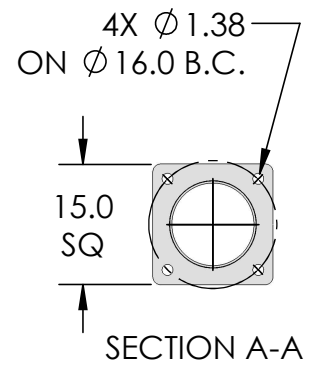
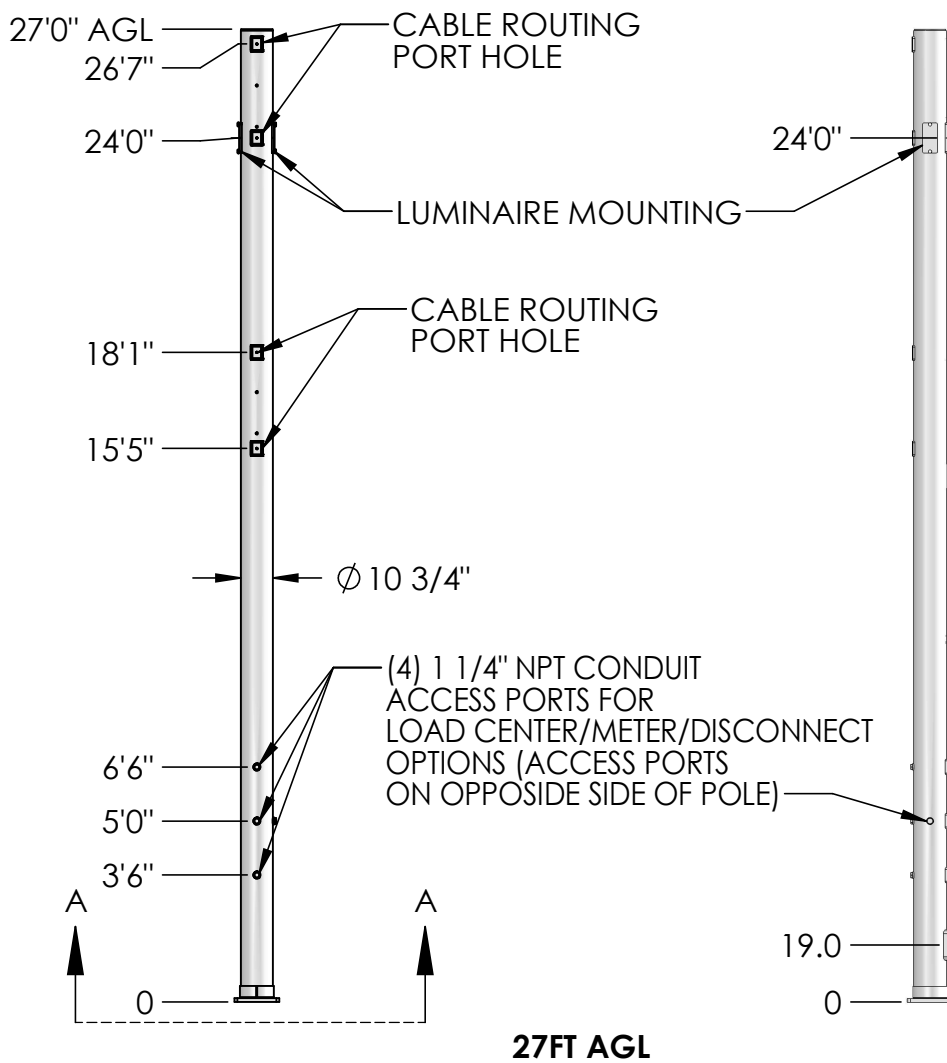
FINISH:

A

WEIGHT:

**COMMSCOPE®**

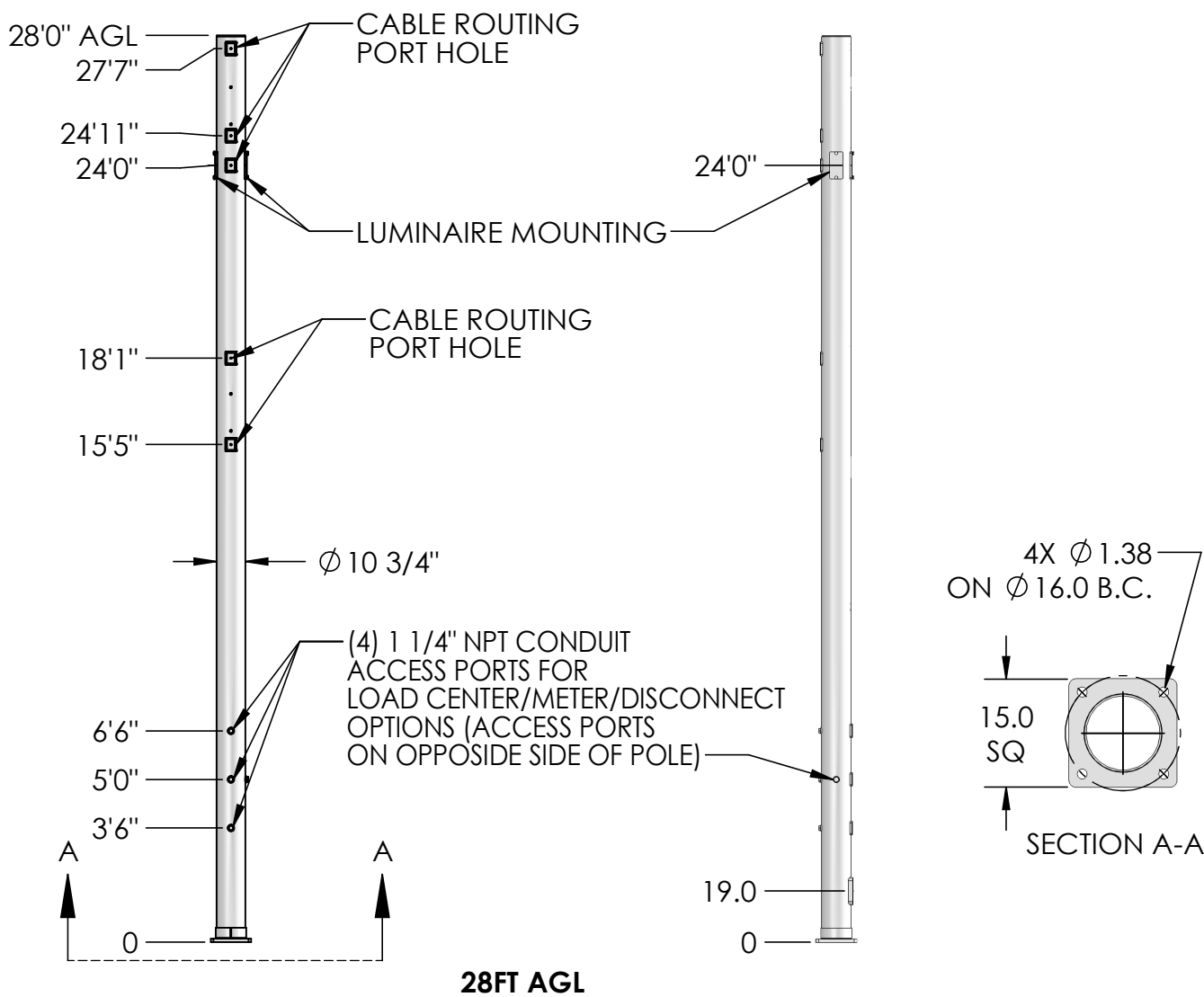
REVISIONS			
REV.	DESCRIPTION	BY	DATE
A	INITIAL RELEASE	MJP	09/18/2019



**27FT AGL**

<p>These drawings and specifications are the proprietary property of CommScope Inc. and may be used only for the specific purpose authorized in writing by CommScope Inc.</p> <p>ALL DIMENSIONS ARE IN INCHES U.O.S. TOLERANCES UNLESS OTHERWISE SPECIFIED:</p> <table> <tr> <td>.X = ±</td> <td>.12</td> <td>ANGLES</td> <td>±2°</td> </tr> <tr> <td>.XX = ±</td> <td>.06</td> <td>FRACTIONS</td> <td>±1/32</td> </tr> <tr> <td>.XXX = ±</td> <td>.031</td> <td></td> <td></td> </tr> </table> <p>REMOVE BURRS AND BREAK EDGES .005</p> <p>DO NOT SCALE THIS PRINT</p>	.X = ±	.12	ANGLES	±2°	.XX = ±	.06	FRACTIONS	±1/32	.XXX = ±	.031			DRAWN BY: MJP	SHEET: 1 of 1	PART NUMBER: 860649813 CUT SHEET
	.X = ±	.12	ANGLES	±2°											
	.XX = ±	.06	FRACTIONS	±1/32											
	.XXX = ±	.031													
	CHECKED BY:	SCALE:	DESCRIPTION: METRO CELL, POLE SOLUTION, 10.75" DIA												
DATE:	MATERIAL:	DRAWING TYPE:													
REVISION: A	FINISH:														
	WEIGHT:														

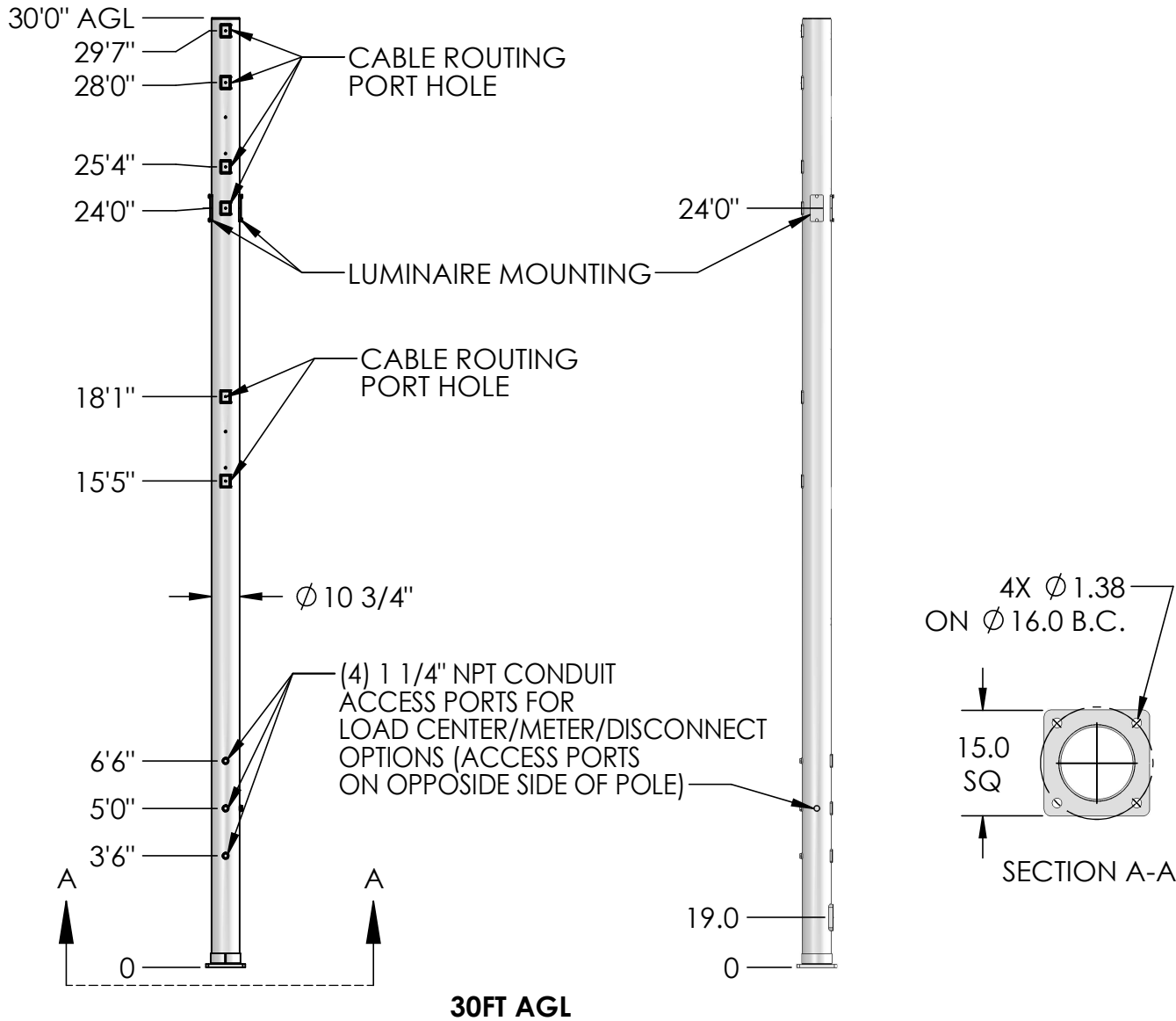
REVISIONS			
REV.	DESCRIPTION	BY	DATE
A	INITIAL RELEASE	MJP	09/18/2019



**28FT AGL**

<p>These drawings and specifications are the proprietary property of CommScope Inc. and may be used only for the specific purpose authorized in writing by CommScope Inc.</p> <p>ALL DIMENSIONS ARE IN INCHES U.O.S. TOLERANCES UNLESS OTHERWISE SPECIFIED:</p> <p>.X = ± .12      ANGLES      ±2° .XX = ± .06      FRACTIONS      ±1/32 .XXX = ± .031</p> <p>REMOVE BURRS AND BREAK EDGES .005</p> <p>DO NOT SCALE THIS PRINT</p>	DRAWN BY: MJP	SHEET: 4 of 2	PART NUMBER: 860649813 CUT SHEET
	CHECKED BY:	SCALE:	DESCRIPTION: METRO CELL, POLE SOLUTION, 10.75" DIA
	DATE:	MATERIAL:	DRAWING TYPE:
	REVISION: A	FINISH: WEIGHT:	

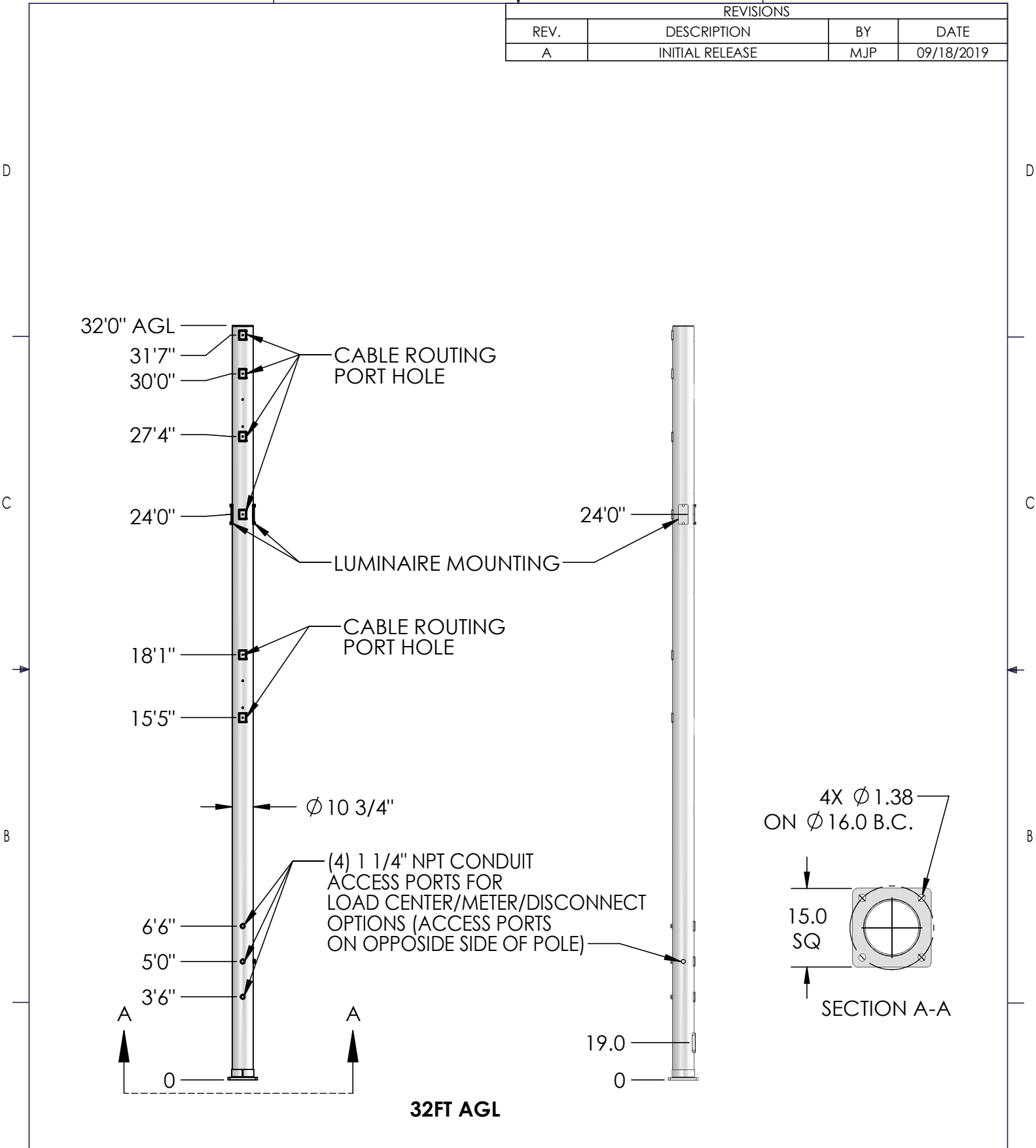
REVISIONS			
REV.	DESCRIPTION	BY	DATE
A	INITIAL RELEASE	MJP	09/18/2019



<p>These drawings and specifications are the proprietary property of CommScope Inc. and may be used only for the specific purpose authorized in writing by CommScope Inc.</p> <p>ALL DIMENSIONS ARE IN INCHES U.O.S. TOLERANCES UNLESS OTHERWISE SPECIFIED:</p> <p>.X = ± .12 ANGLES ±2°</p> <p>.XX = ± .06 FRACTIONS ±1/32</p> <p>.XXX = ± .031</p> <p>REMOVE BURRS AND BREAK EDGES .005</p> <p>DO NOT SCALE THIS PRINT</p>	<p>DRAWN BY: MJP</p>	<p>SHEET: 1 of 1</p>	<p>PART NUMBER: 860649813 CUT SHEET</p>
	<p>CHECKED BY:</p>	<p>SCALE:</p>	<p>DESCRIPTION: METRO CELL, POLE SOLUTION, 10.75" DIA</p>
	<p>DATE:</p>	<p>MATERIAL:</p>	<p>DRAWING TYPE:</p>
	<p>REVISION: A</p>	<p>FINISH:</p>	<p>WEIGHT:</p>

**COMMSCOPE®**

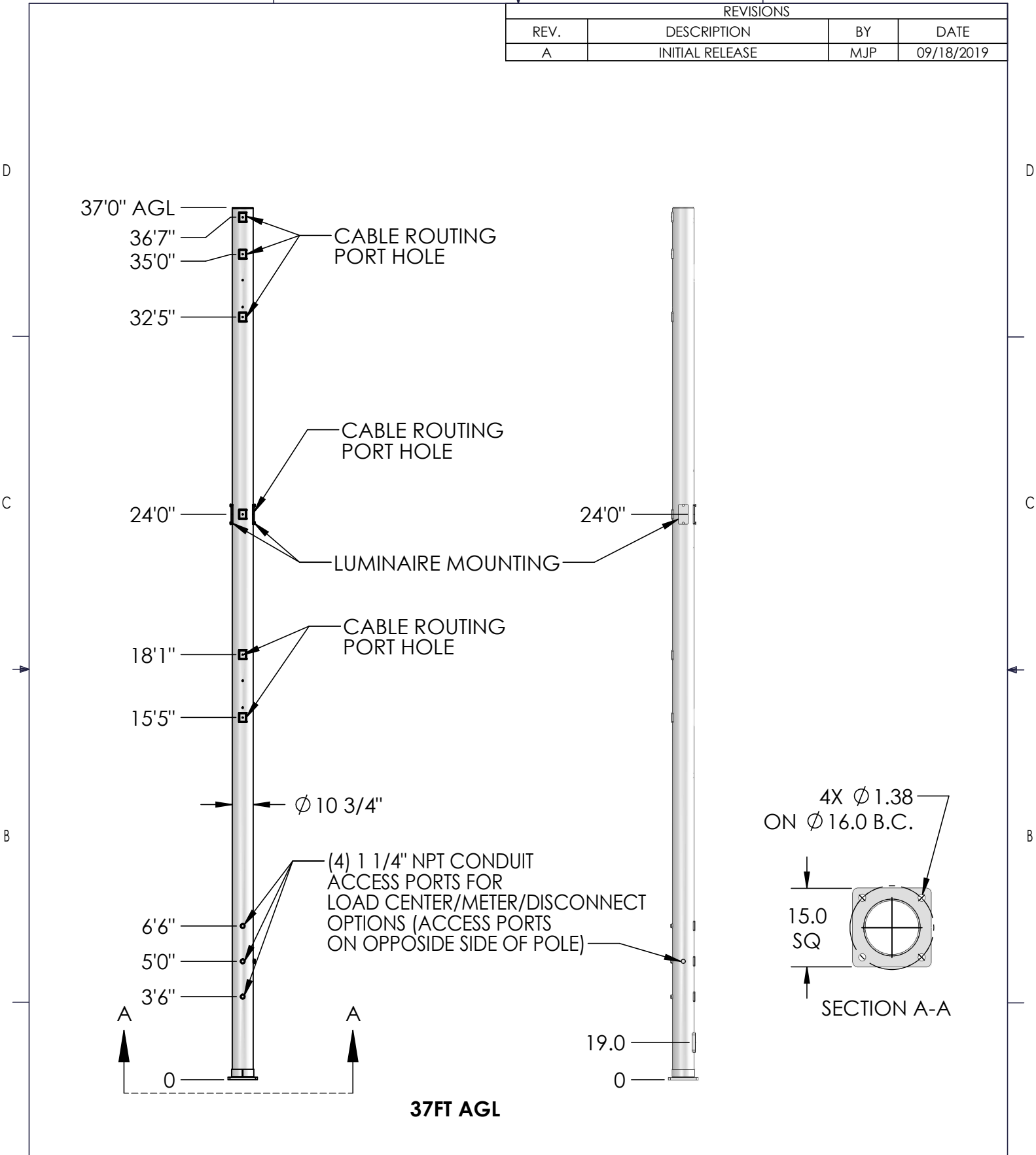
REVISIONS			
REV.	DESCRIPTION	BY	DATE
A	INITIAL RELEASE	MJP	09/18/2019



<p>These drawings and specifications are the proprietary property of CommScope Inc. and may be used only for the specific purpose authorized in writing by CommScope Inc.</p> <p>ALL DIMENSIONS ARE IN INCHES U.O.S. TOLERANCES UNLESS OTHERWISE SPECIFIED:</p> <p>.X = ± .12 ANGLES ±2°          .XX = ± .06 FRACTIONS ±1/32          .XXX = ± .031</p> <p>REMOVE BURRS AND BREAK EDGES .005</p> <p>DO NOT SCALE THIS PRINT</p>	<p>DRAWN BY: MJP</p>	<p>SHEET: 1 of 1</p>	<p>PART NUMBER: 860649813 CUT SHEET</p>
	<p>CHECKED BY:</p>	<p>SCALE:</p>	<p>DESCRIPTION: METRO CELL, POLE SOLUTION, 10.75" DIA</p>
	<p>DATE:</p>	<p>MATERIAL:</p>	<p>DRAWING TYPE:</p>
	<p>REVISION: A</p>	<p>FINISH:</p>	<p>WEIGHT:</p>

COMMSCOPE®

REVISIONS			
REV.	DESCRIPTION	BY	DATE
A	INITIAL RELEASE	MJP	09/18/2019



These drawings and specifications are the proprietary property of CommScope Inc. and may be used only for the specific purpose authorized in writing by CommScope Inc.

ALL DIMENSIONS ARE IN INCHES U.O.S. TOLERANCES UNLESS OTHERWISE SPECIFIED:

.X = ±	.12	ANGLES	±2°
.XX = ±	.06	FRACTIONS	±1/32
.XXX = ±	.031		

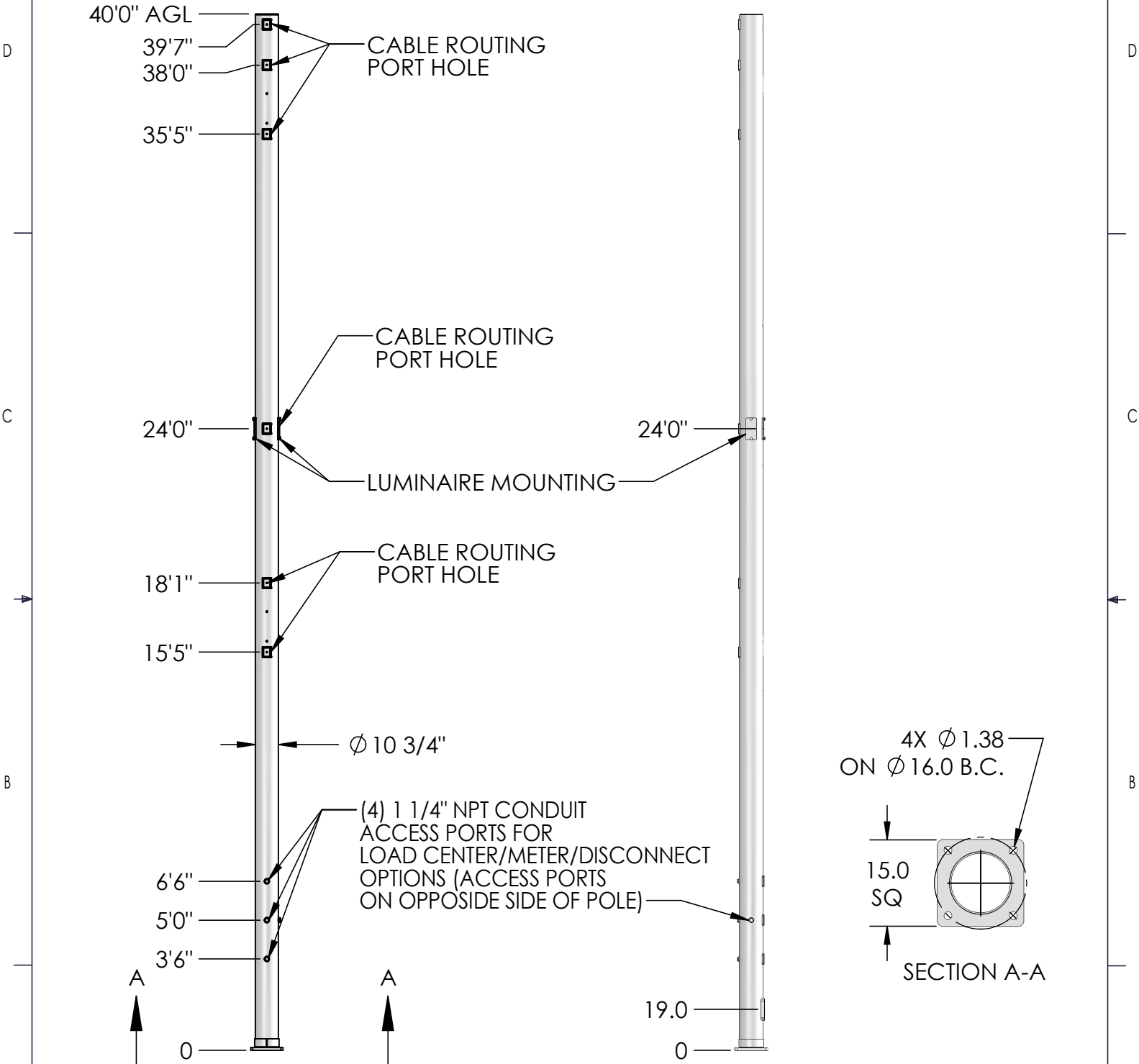
REMOVE BURRS AND BREAK EDGES .005

DO NOT SCALE THIS PRINT

DRAWN BY: MJP	SHEET: 1 of 1	PART NUMBER: 860649813 CUT SHEET
CHECKED BY:	SCALE:	DESCRIPTION: METRO CELL, POLE SOLUTION, 10.75" DIA
DATE:	MATERIAL:	DRAWING TYPE:
REVISION: A	FINISH:	
	WEIGHT:	

**COMMSCOPE®**

REVISIONS			
REV.	DESCRIPTION	BY	DATE
A	INITIAL RELEASE	MJP	09/18/2019



<p>These drawings and specifications are the proprietary property of CommScope Inc. and may be used only for the specific purpose authorized in writing by CommScope Inc.</p> <p>ALL DIMENSIONS ARE IN INCHES U.O.S. TOLERANCES UNLESS OTHERWISE SPECIFIED:</p> <p>.X = ± .12 ANGLES ±2°</p> <p>.XX = ± .06 FRACTIONS ±1/32</p> <p>.XXX = ± .031</p> <p>REMOVE BURRS AND BREAK EDGES .005</p> <p>DO NOT SCALE THIS PRINT</p>	<p>DRAWN BY: MJP</p>	<p>SHEET: 1 of 1</p>	<p>PART NUMBER: 860649813 CUT SHEET</p>
	<p>CHECKED BY:</p>	<p>SCALE:</p>	<p>DESCRIPTION: METRO CELL, POLE SOLUTION, 10.75" DIA</p>
	<p>DATE:</p>	<p>MATERIAL:</p>	<p>DRAWING TYPE:</p>
	<p>REVISION: A</p>	<p>FINISH:</p>	<p>WEIGHT:</p>

